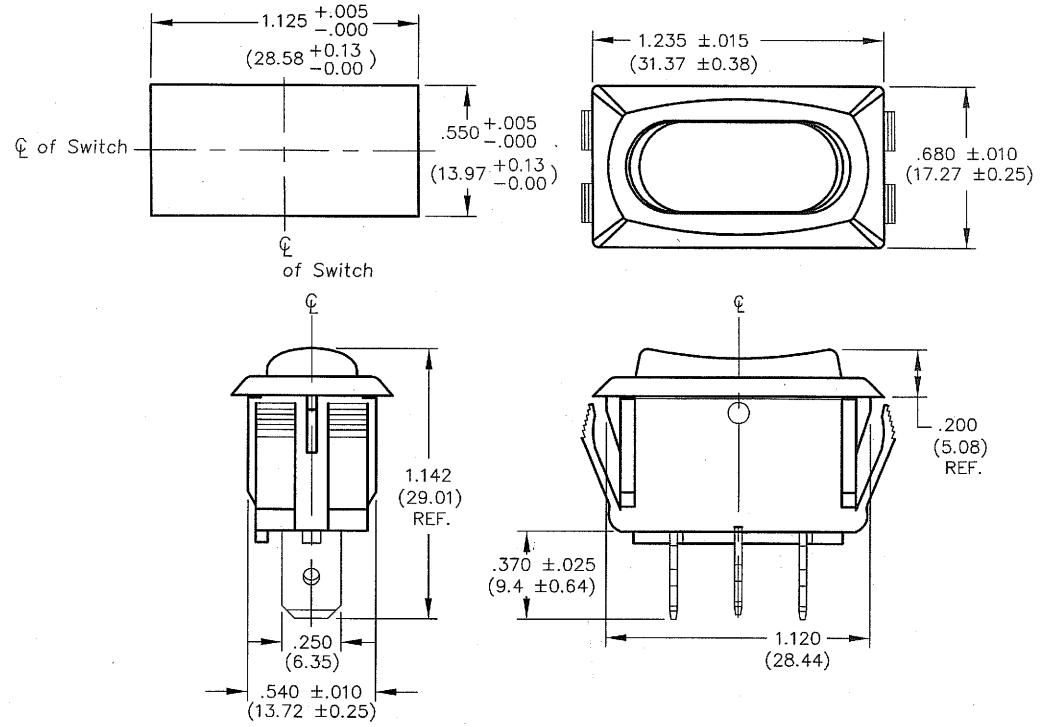


E  
D  
C  
B  
A

DIMENSIONS IN INCHES (MILLIMETERS)  
DO NOT SCALE DRAWING .....

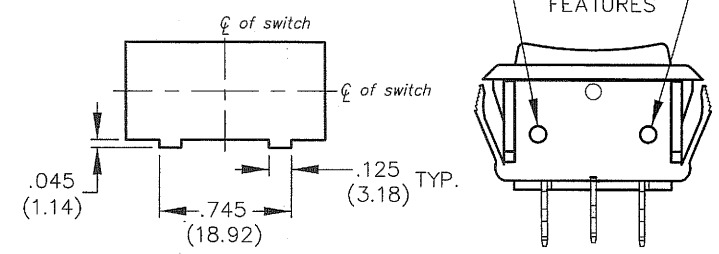
Dwg. No.  
GRS-2013A-24XX

**PANEL PIERCING**

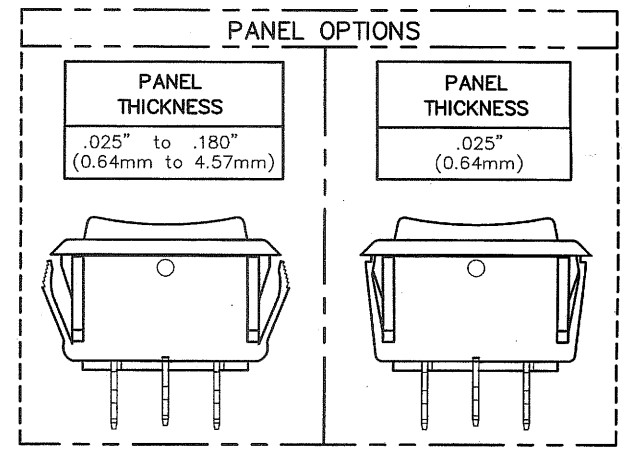


**POLARIZED OPTION**

**POLARIZED PANEL PIERCING**



**PANEL OPTIONS**



(MATTE FINISH)

**TERMINAL OPTIONS:**  
.250" Wide Terminal is standard.  
(As Shown in Drawing)  
.187" Wide Terminal is optional.

1 2 3 4 5 6 7 8 9 10

B-FORMAT 2002	REVISIONS	0	
	RELEASED:	28	2010
	DGW	06145	2010

PDF FILE MADE	<b>CW INDUSTRIES</b> Southampton, Pa. 18966
	TOLERANCES: UNLESS OTHERWISE SPECIFIED
	2 Place Decimal ±.010 METRIC
	3 Place Decimal ±.005 1 Place Dec. ±.25mm
	Angles ..... ±1° 2 Place Dec. ±.13mm
Made for: CW IND.	Division:
Drawn by: DGW 7-28-2010	SWITCH
Checked by: G. Gold 8-16-10	Dwg. No.
Approval: <i>[Signature]</i> 8-18-10	GRS-2013A-24XX

Title: CENTER OFF ROCKER SWITCH ASSEMBLY STYLE LINE 1.125" x .550" PANEL
---

**MASTER**