

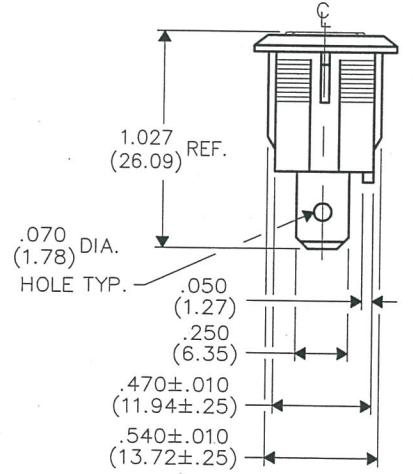
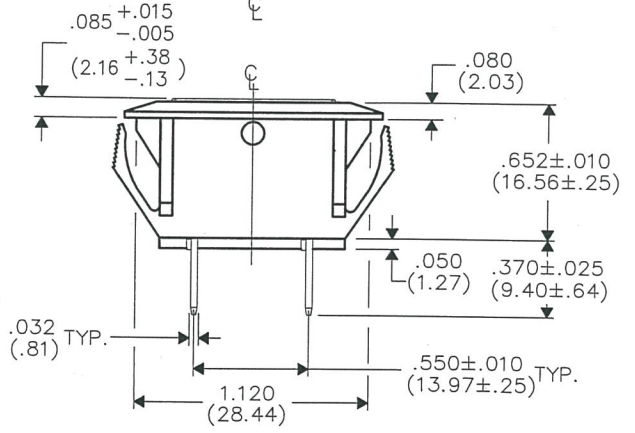
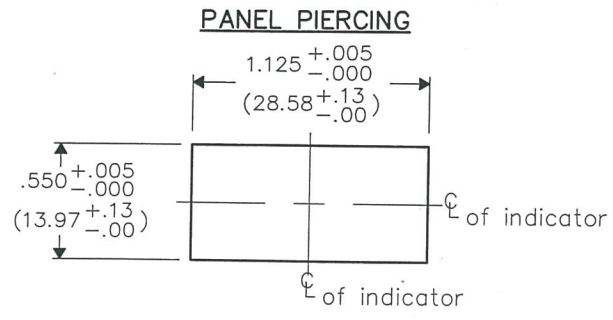
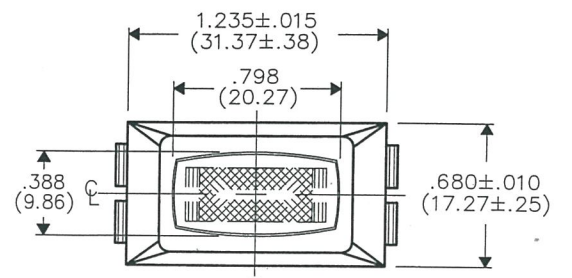
F
 D
 C
 B
 A

THIS INFORMATION IS CONFIDENTIAL AND PROPRIETARY TO CW INDUSTRIES INCORPORATED AND ITS AFFILIATES. IT MAY NOT BE DISCLOSED TO ANYONE OTHER THAN CW INDUSTRIES PERSONNEL, WITHOUT WRITTEN AUTHORIZATION FROM CW INDUSTRIES INCORPORATED, SOUTHAMPTON, PENNSYLVANIA, USA.

DIMENSIONS IN INCHES (MILLIMETERS)
 DO NOT SCALE DRAWING

Dwg. No. **GIL-2000-2017 Thru -2025**

Sheet 1 of 2



MATERIALS:

HOUSING: Black, Nylon 6/6 UL94V2
 TERMINALS: Copper Alloy
 LENS: Polycarbonate UL94V2
 Red, Amber or Green Options available.

SPECIFICATIONS:

LAMP TYPE: 14V & 28V - Incandescent
 125V - Neon
 LAMP LIFE: 10,000 Hrs. Minimum
 OPERATING TEMP: -40°C to +105°C Max.
 LEAD FREE/RoHS COMPLIANT

(Ref. Chart on Sheet 2 for Part No. and Specifications.)

B-FORMAT 2002	0	1	2	3	4	5	6	7	8	9	10
REVISIONS NEW. DGW 7-09-15 <i>Ch 7/15/15</i>											

CW INDUSTRIES Southampton, Pa. 18966		Title: PANEL MOUNT INDICATOR LIGHT 14/28/125 VOLT.	
TOLERANCES UNLESS OTHERWISE SPECIFIED 2 Place Decimal ±.010 METRIC 3 Place Decimal ±.005 1 Place Dec. ±.25mm Angles ±1' 2 Place Dec. ±.13mm			
Made for: CW Ind.		Division: SWITCH	
Drawn by: DGW 7-09-15		Dwg. No.	
Checked by: <i>G. GOLD 7-9-15</i>		GIL-2000-2017 Thru -2025	
Approval: <i>[Signature]</i>		Sheet 1 of 2	

MASTER

F
 D
 C
 B
 A

THIS INFORMATION IS CONFIDENTIAL AND PROPRIETARY TO CW INDUSTRIES INCORPORATED AND ITS AFFILIATES. IT MAY NOT BE DISCLOSED TO ANYONE OTHER THAN CW INDUSTRIES PERSONNEL, WITHOUT WRITTEN AUTHORIZATION FROM CW INDUSTRIES INCORPORATED, SOUTHAMPTON, PENNSYLVANIA USA.

DIMENSIONS IN INCHES (MILLIMETERS)
 DO NOT SCALE DRAWING

Dwg. No.
GIL-2000-2017 Thru -2025

Sheet
 2
 of
 2

PART NO.	VOLTAGE RATING	LENS COLOR MATERIAL	HOUSING COLOR MATERIAL	LAMP TYPE	PART NO.	VOLTAGE RATING	LENS COLOR MATERIAL	HOUSING COLOR MATERIAL	LAMP TYPE
GIL-2000-2017	14V	RED POLYCARBONATE	BLACK NYLON 6/6	INCAND.	GIL-2000-2023	14V	GREEN POLYCARBONATE	BLACK NYLON 6/6	INCAND.
GIL-2000-2018	28V	RED POLYCARBONATE	BLACK NYLON 6/6	INCAND.	GIL-2000-2024	28V	GREEN POLYCARBONATE	BLACK NYLON 6/6	INCAND.
GIL-2000-2019	125V	RED POLYCARBONATE	BLACK NYLON 6/6	NEON	GIL-2000-2025	125V	GREEN POLYCARBONATE	BLACK NYLON 6/6	NEON
GIL-2000-2020	14V	AMBER POLYCARBONATE	BLACK NYLON 6/6	INCAND.					
GIL-2000-2021	28V	AMBER POLYCARBONATE	BLACK NYLON 6/6	INCAND.					
GIL-2000-2022	125V	AMBER POLYCARBONATE	BLACK NYLON 6/6	NEON					

1 2 3 4 5 6 7 8 9 10

B-FORMAT 2002

REVISIONS
 0
 NEW.
 DGW 7-09-15
CE 7/14/15

CW INDUSTRIES
 Southampton, Pa. 18966
 TOLERANCES UNLESS OTHERWISE SPECIFIED
 2 Place Decimal ±.010 METRIC
 3 Place Decimal ±.005 1 Place Dec. ±.25mm
 Angles ±1' 2 Place Dec. ±.13mm
 Made for: CW Ind.
 Drawn by: DGW 7-09-15
 Checked by: *G. GULD 7-9-15*
 Approval: *C. H. 7/14/15*

Title: **PANEL MOUNT INDICATOR LIGHT 14/28/125 VOLT. CHART**
 Division: **SWITCH**
 Dwg. No. **GIL-2000-2017 Thru -2025**
 Sheet 2 of 2

MASTER