

SUMMARY

Wires

Low	0
High	0
Coax	1
Triax	0
Quad	0
Fiber	0
Fluidic	0

Series	1V
Termination type	Male solder
IP rating	68
Cable Ø	5.60 - 6.00 mm
Matching parts	EVP.1V.275.CLL
Status	active
Alternative part	



Image is for illustrative purpose only

Download

[Request a quote](#)

[Catalog](#)

TECHNICAL DETAILS

Mechanics

Shell Style/Model	FVN*: Straight plug, cable collet
Keying	
Housing Material	Brass (chrome plated) shell and collet nut, nickel plated brass latch sleeve and mid pieces
Cable Fixing	C60: 5.6 - 6 mm
Variant	
Weight	31.46 g

Performance

Configuration
Insulator
Rated Current

Specifications

Contact Type: Solder

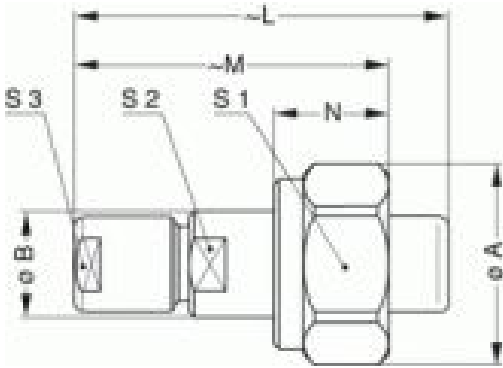
Others

LEMO products and services are provided "as is". LEMO makes no warranties or representations with regard to LEMO product & services or use of them, express, implied or statutory, including for accuracy, completeness, or security. The user is fully responsible for his products and applications using LEMO components.

Pressure: 30 bars
IP Rating: 68

DRAWINGS

Draws



Dimensions

	A	B	L	M	N	S1	S2	S3
mm.	19.3	12	43	35	14	18	10	9
in.	0,76	0,47	1,69	1,38	0,55	0,71	0,39	0,35

RECOMMENDED BY LEMO

Tools

None

Cables

LEMO products and services are provided "as is". LEMO makes no warranties or representations with regard to LEMO product & services or use of them, express, implied or statutory, including for accuracy, completeness, or security. The user is fully responsible for his products and applications using LEMO components.