

## SUMMARY



Image is for illustrative purpose only

### # Wires

Low	2
High	0
Coax	0
Triax	0
Quad	0
Fiber	0
Fluidic	0

### Download

[Request a quote](#)

[Catalog](#)

Series	0W
Termination type	Male solder
IP rating	68
Cable Ø	3.10 - 3.50 mm
Matching parts	EVG.0W.302.CLL
Status	active
Alternative part	

## TECHNICAL DETAILS

### Mechanics

Shell Style/Model	FV*: Straight plug, cable collet
Keying	1 key (alpha=0; Plug: male contacts; Receptacle: female contacts)
Housing Material	Brass (chrome plated) shell and collet nut, nickel plated brass latch sleeve and mid pieces
Cable Fixing	C35: 3.1 - 3.5 mm
Variant	
Weight	19.07 g

### Performance

Configuration	
Insulator	
Rated Current	#10 Amps

### Specifications

Contact Type:	Solder
Max. Matings:	5000
Contact Dia.:	0.9 mm (0.035in)

LEMO products and services are provided "as is". LEMO makes no warranties or representations with regard to LEMO product & services or use of them, express, implied or statutory, including for accuracy, completeness, or security. The user is fully responsible for his products and applications using LEMO components.

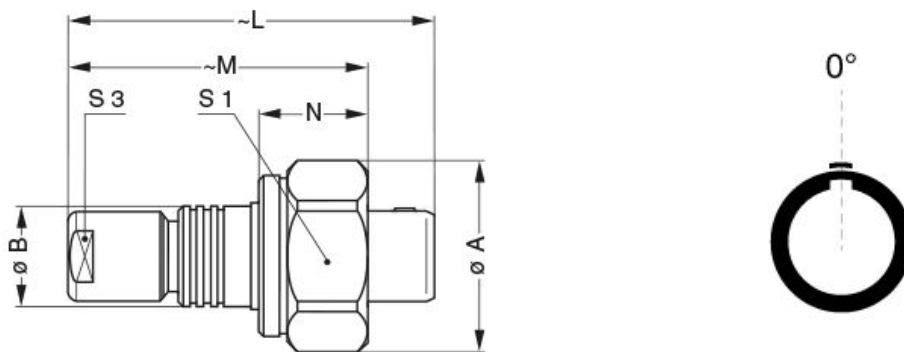
Bucket Dia.: 0.8 mm (0.031in)  
 Max. Solid Conductor: 0.34 mm<sup>2</sup> (AWG 22)  
 Max. Stranded Conductor: 0.34 mm<sup>2</sup> (AWG 22)  
 R (max): 4.8 mOhm  
 Vtest (contact-contact): 1300 V (AC) 1800 V (DC)  
 Vtest (contact-shell): 1050 V (AC) 1500 V (DC)

## Others

Pressure: 30 bars  
 IP Rating: 68

# DRAWINGS

## Draws



## Dimensions

	A	B	L	M	N	S1	S3
mm.	17.2	8.9	35.5	30.8	13.5	16	8
in.	0,68	0,35	1,40	1,21	0,53	0,63	0,31

# RECOMMENDED BY LEMO

## Tools

None

## Cables

*LEMO products and services are provided "as is". LEMO makes no warranties or representations with regard to LEMO product & services or use of them, express, implied or statutory, including for accuracy, completeness, or security. The user is fully responsible for his products and applications using LEMO components.*

002 080	PVC	Grey	
020 240	PTFE	White	

*LEMO products and services are provided "as is". LEMO makes no warranties or representations with regard to LEMO product & services or use of them, express, implied or statutory, including for accuracy, completeness, or security. The user is fully responsible for his products and applications using LEMO components.*