

## SUMMARY

### # Wires

Low	0
High	0
Coax	0
Triax	1
Quad	0
Fiber	0
Fluidic	0

*Image is for illustrative purpose only*

### Download

[Request a quote](#)

[Catalog](#)

Series	T7
Termination type	Male solder
IP rating	50
Cable Ø	0.00 - 0.00 mm
Matching parts	
Status	active
Alternative part	

## TECHNICAL DETAILS

### Mechanics

Shell Style/Model	FCZ*: Fixed plug, crimp, nut fixing
Keying	
Housing Material	Brass (chrome plated) shell and collet nut, nickel plated brass latch sleeve and mid pieces
Cable Fixing	∅ 0 - 0 mm
Variant	
Weight	95.01 g

### Performance

Configuration
Insulator
Rated Current

### Specifications

Contact Type: Solder

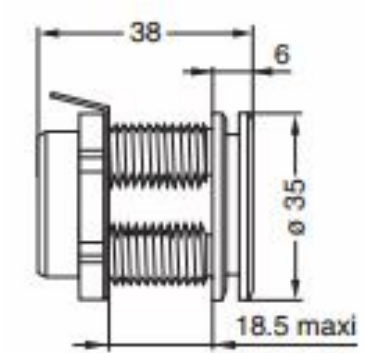
### Others

LEMO products and services are provided "as is". LEMO makes no warranties or representations with regard to LEMO product & services or use of them, express, implied or statutory, including for accuracy, completeness, or security. The user is fully responsible for his products and applications using LEMO components.

---

## DRAWINGS

### Draws



### Dimensions

	A	E	L	M	e
mm.	35	18.5	38	6	M28x1.0
in.	1,38	0,73	1,50	0,24	

---

## RECOMMENDED BY LEMO

### Tools

None

### Cables

*LEMO products and services are provided "as is". LEMO makes no warranties or representations with regard to LEMO product & services or use of them, express, implied or statutory, including for accuracy, completeness, or security. The user is fully responsible for his products and applications using LEMO components.*