

## SUMMARY



*Image is for illustrative purpose only*

### # Wires

Low	0
High	0
Coax	1
Triax	0
Quad	0
Fiber	0
Fluidic	0

### Download

[Request a quote](#)

[Catalog](#)

Series	01
Termination type	Female solder
IP rating	50
Cable Ø	0.00 - 0.00 mm
Matching parts	FFS.01.250.DLAE31
Status	active
Alternative part	

## TECHNICAL DETAILS

### Mechanics

Shell Style/Model	ERA*: Fixed receptacle, nut fixing
Keying	Circular (can rotate)
Housing Material	Brass (gold plated) shell, collet nut, brass latch sleeve and mid pieces
Cable Fixing	∅ 0 - 0 mm
Variant	
Weight	1.24 g

### Performance

Configuration	0.25 : 1 Coax (50 Ohm)
Insulator	
Rated Current	

### Specifications

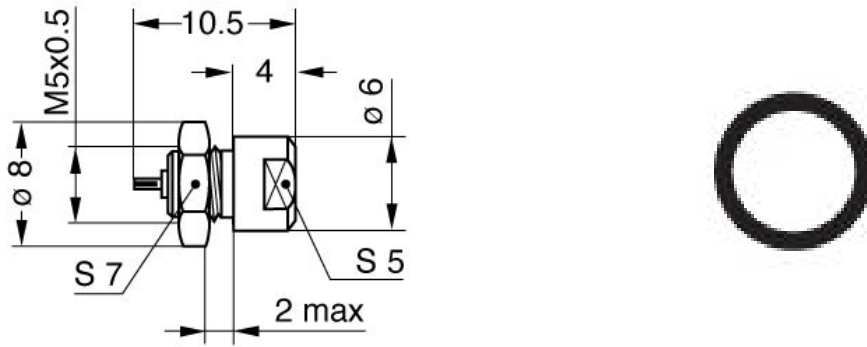
Contact Type: Solder

### Others

LEMO products and services are provided "as is". LEMO makes no warranties or representations with regard to LEMO product & services or use of them, express, implied or statutory, including for accuracy, completeness, or security. The user is fully responsible for his products and applications using LEMO components.

## DRAWINGS

### Draws



### Dimensions

	A	B	E	L	M	S1	S2	e
mm.	6	8	2	10.5	4	5	7	M5x0.5
in.	0,24	0,31	0,08	0,41	0,16	0,20	0,28	

## RECOMMENDED BY LEMO

### Tools

None

### Cables

CCN.50.051.1529NMC			
--------------------	--	--	--

*LEMO products and services are provided "as is". LEMO makes no warranties or representations with regard to LEMO product & services or use of them, express, implied or statutory, including for accuracy, completeness, or security. The user is fully responsible for his products and applications using LEMO components.*