

200 kA SCCR in **2/3** the footprint of traditional fusible switches



Bussmann series Compact Circuit Protector (CCP) with CUBEFuse™ helps increase assembly SCCR in a compact, finger-safe design

Contents

Description	Section page
Compact Circuit Protector (CCP) disconnect switches	
Class CC, UL supplemental and IEC 10x38mm (CCP)	2-3
Class CF CUBEFuse (CCP-CF)	4-5
Compact Circuit Protector Base (CCPB)	6
Low profile Class CC and G, UL supplemental and IEC 10x38mm (CCPLP)	7-8
UL 98 fused disconnect switches, 30 to 800 A	
Introduction and agency information	9
Product line summary — UL	10
30 A Class CC and compact Class J	11-12
30 A standard Class J	13-14
60 A compact Class J	15-16
60 A standard Class J	17-18
100 A standard Class J	19-20
200 A and 400 A standard Class J	21-23
600 A standard Class J and 800 A Class L	24-25
UL 98 non-fused disconnect switches, 30 to 1200 A	
Introduction, agency information and product line summary — IEC	26
Product line summary — UL	27
30 A, 60 A and 100 A compact	28-29
100 A, 200 A and 400 A standard	30-31
600 A, 800 A, 1000 A and 1200 A standard	32-33
UL 508 non-fused disconnect switches, 16 to 80 A	
Introduction and agency information	34
Product line summary	35
16 A, 25 A, 40 A, 63 A and 80 A standard	36-38
Enclosed UL 98 and UL 508 disconnect switches	
Introduction and agency information	39
Fused UL 98 enclosed disconnects, 30 to 800 A	40-41
Non-fused UL 98 enclosed disconnects, 30 to 1200 A	42-43
Non-fused UL 508 enclosed disconnects, 16 to 80 A	44-45

Disconnect switches

CCP Compact Circuit Protector fused disconnect switches for ferrule fuses

With a small footprint, the CCP fused disconnect switch offers many advantages over other fused disconnects. Available in 1-, 2- and 3-pole versions, this smaller size CCP is offered in UL Class CC, UL supplemental and IEC 10x38mm fuses versions.



Ratings

- See catalog number table

Agency information

- Class CC fuse versions
 - UL 98 Listed, Guide WHTY, File E302370
 - cULus to CSA Standard 22.2 No. 4-04, Guide WHTY7, File 302370
- UL midget and 10X38mm IEC fuse versions
 - UL 508 Listed, Guide NRNT, File E320230
 - cULus Certified 22.2 No. 14-05
 - IEC 60947-3 AC23A — IEC 60947-3 DC23A
- RoHS compliant
- CE

Terminals

- Single/dual conductor box lug
- Fork terminal suitable for line, load or accessory connection

Storage and operating temperature -20°C to 75°C*

* For fuse performance under or above 25°C, consult fuse performance derating charts in the Eaton publication titled Selecting Protective Devices (SPD), reorder #3002.

Lockout/tagout provisions

- 4mm shank lock or Brady pin-out device, part number 90850

Mounting 35mm DIN-Rail

Local open fuse indication minimum voltage**

- 90 Vac for AC versions, 12 Vdc for DC versions

**Open fuse indication requires an open fuse to be in the CCP and the switch in the ON position.

Features

- IP20 Finger-safe construction with 10 AWG or larger wire
- Switch interlock prohibits removing the fuse under load

Accessories

- Auxiliary contacts
- PLC wired remote fuse indication

1-, 2- and 3-pole, Class CC, UL midget and 10x38mm IEC

Amps	Fuse class	Poles	Volts	SCCR	Max. Hp* (Vac)				Conductors		Agency info.	Catalog no.
					120	240	480	600	AWG size†††	Type		
30	CC	1	600 Vac	200 kA	0.5	—	—	—	—	—	UL 98 Listed, cULus 22.2, No. 4-04	CCP-1-30CC
		2			—	2	—	—				CCP-2-30CC
		3			0.75	3	5	7.5				CCP-3-30CC
30	UL Midget	1	240 Vac†	10 kA†	—	—	—	—	Single/dual; 8-6 Sol/Str	75°C Cu or higher	UL 508 Listed, cULus 22.2, No. 14-05 IEC 60947-3, AC-23A	CCP-1-30M
32*	IEC 10x38		400 Vac†	120 kA†	—	—	—	—				CCP-2-30M
30	UL Midget	2	240 Vac†	10 kA†	—	—	—	—	Single; 4 Sol/Str	75°C Cu or higher	UL 508 Listed, cULus 22.2, No. 14-05 IEC 60947-3, AC-23A	CCP-2-30M
32*	IEC 10x38		400 Vac†	120 kA†	—	—	—	—				CCP-3-30M
30	UL Midget	3	240 Vac†	10 kA†	—	—	—	—	Fork terminal††	75°C Cu or higher	UL 508 Listed, cULus 22.2, No. 14-05 IEC 60947-3, DC-23A	CCP-3-30M
32*	IEC 10x38		400 Vac†	120 kA†	—	—	—	—				CCP-1-DCC
30	CC	1	80 Vdc†	20 kA†	—	—	—	—	—	—	UL 98 Listed, CSA 22.2, No. 4-04	CCP-1-DCC
30	CC	1	80 Vdc†	10 kA†	—	—	—	—	—	—	UL 508 Listed, cULus 22.2, No. 14-05 IEC 60947-3, DC-23A	CCP-1-DCM
32*	IEC 10x38											CCP-1-DCM

* 32 A Class aM, 25 A Class gG.

† SCCR May be lower, refer to installed fuse data sheets.

†† Fork terminal with a 4.3mm gap for a #8-32 stud, 30 A max, insulated flange, wire size 12-10 AWG.

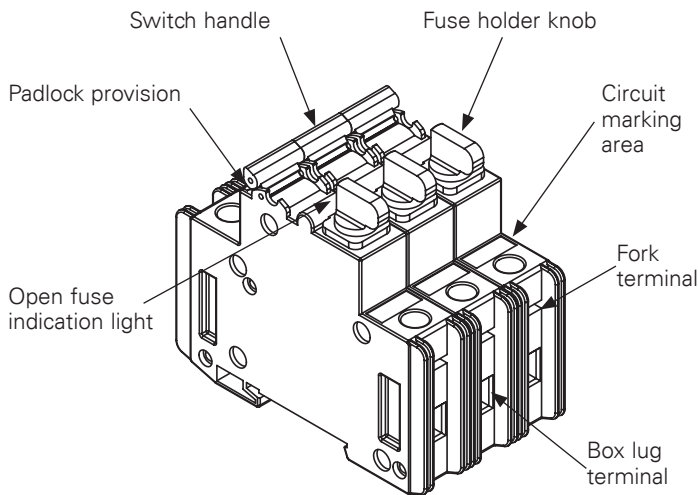
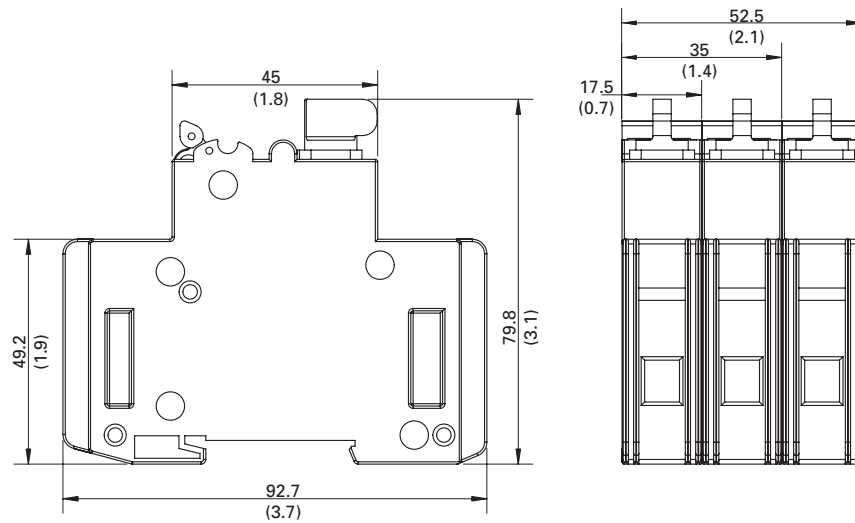
††† 18-10 AWG; 20 lb-in 2.3N•m, 8-4 AWG; 35 lb-in 4.0N•m

Available Bussmann series fuses

Fuse class	Type/description	Fuse class	Type/description
CC	LP-CC time-delay, current limiting	Midget	FNM time-delay
	FNQ-R time-delay		FNQ time-delay
	KTK-R fast-acting		KTK fast-acting
gG/gL	C10G		BAF fast-acting
aM	C10M		KLM fast-acting

CCP Compact Circuit Protector fused disconnect switches for ferrule fuses

Dimensions — mm (in)



Auxiliary contacts



PLC indicator (Includes leads with spade terminals)

Disconnect switches

CCP-_-30_ accessories

Description	Max. per CCP	Signal output	Min. circuit voltage	Agency information	Catalog no.
Auxiliary contacts NO+NC for switch status	1 per CCP (1-, 2- or 3-pole)	5 A/240 Vac	—	UL 98 Recognized, cURus 22.2 No. 4-04, IEC 60947-5-1 AC15	CCP- AUX*
PLC fuse monitor for open fuse indication	1 per CCP (1-, 2- or 3-pole)	24 Vdc/ 10m A	100 Vac	UL 98 Recognized, cURus 22.2 No. 4-04	CCP-PLC-IND*

* Refer to data sheet no. 1157 for details.

CCP Compact Circuit Protector CUBEFuse disconnect switches

With a small footprint, the CCP fused disconnect switch offers many advantages over other fused disconnects. Available in 1-, 2- and 3-pole versions, the CUBEFuse CCP is offered in a larger size for the UL Class CF CUBEFuse available in time-delay and fast-acting versions in ratings from 1 to 100 amps.



Agency information

- UL 98 Listed, Guide WHTY, File E302370
- cULus to CSA Standard 22.2 No. 4-04, Guide WHTY7, File 302370
- RoHS compliant
- CE

Terminals

- Single/dual conductor box lug or spade terminal suitable for line, load or accessory connection

Fuses

- Time-delay CUBEFuse, see data sheet no. 9000
- Fast-acting CUBEFuse, see data sheet no. 2147

Storage and operating temperature

- -20°C to 75°C***

*** For fuse performance under or above 25°C, consult fuse performance derating charts in the Busmann Division publication Selecting Protective Devices (SPD) document no. 3002.

Amps	Poles	Volts	SCCR (kA)	Max. Hp (Vac)*				Conductor AWG size**	Type	Agency information	Catalog no.
				120	240	480	600				
30	1	600 Vac	200	1.5	—	—	—	Single/dual; 18-6 Sol/Str			CCP-1-30CF
	2	125 Vdc	100	—	3	—	—				CCP-2-30CF
	3	600 Vac	200	—	5	15	10				CCP-3-30CF
60	1	600 Vac	200	3	—	—	—	Fork terminal†	75°C Cu or higher	UL 98 Listed	CCP-1-60CF
	2	125 Vdc††	100	—	7.5	—	—				CCP-2-60CF
	3	600 Vac	200	—	7.5	20	10				cULus 22.2, No. 4-04
100	1	600 Vac	200	5	—	—	—	Single; 8-10 Sol/Str, 8-1 Str			CCP-1-100CF
	2	125 Vdc†††	100	—	10	—	—	Dual; 6 Str			CCP-2-100CF
	3	600 Vac	200	—	20	50	50	Fork terminal†			CCP-3-100CF

* With time-delay Low-Peak CUBEFuse.

** 30-60 A — 18-10 AWG 20 lb-in, 8-6 AWG 35 lb-in, 4 AWG 35 lb-in, 70-100 A — 18-10 AWG Single 25 lb-in, 8-1 AWG Single 35 lb-in, 6 AWG Dual 45 lb-in.

† Fork terminal with a 4.3mm gap for a #8-32 stud, 30 A max, insulated flange, wire size 12-10 AWG.

†† Up to 40 A max, >40 A is 24 Vdc.

††† Up to 80 A max, >80 A is 24 Vdc.

Lockout/tagout provisions

- 1/4" shank lock

Mounting

- 35mm DIN-Rail

Local open fuse indication minimum voltage†

- 90 V

† Open fuse indication requires an open fuse to be in the CCP and the switch in the ON position.

Features

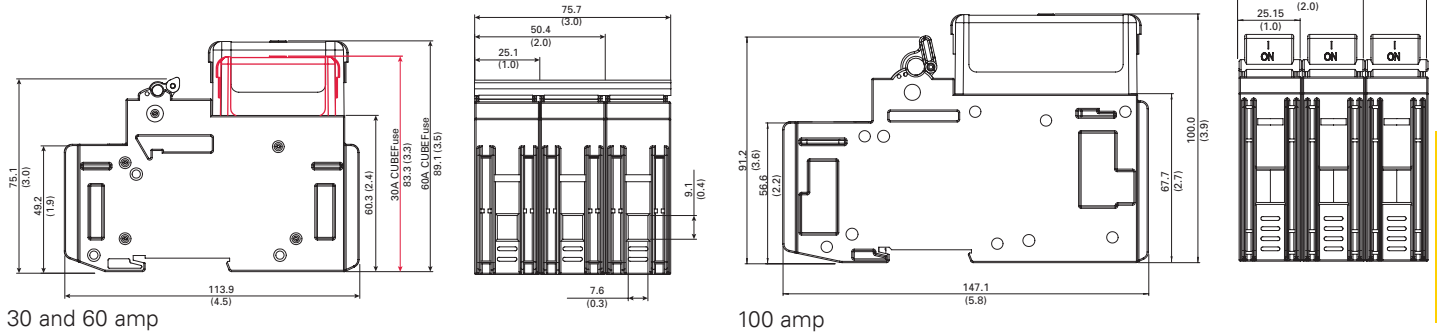
- Ampacity rejecting disconnects will not accept CUBEFuse amp ratings greater than switch rating
- IP20 Finger-safe construction with 10 AWG (6mm²) wire or larger
- Built-in switch interlock capability prohibits removing the fuse under load

Accessories

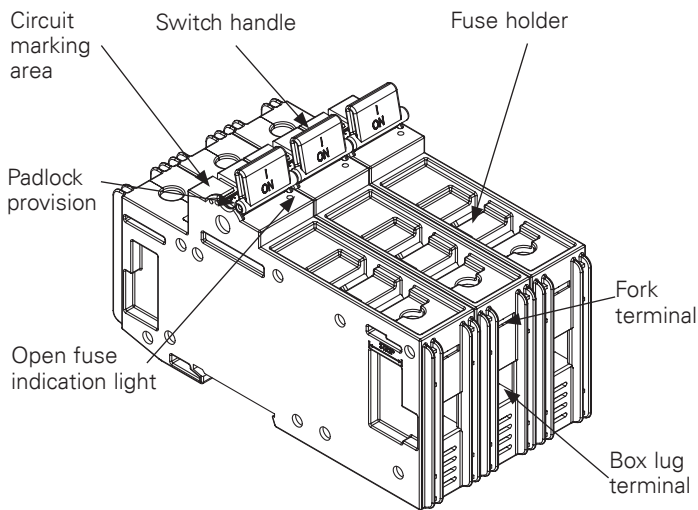
- Auxiliary contacts
- PLC wired remote fuse indication
- CUBEFuse pullers (P/Ns: CFP-30, CFP-60, CFP-100)

CCP Compact Circuit Protector CUBEFuse disconnect switches

Dimensions — mm (in)



Disconnect switches



Auxiliary contacts



PLC indicator (Includes leads with spade terminals)

CCP- _ _ CF accessories

Description	Max. per CCP	Signal output	Min. circuit voltage	Agency information	Catalog no.
Auxiliary contacts NO+NC for switch status up to 60 A	1 per CCP (1-, 2-, 3-pole)	5 A/ 240 Vac	—	UL 98 Recognized, cURus 22.2 No. 4-04, IEC 60947-5-1 AC15	CCP- AUX*
Auxiliary contacts NO+NC for switch status 70 to 100 A				UL 98 Recognized, CSA C22.2 No. 4	CCP- AUX-100*
PLC fuse monitor for open fuse indication up to 60 A	1 per CCP (1-, 2-, 3-pole)	24 Vdc/ 10mA	100 Vac	UL 98 Recognized, cURus 22.2 No. 4-04	CCP-PLC-IND*
PLC fuse monitor for open fuse indication 70 to 100 A				UL 98 Recognized, CSA C22.2 No. 4	CCP-PLC-100*

* Refer to data sheet no. 1157 for details.

CCPB Compact Circuit Protector Base fused branch circuit disconnect

The Bussmann series CCPB is based upon the CCP-CF with modifications specific for application in fused panelboards as a branch circuit disconnect. It is most commonly used in the Bussmann series Quik-Spec™ Coordination Panelboard.

Available in 1-, 2- and 3-pole versions, the CCPB features amp rating breaks that coincide with common conductor ampacities. As such, the CCPB is a rejection fused switch and will accept any CUBEFuse amp rating up to the switch's, but not more. This unique feature helps prevent overfusing the circuit and promotes electrical safety.

For the most current information on these switches, please visit our website Eaton.com/bussmannseries.



Local indication

- Illumination requires closed circuit and minimum 90 V

Features

- Uses finger-safe Class CF time-delay or fast-acting CUBEFuse
- High 200 kA short-circuit current ratings
- Disconnect rated to provide means for load isolation
- Full voltage rated at 600 Vac and 125 Vdc
- UL 98 Listed and suitable for branch circuit disconnect and branch circuit protection
- 1-, 2- and 3-pole versions are horsepower rated
- Patented rejection feature helps prevent overfusing
- Complies with UL and cULus
- Open fuse indication light per pole
- Additional open fuse indication can be provided by using the indicating CUBEFuse version
- Built-in switch/fuse interlock prohibits removing the fuse while energized
- Permanent lockout/tagout provisions

Ratings

- Volts
 - Up to 600 Vac
 - Up to 125 Vdc
- Amps/rejection breaks 15, 20, 30, 40, 50, 60, 70, 90 and 100 amps
- SCCR
 - 200 kA AC
 - 100 kA DC

Agency information

- UL 98 Listed, Guide WHTY, File E302370, cULus to CSA Standard 22.2 No. 4, Guide WHTY7, File E302370
- RoHS compliant
- CE

Buss connector

- Bolt-on 10-32 UNC hex flange
- Phillips screw, torque to 25 lb-in (2.8N•m)

Loadside terminals/ AWG conductors

- Box lug (75°C, Cu/Al)
 - 18-6 single and dual rated, solid or stranded
 - 4 single
 - Torque, 18-10 20 lb-in (2.2 N•m), 8-4 35 lb-in (3.9 N•m)
- Loadside fork terminal
 - Max. 30 A suitable for use with #8-32 screw

Fuses

- Time-delay CUBEFuse
- Fast-acting CUBEFuse

Data sheet no: 1161



The CCPB fused branch circuit disconnect is used in the Bussmann series Quik-Spec™ Coordination Panelboard. For details, see the QSCP in Section 12.

CCPLP UL 98 Listed low profile Compact Circuit Protector

The revolutionary Bussmann series low profile Compact Circuit Protector (CCPLP) is a UL 98/508 Listed fused disconnect switch. This panel mount switch is available in 1-, 2- and 3-pole versions, and has the smallest footprint of any fused disconnect switch. It features an SCCR up to 200 kA to help improve equipment SCCR.



Four fuse types

The CCPLP is available for UL Class CC and G, UL supplemental (13/32" x 1-1/2") and IEC 10x38mm fuses.

Class CC and G versions are easily selectively coordinated with the upstream Bussmann series CUBEFuse™ using published fuse ampacity ratio tables.

Design/application flexibility

The CCPLP is easily integrated into many panel designs and provides a high SCCR alternative to low profile circuit breakers on the market.

Ratings

- Volts
 - 600 Vac (Class CC up to 30 A, Class G 20 A)
 - 550 Vac (10x38mm IEC Class aM 0.16-16 A)
 - 500 Vac (10x38mm IEC Class gG 0.5-25 A)
 - 400 Vac (10x38mm IEC Class aM 20-32 A, gG 32 A)
 - 240 Vac (13/32" x 1-1/2" UL supplemental 30 A)
- Amps
 - Up to 30 A (UL)
 - Up to 32 A (IEC)
- SCCR
 - 200 kA (Class CC)
 - 120 kA (10x38mm IEC Class gG and aM)
 - 100 kA (Class G)
 - 10 kA (13/32" x 1-1/2" UL supplemental)
- Frequency 50/60 Hz
- Impulse voltage 8 kV

Terminals and conductors 75°C/90°C Cu

- Screw terminal, 10-32 phil-slot screw with external tooth lock washer (use with properly rated/UL Listed ring or fork terminal)
- Pressure plate terminal, 10-32 phil-slot screw (single 22-6 AWG solid or stranded)

Ambient storage and operating temperature

- -20 to 90°C, 85% relative humidity, non-condensing

Poles

1-, 2- and 3-pole factory configured*

* 2- and 3-pole versions supplied as ganged switches with phase barriers.

Agency information

- Class G fuse versions
 - UL 98 Listed, Guide WHTY, File E302370
 - IEC 60947-3 AC-23A
- Class CC fuse versions
 - UL 98 Listed, Guide WHTY, File E302370
 - cULus to CSA Standard 22.2 No. 4-04, Guide WHTY7, File E302370
 - IEC 60947-3 AC-23A
- UL supplemental and IEC 10x38mm fuse versions
 - UL 508 Listed, Guide NRNT, File E320230
 - cULus Listed to CSA 22.2 No. 14-05, Guide NRNT7, File E320230
 - IEC 60947-3 AC-23A
- RoHS compliant
- CE

Safety

- Finger-safe IP20 from panel front

Mounting

- Front panel mounting with customer supplied M3 screws

Open fuse indication*

- Local open fuse indication provided for each pole by an orange neon lamp (minimum 90 V)
- * Open fuse indication requires an energized, closed circuit with an open fuse in the CCPLP and the switch in the ON position.

Lockout/tagout provision

- Brady pin-out device, part number 90844

Circuit labeling provision

- Accepts up to two universal marker labels, catalog number TM26CB

Carton quantity

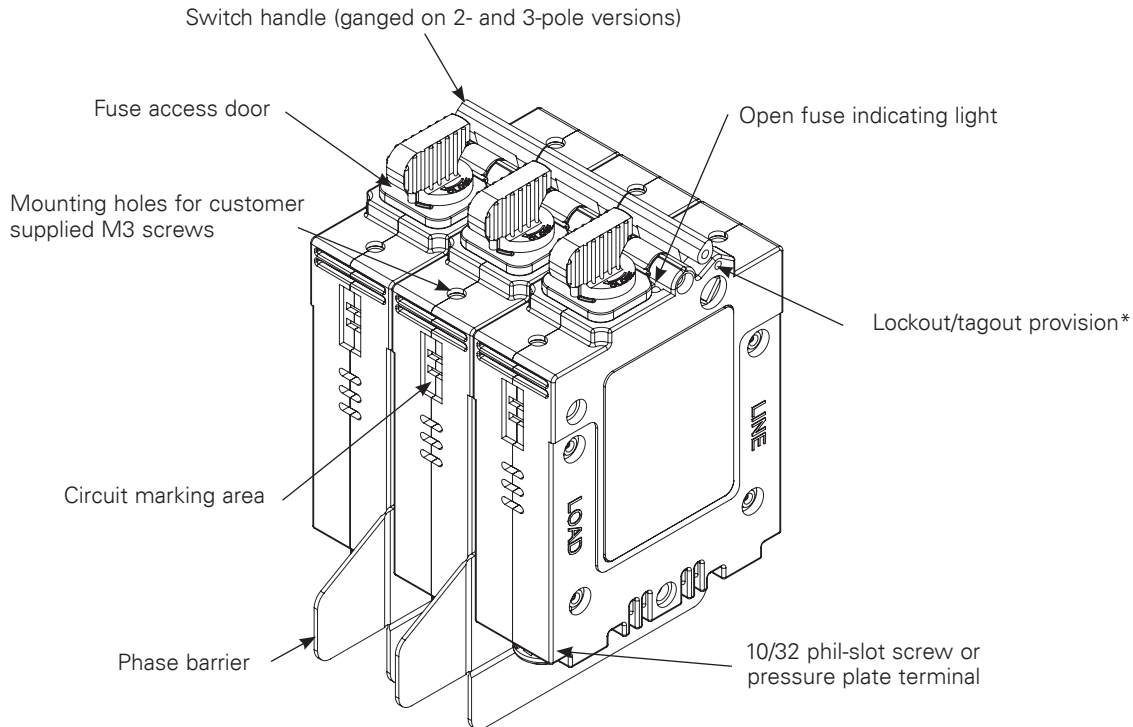
- 12 poles (1-pole: 12 units, 2-pole: 6 units, 3-pole: 4 units)

Minimum enclosure size

- 6" x 6" x 4" per UL 98 Listing

Available CCPLP versions

Catalog no.		Poles	Volts AC	Amps	SCCR (kA)	Horsepower (Vac)			
Screw terminal	Pressure plate terminal					120	240	480	600
UL Class G fuse									
CCPLP-1-20G-S	CCPLP-1-20G-P	1	600	20	100	—	—	—	—
CCPLP-2-20G-S	CCPLP-2-20G-P	2							
CCPLP-3-20G-S	CCPLP-3-20G-P	3							
UL Class CC fuses									
CCPLP-1-30CC-S	CCPLP-1-30CC-P	1	600	30	200	0.5	—	—	—
CCPLP-2-30CC-S	CCPLP-2-30CC-P	2							
CCPLP-3-30CC-S	CCPLP-3-30CC-P	3							
UL 13/32"x1-1/2" midget fuses									
CCPLP-1-30M-S	CCPLP-1-30M-P	1	240	30	10	—	—	—	—
CCPLP-2-30M-S	CCPLP-2-30M-P	2							
CCPLP-3-30M-S	CCPLP-3-30M-P	3							
IEC 10x38 gG and aM fuses									
CCPLP-1-30M-S	CCPLP-1-30M-P	1	gG fuses: — up to 25 A @ 500 V — 32 A @ 400 V		120	—	—	—	—
CCPLP-2-30M-S	CCPLP-2-30M-P	2	aM fuses: — up to 16 A @ 550 A — 20-23 A @ 400V		120	—	—	—	—
CCPLP-3-30M-S	CCPLP-3-30M-P	3			120	—	—	—	—



* Use Brady pin-out device, P/N 90844

Available Bussmann series fuses

Fuse class	Catalog symbol
CC	FNQ-R, KTK-R, LP-CC
G	SC
M	BAF, FNM, FNQ, KLM, KTK
gG	C10G
aM	C10M

Data sheet no. 10372

UL 98 fused disconnect switches up to 800 A

Bussmann series UL 98 and UL 489 fused disconnect switches “break” and “make” power circuits ON and OFF load.

The switches employ double break contacts per pole that help ensure complete isolation of the fuse when the switch is in the “OFF” position.

Agency information

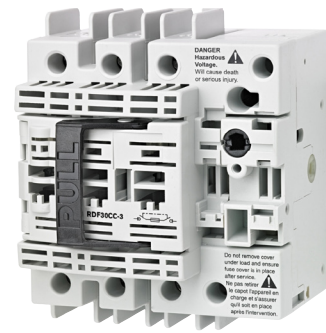
- UL 98, Guide WHTY, File E155130
- UL 489, Guide WJAZ, File E359801
- CSA 22.2 No. 4, File 257020
- Conforms with IEC 60947-3
- NFPA 79

Features

- Make and break power under load
- Double break by pole
- 30-60 A DIN-Rail or panel mount, 100-800 A panel mount only
- Up to 200 kA short-circuit current rating
- Finger-safe covers
- Compact footprints available
- Defeatable handles automatically re-latch when the panel door is closed
- Most disconnect switches are front, right side, flange or direct handle operable
- NFPA 79 compliant handle kits

Online resources available at Eaton.com/bussmannseries

- CAD drawings
- Instruction sheets
- UL information



Available Bussmann series fuses

Fuse class	Catalog symbol/type
CC	LP-CC time-delay, current limiting
	FNQ-R time-delay
	KTK-R fast-acting
J	LPJ time-delay, current limiting
	JKS fast-acting fuses
	DFJ high speed drive fuse
L	KRP-C time-delay, current limiting
	KTU fast-acting
	KLU time-delay
	KRP-CL (225-600 A)

UL 98 fused disconnect switches — 30 to 800 A



RDF30CC-3



RDF30J-3 / RDF60J-3-COMP



RDF60J-3



RDF200J-3



RDF600J-3

Poles	Catalog no.										
2-pole	—	—	RDF30J-2	RDF60J-2-COMP	RDF60J-2	RDF100J-2	RDF200J-2	RDF400J-2	RDF600J-2	RDF800L-2	
3-pole	RDF30CC-3	RDF30J-3-COMP	RDF30J-3	RDF60J-3-COMP	RDF60J-3	RDF100J-3	RDF200J-3	RDF400J-3	RDF600J-3	RDF800L-3	
3-pole + neutral	RDF30CC-3N	RDF30J-3N-COMP	—	—	—	—	—	—	—	—	
4-pole	—	—	RDF30J-4	RDF60J-4-COMP	RDF60J-4	RDF100J-4	RDF200J-4	RDF400J-4	RDF600J-4	RDF800L-4	
UL standard	UL 489	UL 489	UL 98	UL 98	UL 98	UL 98	UL 98	UL 98	UL 98	UL 98	
Fuse class	CC	J	J	J	J	J	J	J	J	L	
Max fuse/ampacity	30	30	30	60	60	100	200	400	600	800	
Switch type	Compact	Compact	Standard	Compact	Standard	Standard	Standard	Standard	Standard	Standard	
Handle operation	Front	Front	Front/Side	Front/Side	Front/Side	Front/Side , Flange	Front/Side , Flange	Front/Side , Flange	Front , Flange	Front , Flange	
UL electrical ratings											
Max AC volts	600 Vac	600 Vac	600 Vac	600 Vac	600 Vac	600 Vac	600 Vac	600 Vac	600 Vac	600 Vac	
Max DC volts*	—	—	250 Vdc	250 Vdc	250 Vdc	250 Vdc	—	250 Vdc	600 Vdc	600 Vdc	
Std. AC Hp ratings	1-phase, 240	—	3	10	10	10	10	10	—	—	
	3-phase, 240	3	3	7.5	7.5	15	25	50	75	75	
	3-phase, 480	5.0	5.0	5.0	15	15	25	50	150	200	
	3-phase, 600	7.5	7.5	7.5	15	15	30	60	125	200	
Max. AC Hp ratings	3-phase, 240	7.5	7.5	7.5	15	15	30	60	125	200	
	3-phase, 480	15	15	15	30	30	60	125	250	400	
	3-phase, 600	20	20	20	50	50	75	150	350	500	
DC Hp ratings	125 Vdc	—	3	5	5	7.5	—	20	—	—	
	250 Vdc	—	5	10	10	20	—	50	—	—	
Electrical characteristics											
SCCR	100 kA	100 kA	200 kA	100 kA	200 kA	200 kA	200 kA	200 kA	200 kA	200 kA	
Terminal lugs/kits	Integral	Integral	Integral	Integral	Integral	Integral	•	•	•	•	
Mounting torque - lb-in (N•m)	—	—	—	—	—	—	160 (18)	310 (35)	310 (35)	310 (35)	
Wire type	75°C Cu	75°C Cu	75°C Cu	75°C Cu	75°C Cu	75°C Cu	75°C Cu/ Al	75°C Cu/ Al	75°C Cu/ Al	75°C Cu/ Al	
Wire range, torque - lb-in (N•m)	Solid	14-10, 27 (3.1)	14-10, 27 (3.1)	14-10, 31 (3.5)	14-10, 31 (3.5)	12-10, 35.4 (4)	12-10, 35.4 (4)	—	—	—	
	Stranded	14-10 27 (3.1)	14-10 27 (3.1)	14-6 , 31 (3.5)	14-6, 31 (3.5)	12-1, 35.4 (4)	12-1, 35.4 (4)	6-300 kcmil, 275 (31)	4-600 kcmil, 550 (62), Dual 1/0-250 kcmil 550 (62)	(2) 2-600 kcmil, 375 (42.4)	(2) 2-600 kcmil, 375 (42.4)
Mechanical characteristics											
Endurances/cycles	10,000	10,000	10,000	10,000	10,000	10,000	8000	6000	5000	5000	
Physical characteristics											
Dimensions											
Weight - lbs (kg)	2-pole	—	—	3.0 (1.3)	3.1 (1.4)	4.1 (1.8)	4.1 (1.8)	5.7 (2.6)	11.4 (5.2)	31.7 (14.4)	31.7 (14.4)
	3-pole	1.3 (0.6)	1.4 (0.6)	3.8 (1.7)	4.1 (1.8)	5.3 (2.4)	5.3 (2.4)	7.8 (3.5)	16.6 (7.6)	44.2 (20.1)	44.2 (20.1)
	3-pole + neutral	1.4 (0.6)	1.5 (0.7)	—	—	—	—	—	—	—	—
	4-pole	—	—	4.7 (2.1)	4.8 (2.2)	6.49 (2.9)	6.49 (2.9)	10.8 (4.9)	21.8 (9.9)	56.8 (25.8)	56.8 (25.8)
Environmental											
Operating temp. range	-20-70°C	-20-70°C	-20-70°C	-20-70°C	-20-70°C	-20-70°C	-20-70°C	-20-70°C	-20-70°C	-20-70°C	
Flammability rating	UL 94-V0	UL 94-V0	UL 94-V0	UL 94-V0	UL 94-V0	UL 94-V0	UL 94-V0	UL 94-V0	UL 94-V0	UL 94-V0	
Accessories											
Lug Kit	Integral	Integral	Integral	Integral	Integral	Integral	•	•	•	•	
Handles	Direct	•	•	•	•	•	•	•	•	•	
	Front selector	•	•	—	—	—	—	—	—	—	
	Front pistol	•	•	•	•	•	•	•	•	•	
Flange	Side pistol	—	—	•	•	•	•	•	•	•	
	Cable	—	—	•	•	•	•	•	•	•	
NFPA through door handle	Shaft	—	—	•	•	•	•	•	•	•	
	Shafts c/s - mm	•	•	•	•	•	•	•	•	•	
Terminal shrouds	5x5	5x5	10x10	10x10	10x10	10x10	10x10	10x10	12X12	12X12	
Auxiliary contacts	Not Required	Not Required	Not Required	Not Required	Not Required	Not Required	•	•	•	•	
AC ratings	(1) NO	•	•	•	•	•	•	•	•	•	
	(1) NC	•	•	•	•	•	•	•	•	•	
	Volts	600	600	600	600	600	600	600	600	600	
Amps	10	10	10	10	10	10	10	10	10	10	

• Available, see product page for details and catalog numbers.



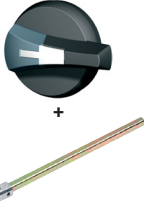





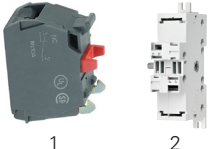
— Not available.

* General purpose only, not photovoltaic rated.

UL 98 fused rotary disconnect switches — 30 A

Standard 30 amp Class CC and compact 30 amp Class J

For a complete assembly, select:

		Switch								
		Amps	Fuse class	Poles	SCCR (kA)	Max Hp rating, 3-phase			Conductor AWG size /type	Catalog no.
Switch		30	CC	3	100	7.5	15	20	14-10 Sol/Str	RDF30CC-3
		30		3 + Ntrl.*	100	7.5	15	20		RDF30CC-3N
		30	J	3	100	7.5	15	20	75°C Cu	RDF30J-3-COMP
		30		3 + Ntrl.*	100	7.5	15	20		RDF30J-3N-COMP
* Neutral is switched.										
Plus										
Direct mount handle - mounts directly to switch, no shaft required										
		For switch cat. no.		Color	Test function	Padlockable		Catalog no.		
		RDF30CC-_						DIR-05		
		RDF30J_-COMP	Black	Y	Y		DIR-06			
OR										
External front operated selector handle - shaft required										
		NEMA type		Color	Test function	Padlockable	Defeatable	Catalog no.		
		1, 3R, 4, 4X, 12		Black	N	Y	Y	H4X-04B		
		1, 3R, 4, 4X, 12		Red/yellow				H4X-04R		
		Shafts for selector handles								
		Length - in (mm)		Mounting depth (X) - in (mm)			Catalog no.			
		7.9 (200)		4.02~9.65 (102~245)			SH1-200			
		12.6 (320)		4.02~14.37 (102~365)			SH1-320			
		15.7 (400)		4.02~17.52 (102~445)			SH1-400			
OR										
External front operated pistol handles - shaft required										
		NEMA type		Color	Test function	Padlockable	Defeatable	Catalog no.		
		1, 3R, 12		Black	N	Y	Y	H12-05B		
		1, 3R, 12		Red/yellow				H12-05R		
		1, 3R, 4, 4X, 12		Black				H4X-05B		
		1, 3R, 4, 4X, 12		Red/yellow				H4X-05R		
		1, 3R, 4, 4X, 12		Black	Y			H4X-05TB		
1, 3R, 4, 4X, 12		Red/yellow	Y			H4X-05TR				
or										
Metallic hasp (heavy duty) external front operated pistol handles - shaft required										
		NEMA type		Color	Test function	Padlockable	Defeatable	Catalog no.		
		1, 3R, 4, 4X, 12		Black	N	Y	Y	H4X-05BHD		
		1, 3R, 4, 4X, 12		Red/yellow				H4X-05RHD		
Shafts for pistol handles										
		Length - in (mm)		Mounting depth (X) - in (mm)			Catalog no.			
		7.9 (200)		4.02~9.65 (102~245)			SH2-200			
		12.6 (320)		4.02~14.37 (102~365)			SH2-320			
		15.7 (400)		4.02~17.52 (102~445)			SH2-400			
OR										
NFPA through the door handle kit - to be used with front pistol handle										
		Color		Test function	Padlockable	Defeatable	Catalog no.			
		Red		N	Y	N	H79-1			
AND...										
Auxiliary contacts										
		Contact type	No. of contacts	Continuous amp rating	Voltage (Vac)	Maximum number of auxiliary contacts per disconnect switch catalog number			Catalog no.	
		NO	1	10	600	RDF30CC-_ : 4 / 8 with BAC-HOLDER2 BAC05 (1) RDF30J_-COMP: 2 / 6 with BAC-HOLDER2			BAC05 (1)	
		NC							BAC06 (1)	
		Auxiliary contact holder						Accepts 4 Auxiliary contacts: BAC05 or BAC06		

Disconnect switches

Select for standard applications

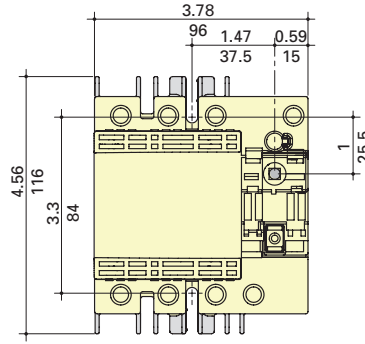
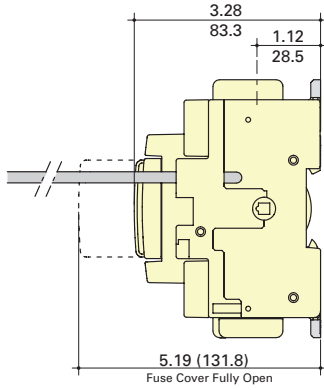
Handle

Accessories

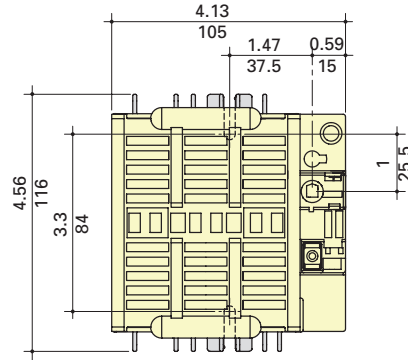
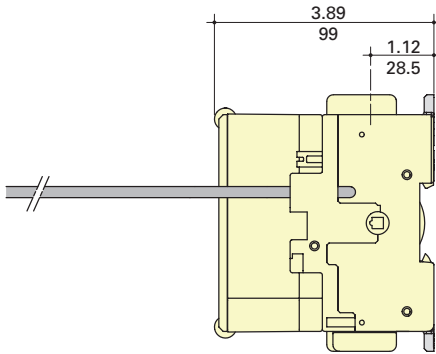
Auxiliary contacts

Dimensions — in (mm)

RDF30CC-



RDF30J- -COMP

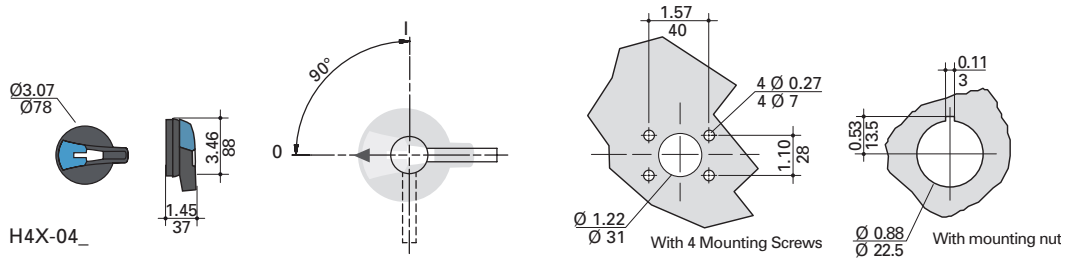


External front selector handle

Selector handle type

Direction of front operation

Door drilling layout

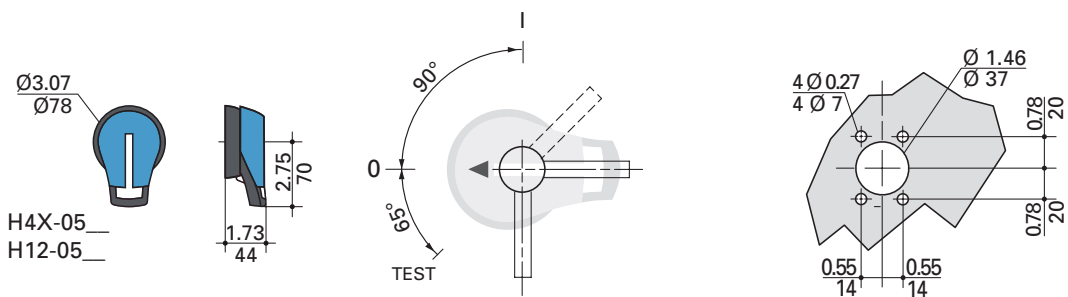


External front pistol handles

Pistol handle type


Direction of front operation

Door drilling layout



Standard 30 amp Class J

For a complete assembly, select:

		Switch												
		Amps	Fuse class	Poles	SCCR (kA)	Max horsepower rating					Conductors AWG size / type	Catalog no.		
1-phase	3-phase					DC*								
Switch				2		3	-	-	-	3	5	14-10 Sol/14-6 Str 75°C Cu	RDF30J-2	
		30	J	3	200	-	7.5	15	20	3	5		RDF30J-3	
				4		-	7.5	15	20	3	5		RDF30J-4	
* DC ratings use two poles in series.														
PLUS														
Direct mount handle - mounts directly to switch, no shaft required														
		For switch cat. no.	Color			Test function		Padlockable					Catalog no.	
		All switches	Black			Y		Y - On switch					DIR-07	
OR														
External front operated pistol handles - shaft required														
		NEMA type	Color			Test function		Padlockable		Defeatable			Catalog no.	
		1, 3R, 12	Black			N							H12-05B	
			Red/yellow											H12-05R
		1, 3R, 4, 4X, 12	Black			Y		Y		Y			H4X-05B	
			Red/yellow											H4X-05R
			Black											H4X-05TB
			Red/yellow										H4X-05TR	
Metallic hasp (heavy duty) external front operated pistol handles - shaft required														
		NEMA type	Color	Color		Test function		Padlockable		Defeatable			Catalog no.	
		1, 3R, 4, 4X, 12	Black			N		Y		Y			H4X-05BHD	
			Red/yellow											H4X-05RHD
External right side operated pistol handles - shaft required														
		NEMA type	Color			Test function		Padlockable		Defeatable			Catalog no.	
		1, 3R, 4, 4X, 12	Black			N		Y		N/A			H4X-05SB	
			Red/yellow											H4X-05SR
Shafts for pistol handles														
		Length — in (mm)	Mounting depth (X) — in (mm)										Catalog no.	
		7.9 (200)	5.30~9.06 (135~230)										SH5-200	
		12.6 (320)	5.30~13.78 (135~350)										SH5-320	
		15.7 (400)	5.30~16.93 (135~430)										SH5-400	
OR														
Flange handle (1) - requires shaft operated mechanism or cable operated mechanism + cable														
		NEMA type	Flange style			Test function		Padlockable		Defeatable			Catalog no.	
		1, 3R, 4, 12	Standard			N		Y		Y			FLH1	
		1, 3R, 4, 4X, 12	Chrome plated											FLH2
Shaft operated flange mechanism (2) - includes shaft														
		For enclosure depth - in (mm)										Catalog no.		
		6~24 (152~613)										FLRM		
Cable operated flange mechanism and cable - must select mechanism (3) and cable (4)														
		Item / length — in (mm)										Catalog no.		
		Cable mechanism										FLCM		
		36 (900) cable										FLC36		
		60 (1500) cable										FLC60		
		120 (3000) cable										FLC120		
OR														
NFPA through the door handle kit - to be used with front pistol handle														
		Color				Test function		Padlockable		Defeatable			Catalog no.	
		Red				N		Y		N			H79-2	
AND...														
Auxiliary contacts														
		Contact type	No. of contacts	Continuous amp rating		Voltage (Vac)		Max. aux contacts per switch					Catalog no.	
		NO	1	10		600		4					BAC05	
		NC											BAC06	

Select for standard applications

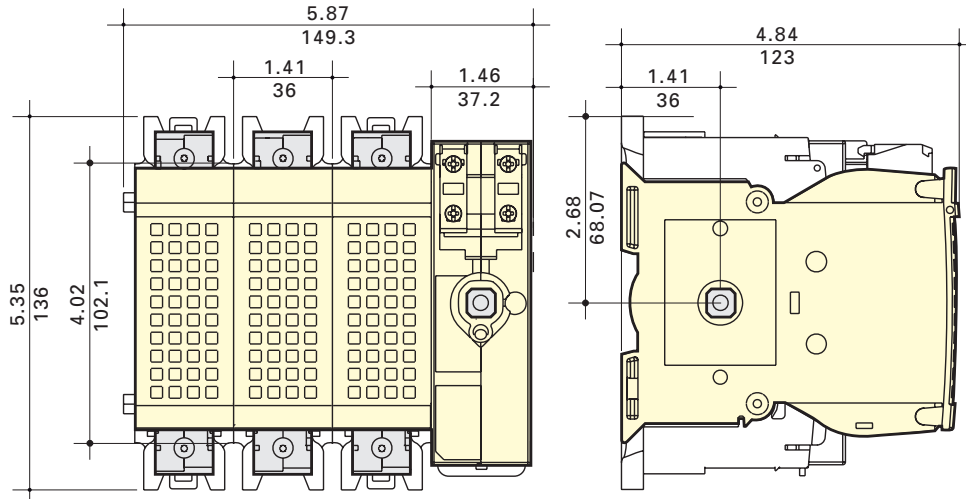
Handle

Accessories

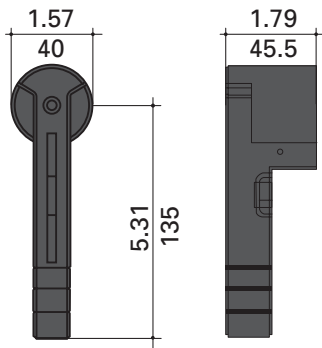
Aux. contacts

Disconnect switches

Dimensions — in (mm)

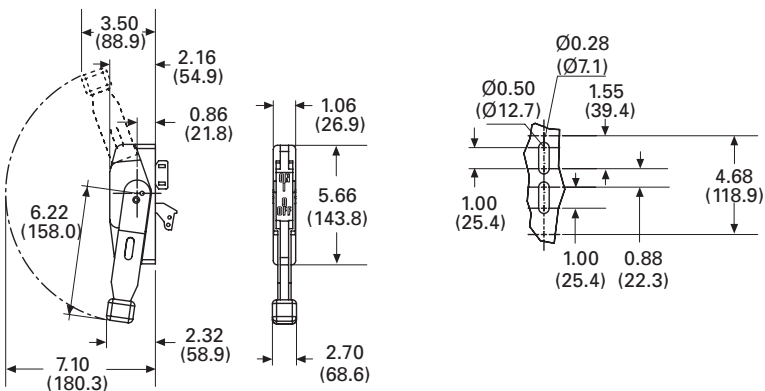


Direct mount handle



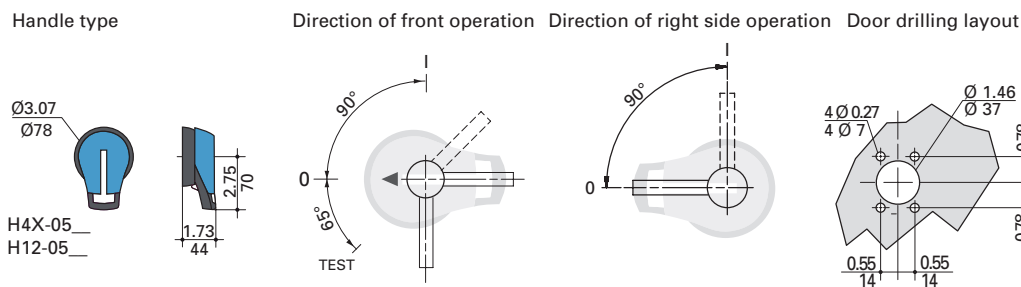
DIR-07

Flange handle








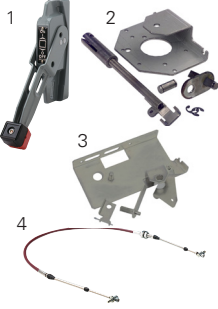


FLH_

External front and right side pistol handle



Compact 60 amp Class J

For a complete assembly, select:

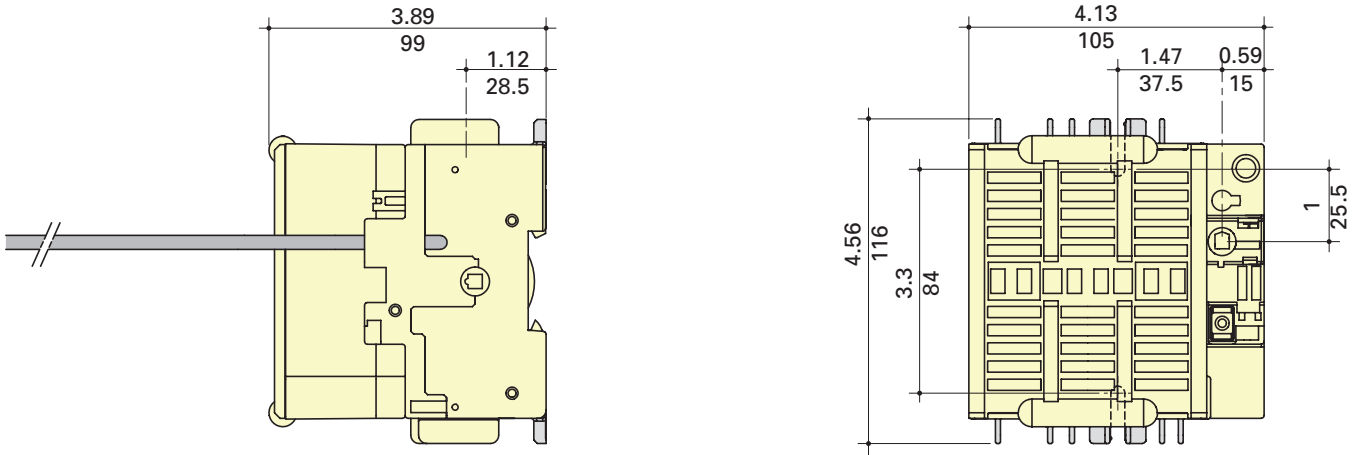
		Switch											
Switch				Max horsepower rating									
		Amps	Fuse class	Poles	SCCR (kA)	1-phase 220/240	3-phase 220/240	440/480	600	DC*		Conductor AWG size / type	Catalog no.
		60	J	2 3 4	100	10 - -	- 15 15	- 30 30	- 50 50	5 5 5	10 10 10	14-10 Sol/14-6 Str 75°C Cu	RDF60J-2-COMP RDF60J-3-COMP RDF60J-4-COMP
		* DC ratings use two poles in series.											
PLUS													
Direct mount handle - mounts directly to switch, no shaft required													
		For switch cat. no.	Color	Test function	Padlockable	Catalog no.							
		All switches	Black	Y	Y - on switch	DIR-07							
OR													
External front operated pistol handles - shaft required													
		NEMA type	Color	Test function	Padlockable	Defeatable	Catalog no.						
		1, 3R, 12	Black	N	Y	Y	H12-05B						
		1, 3R, 12	Red/yellow				H12-05R						
		1, 3R, 4, 4X, 12	Black				H4X-05B						
		1, 3R, 4, 4X, 12	Red/yellow				H4X-05R						
		1, 3R, 4, 4X, 12	Black				H4X-05TB						
		1, 3R, 4, 4X, 12	Red/yellow				H4X-05TR						
Metallic hasp (heavy duty) external front operated pistol handles - shaft required													
		NEMA type	Color	Test function	Padlockable	Defeatable	Catalog no.						
		1, 3R, 4, 4X, 12	Black	N	Y	Y	H4X-05BHD						
		1, 3R, 4, 4X, 12	Red/yellow				H4X-05RHD						
External right side operated pistol handles - shaft required													
		NEMA type	Color	Test function	Padlockable	Defeatable	Catalog no.						
		1, 3R, 4, 4X, 12	Black	N	Y	N/A	H4X-05SB						
		1, 3R, 4, 4X, 12	Red/yellow				H4X-05SR						
Shafts for pistol handles													
		Length — in (mm)	Mounting depth (X) - in (mm)			Catalog no.							
		7.9 (200)	5.30~9.06 (135~230)			SH5-200							
		12.6 (320)	5.30~13.78 (135~350)			SH5-320							
		15.7 (400)	5.30~16.93 (135~430)			SH5-400							
OR													
Flange handle (1) - requires shaft operated mechanism or cable operated mechanism + cable													
		NEMA type	Flange style	Test function	Padlockable	Defeatable	Catalog no.						
		1, 3R, 4, 12	Standard	N	Y	Y	FLH1						
		1, 3R, 4, 4X, 12	Chrome plated				FLH2						
Shaft operated flange mechanism (2) - includes shaft													
		For enclosure depth - in (mm)					Catalog no.						
		6~24 (152~613)					FLRM						
Cable operated flange mechanism and cable - must select mechanism (3) and cable (4)													
		Item / length — in (mm)					Catalog no.						
		Cable mechanism					FLCM						
		36 (900) cable					FLC36						
		60 (1500) cable					FLC60						
		120 (3000) cable					FLC120						
OR													
NFPA through the door handle kit - to be used with selector handle or front pistol handle													
		Color	Test function	Padlockable	Defeatable	Catalog no.							
		Red	N	Y	N	H79-2							
AND...													
Auxiliary contacts													
		Contact type	No. of contacts	Continuous amp rating	Voltage (Vac)	Max. aux contacts per switch	Catalog no.						
		NO	1	10	600	4	BAC05						
		NC					BAC06						

Select for standard applications

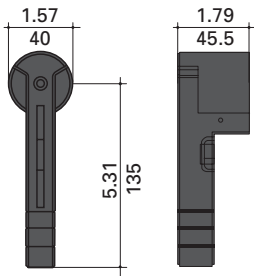
Handle

Disconnect switches

Dimensions — in (mm)

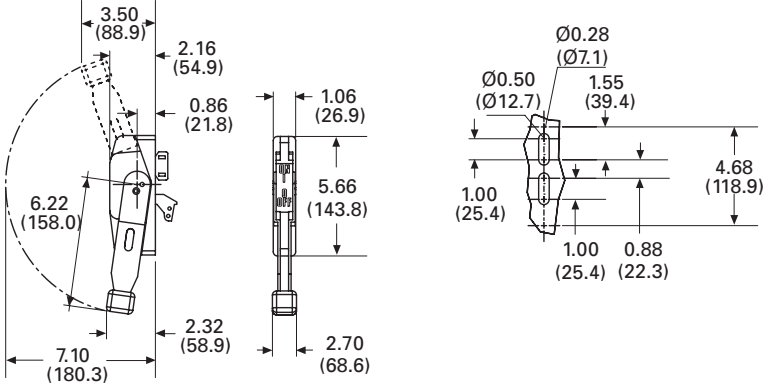


Direct mount handle



DIR-07

Flange handle



FLH_

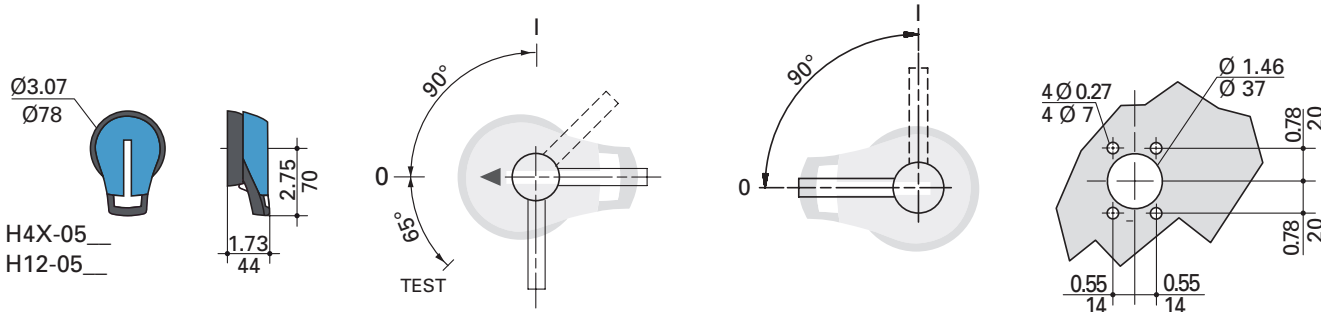
External front and right side pistol handle

Handle type

Direction of front operation

Direction of right side operation

Door drilling layout



Standard 60 amp Class J

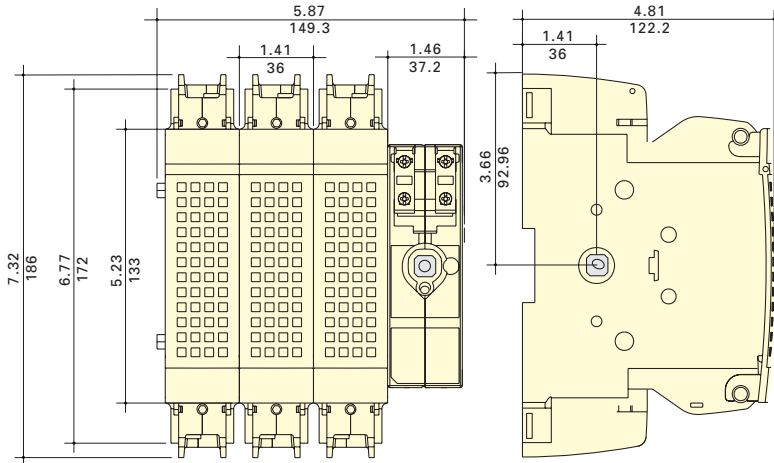
For a complete assembly, select:

		Switch														
		Amps	Fuse class	Poles	SCCR (kA)	Max horsepower rating				Conductor AWG size/type	Catalog no.					
Switch		60	J	2	200	10	220/240	220/240	440/480	600	DC*	125	250	12-10 Sol/12-1 Str 75°C Cu	RDF60J-2	
				3	200	-	15	30	50	5	10	RDF60J-3				
				4	200	-	15	30	50	5	10	RDF60J-4				
* DC ratings use two poles in series.																
PLUS																
Handle		Direct mount handle - mounts directly to switch, no shaft required														
		For switch cat. no.	Color	Test function	Padlockable	Catalog no.										
Handle		All switches	Black	Y	Y	DIR-07										
		OR														
Handle		External front operated pistol handles - shaft required														
		NEMA type	Color	Test function	Padlockable	Defeatable	Catalog no.									
		1, 3R, 12	Black	N	Y	Y	H12-03B									
		1, 3R, 12	Red/yellow				H12-03R									
		1, 3R, 4, 4X, 12	Black				H4X-06B									
		1, 3R, 4, 4X, 12	Red/yellow	H4X-06R												
		1, 3R, 4, 4X, 12	Black	H4X-06TB												
		1, 3R, 4, 4X, 12	Red/yellow	H4X-06TR												
		Or														
		Metallic hasp (heavy duty) external front operated pistol handles - shaft required														
NEMA type	Color	Test function	Padlockable	Defeatable	Catalog no.											
1, 3R, 4, 4X, 12	Black	N	Y	Y	H4X-06BHD											
1, 3R, 4, 4X, 12	Red/yellow				H4X-06RHD											
External right side operated pistol handles - shaft required																
NEMA type	Color	Test function	Padlockable	Defeatable	Catalog no.											
1, 3R, 4, 4X, 12	Black	N	Y	N/A	H4X-06SB											
1, 3R, 4, 4X, 12	Red/yellow				H4X-06SR											
Shafts for pistol handles																
Length — in (mm)	Mounting depth (X) — in (mm)	Catalog no.														
7.9 (200)	5.30~9.06 (135~230)	SH5-200														
12.6 (320)	5.30~13.78 (135~350)	SH5-320														
15.7 (400)	5.30~16.93 (135~430)	SH5-400														
OR																
Accessories		Flange handle (1) - requires shaft operated mechanism or cable operated mechanism + cable														
		NEMA type	Flange style	Test Function	Padlockable	Defeatable	Catalog no.									
		1, 3R, 4, 12	Standard	N	Y	Y	FLH1									
		1, 3R, 4, 4X, 12	Chrome plated				FLH2									
		Shaft operated flange mechanism (2) - includes shaft														
		For enclosure depth — in (mm)	Catalog no.													
6~24 (152~613)	FLRM															
Cable operated flange mechanism and cable - must select mechanism (3) and cable (4)																
Item / length — in (mm)	Catalog no.															
Cable mechanism	FLCM															
36 (900) cable	FLC36															
60 (1500) cable	FLC60															
120 (3000) cable	FLC120															
OR																
Accessories		NFPA through the door handle kit - to be used with front pistol handle														
		Color	Test function	Padlockable	Defeatable	Catalog no.										
Accessories		Red	N	Y	N	H79-2										
		AND...														
Accessories		Auxiliary contacts														
		Contact type	No. of contacts	Continuous amp rating	Voltage (Vac)	Max number of aux contacts per switch	Catalog no.									
		NO	1	10	600	4	BAC05									
NC	BAC06															

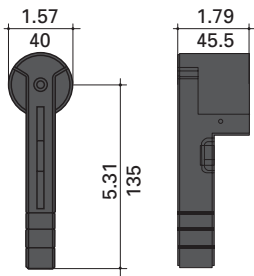
Disconnect switches

Select for standard applications

Dimensions — in (mm)

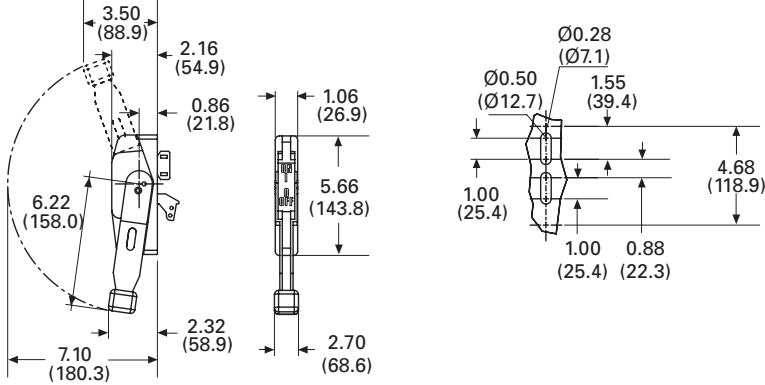


Direct mount handle



DIR-07

Flange handle



FLH_

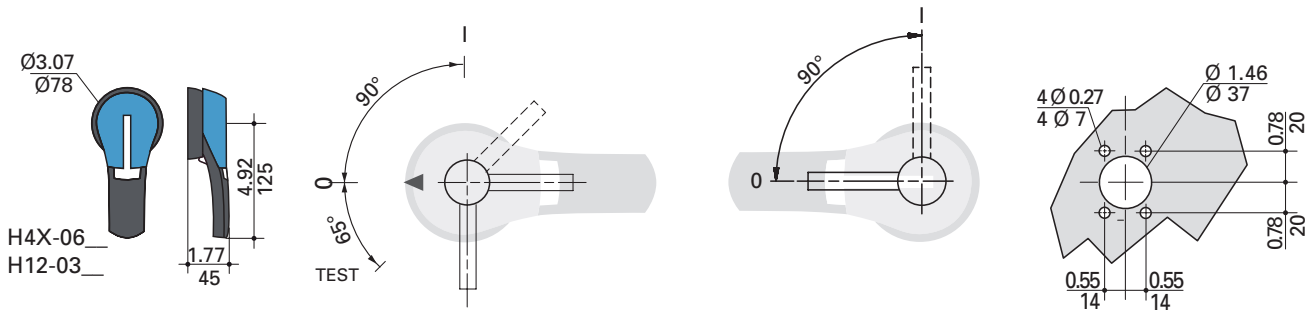
External front and right side pistol handle

Handle type

Direction of front operation




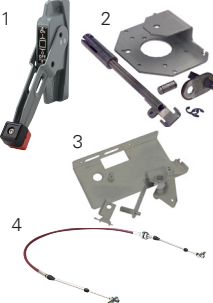


Direction of right side operation

Door drilling layout



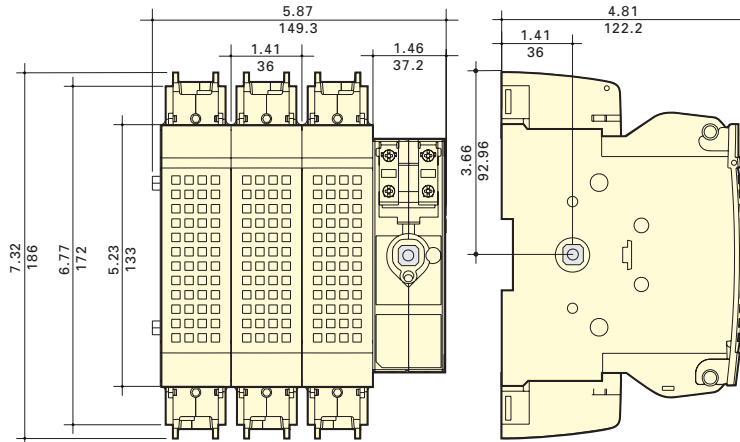
Standard 100 amp Class J

For a complete assembly, select:

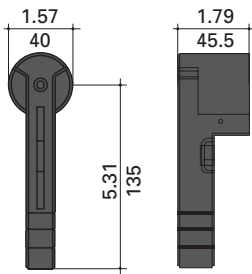
		Switch											
		Amps	Fuse class	Poles	SCCR (kA)	Max horsepower rating					Conductor AWG size/type	Catalog no.	
1-phase	3-phase					DC*							
Switch		100	J	2	200	10	-	-	-	7.5	20	12-10 Sol/12-1 Str 75°C Cu	RDF100J-2
				3		-	30	60	75	7.5	20		RDF100J-3
				4		-	30	60	75	7.5	20		RDF100J-4
* DC ratings use two poles in series.													
PLUS													
Handles		Direct mount handle - mounts directly to switch, no shaft required											
		For switch cat. no.	Color	Test function	Padlockable							Catalog no.	
		All switches	Black	Y	Y							DIR-07	
OR													
Select for standard applications		External front operated pistol handles - shaft required											
		NEMA type	Color	Test function	Padlockable	Defeatable							Catalog no.
		1, 3R, 12	Black	N	Y	Y							H12-03B
			Red/yellow										H12-03R
			Black										H4X-06B
		1, 3R, 4, 4X, 12	Red/yellow	Y	Y	Y							H4X-06R
			Black										H4X-06TB
			Red/yellow										H4X-06TR
		Metallic hasp (heavy duty) external front operated pistol handles - shaft required											
		NEMA type	Color	Test function	Padlockable	Defeatable							Catalog no.
1, 3R, 4, 4X, 12	Black	N	Y	Y							H4X-06BHD		
1, 3R, 4, 4X, 12	Red/yellow										H4X-06RHD		
External right side operated pistol handles - shaft required													
NEMA type	Color	Test function	Padlockable	Defeatable							Catalog no.		
1, 3R, 4, 4X, 12	Black	N	Y	N/A							H4X-06SB		
	Red/yellow										H4X-06SR		
Shafts for pistol handles													
Length — in (mm)	Mounting depth (X) - in (mm)										Catalog no.		
7.9 (200)	5.30~9.06 (135~230)										SH5-200		
12.6 (320)	5.30~13.78 (135~350)										SH5-320		
15.7 (400)	5.30~16.93 (135~430)										SH5-400		
OR													
Accessories		Flange handle (1) - requires shaft operated mechanism or cable operated mechanism + cable											
		NEMA type	Flange style	Test function	Padlockable	Defeatable							Catalog no.
		1, 3R, 4, 12	Standard	N	Y	Y							FLH1
		1, 3R, 4, 4X, 12	Chrome plated										FLH2
		Shaft operated flange mechanism (2) - includes shaft											
		For enclosure depth — in (mm)											Catalog no.
		6~24 (152~613)											FLRM
		Cable operated flange mechanism and cable - must select mechanism (3) and cable (4)											
		Item / length — in (mm)											Catalog no.
		Cable mechanism											FLCM
36 (900) cable											FLC36		
60 (1500) cable											FLC60		
120 (3000) cable											FLC120		
OR													
Aux. contacts		NFPA through the door handle kit - to be used with front pistol handle											
		Color	Test function	Padlockable	Defeatable							Catalog no.	
		Red	N	Y	N							H79-2	
AND...													
Aux. contacts		Auxiliary contacts											
		Contact type	No. of contacts	Continuous amp rating	Voltage (Vac)	Max number of aux contacts per switch							Catalog no.
		NO	1	10	600	4							BAC05
NC							BAC06						

Disconnect switches

Dimensions — in (mm)

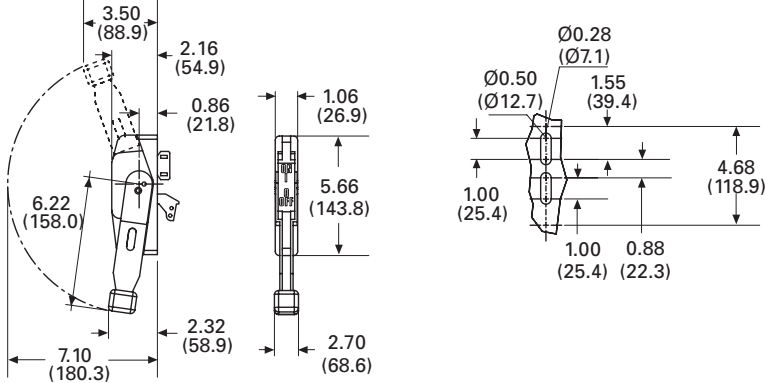


Direct mount handle



DIR-07

Flange handle



FLH_

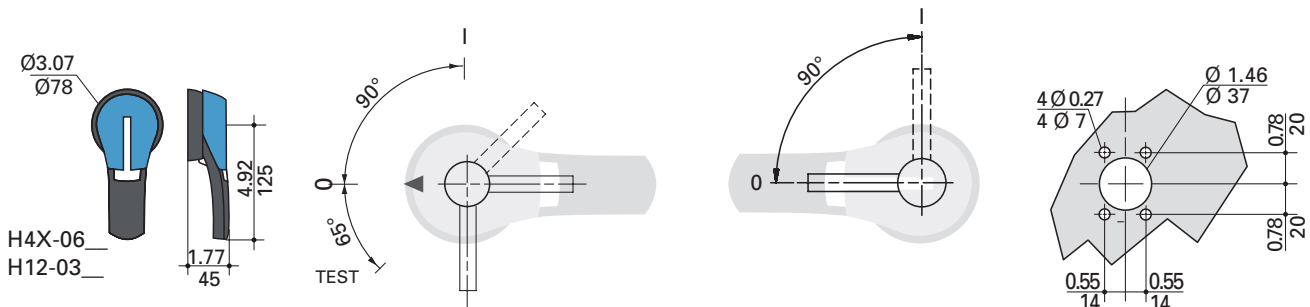
External front and right side pistol handle

Handle type

Direction of front operation

Direction of right side operation

Door drilling layout



Standard 200 and 400 amp Class J

For a complete assembly, select:

Switch + lugs		Switch		Max horsepower rating						Catalog no.		
		Amps	Fuse class	Poles	SCCR (kA)	1-phase	3-phase	440/480	600		DC*	250
Select for standard applications		200	J	2	200	10	-	-	-	-	RDF200J-2	
				3	-	60	125	150	-	-	RDF200J-3	
				4	-	60	125	150	-	-	RDF200J-4	
				2	200	10	-	-	-	20	50	RDF400J-2
		400	3	-	125	250	350	20	50	RDF400J-3		
			4	-	125	250	350	20	50	RDF400J-4		
			* DC ratings use two poles in series.									
			Terminal lug kit									
		Switch amps	Poles	Lugs per kit	AWG wire / type		Catalog no.					
		200	2	2	6-300 kcmil		LUG1-2					
3	3		75°C Cu/Al		LUG1-3							
4	4				LUG1-4							
400	2	2	4-600 kcmil or dual 1/0-250 kcmil		LUG2-2							
	3	3	75°C Cu/Al		LUG2-3							
	4	4			LUG2-4							
PLUS												
Direct mount handle - mounts directly to switch, no shaft required												
For switch cat. no. Color Test function Padlockable Catalog no.												
All switches Black Y Y DIR-07												
OR												
External front operated pistol handles - shaft required												
NEMA type	Color	Test function	Padlockable	Defeatable	Catalog no.							
1, 3R, 12	Black	N			H12-03B							
	Red/yellow				H12-03R							
	Black				H4X-06B							
1, 3R, 4, 4X, 12	Red/yellow	Y	Y	Y	H4X-06R							
	Black				H4X-06TB							
	Red/yellow				H4X-06TR							
Metallic hasp (heavy duty) external front operated pistol handles - shaft required												
NEMA type	Color	Test function	Padlockable	Defeatable	Catalog no.							
1, 3R, 4, 4X, 12	Black	N	Y	Y	H4X-06BHD							
	Red/yellow				H4X-06RHD							
External right side operated pistol handles - shaft required												
NEMA type	Color	Test function	Padlockable	Defeatable	Catalog no.							
1, 3R, 4, 4X, 12	Black	N	Y	N/A	H4X-06SB							
	Red/yellow				H4X-06SR							
Shafts for pistol handles												
Length — in (mm)	Mounting depth (X) — in (mm)		Catalog no.									
7.9 (200)	200 A: 5.70-9.06 (145-230)		SH5-200									
	400 A: 7.87-10.24 (200-260)											
12.6 (320)	200 A: 5.70-13.78 (145-350)		SH5-320									
	400 A: 7.87-16.93 (200-380)											
15.7 (400)	200 A: 5.70-16.93 (145-430)		SH5-400									
	400 A: 7.87-18.10 (200-460)											
OR												
Flange handle (1) 200 A only - requires shaft operated mechanism or cable operated mechanism + cable												
NEMA type	Flange style	Test function	Padlockable	Defeatable	Catalog no.							
1, 3R, 4, 12	Standard	N	Y	Y	FLH1							
1, 3R, 4, 4X, 12	Chrome plated				FLH2							
Shaft operated flange mechanism (2) 200 A only - includes shaft												
For enclosure depth — in (mm) Catalog no.												
6~24 (152~613) FLRM												
Cable operated flange mechanism and cable 200 A only - must select Mechanism (3) and Cable (4)												
Item — in (mm) Catalog no.												
Cable mechanism FLCM												
36 (900) cable FLC36												
60 (1500) cable FLC60												
120 (3000) cable FLC120												

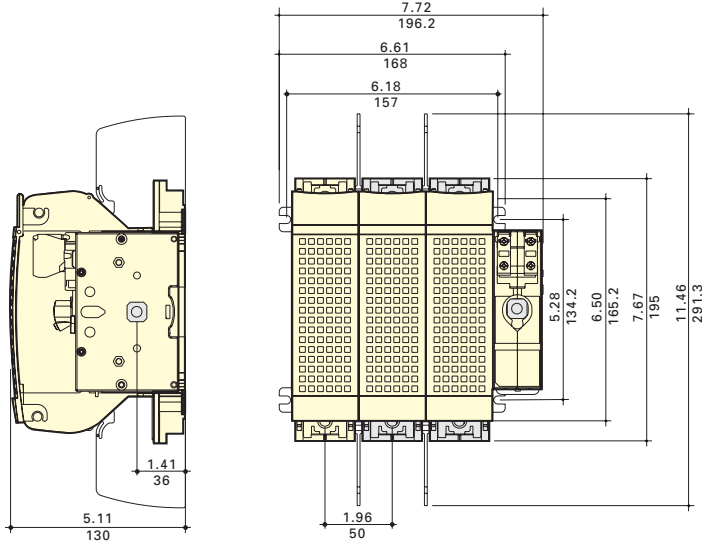
Disconnect switches

Handles

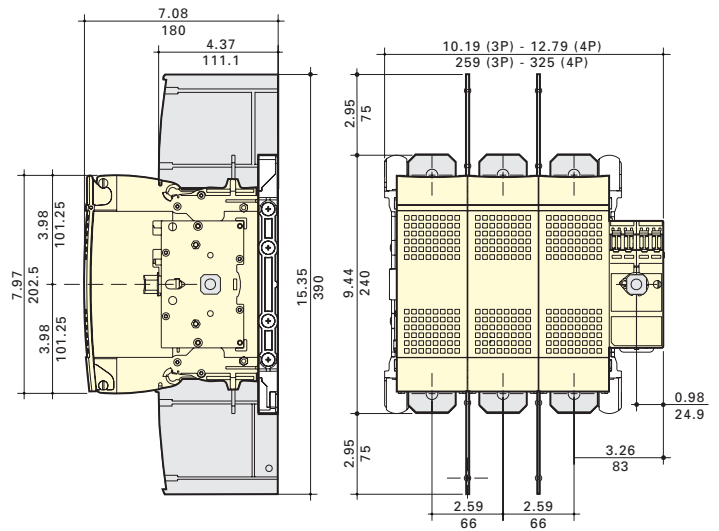
		OR					
		NFPA through the door handle kit - to be used with front pistol handle					
		Use with switch	Color	Test function	Padlockable	Defeatable	Catalog no.
		RDF200J-__					H79-2
		RDF400J-__	Red	N	Y	N	H79-3
		AND...					
Aux. contacts		Auxiliary contacts					
		Contact type	No. of contacts	Continuous amp rating	Voltage (Vac)	Max number of aux contacts per switch catalog number	Catalog no.
		NO	1	10	600	RDF200J-__: 4	BAC05
		NC				RDF400J-__: 8	BAC06
		AND...					
Accessories		Terminal shrouds - includes terminal shroud for lineside or loadside					
		Switch amps	Poles	Catalog no.			
Shrouds		200	2	TSH8-2TB			
			3	TSH8-3TB			
			4	TSH8-4TB			
		400	2	TSH9-2TB			
			3	TSH9-3TB			
			4	TSH9-4TB			

Dimensions — in (mm)

RDF200J-3

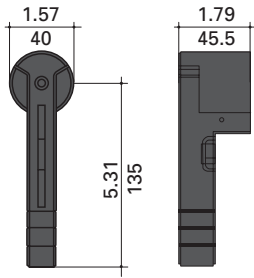


RDF400J-3

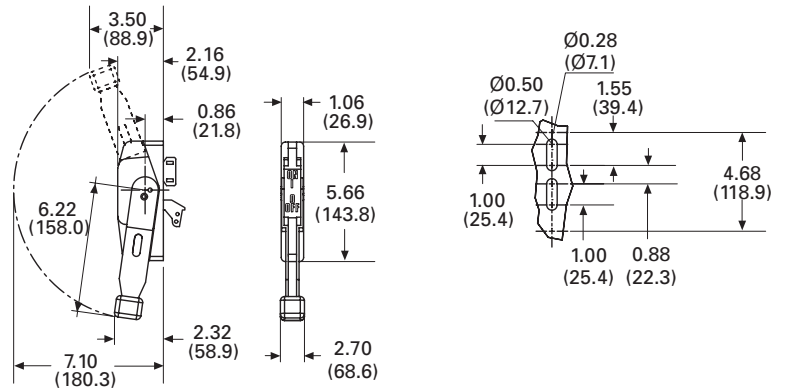


Dimensions — in (mm)

DIR-07 direct mount handle



FLH_ flange handle



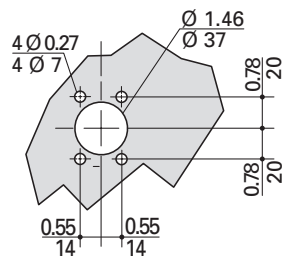
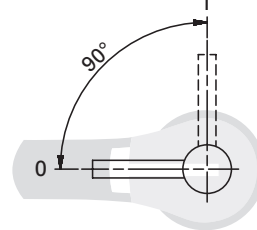
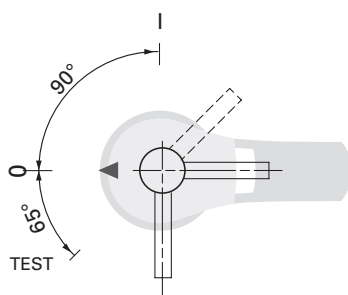
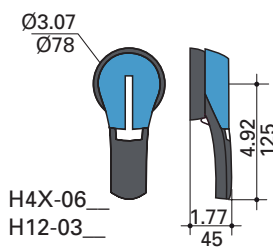
External front and right side pistol handle

Handle type

Direction of front operation

Direction of right side operation

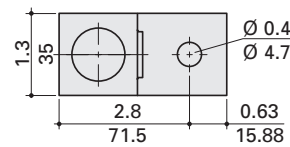
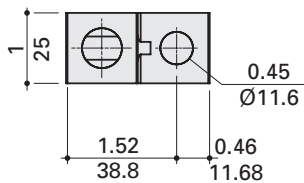
Door drilling layout



Terminal lugs

200 A (LUG1-__)

400 A (LUG2-__)



Disconnect switches

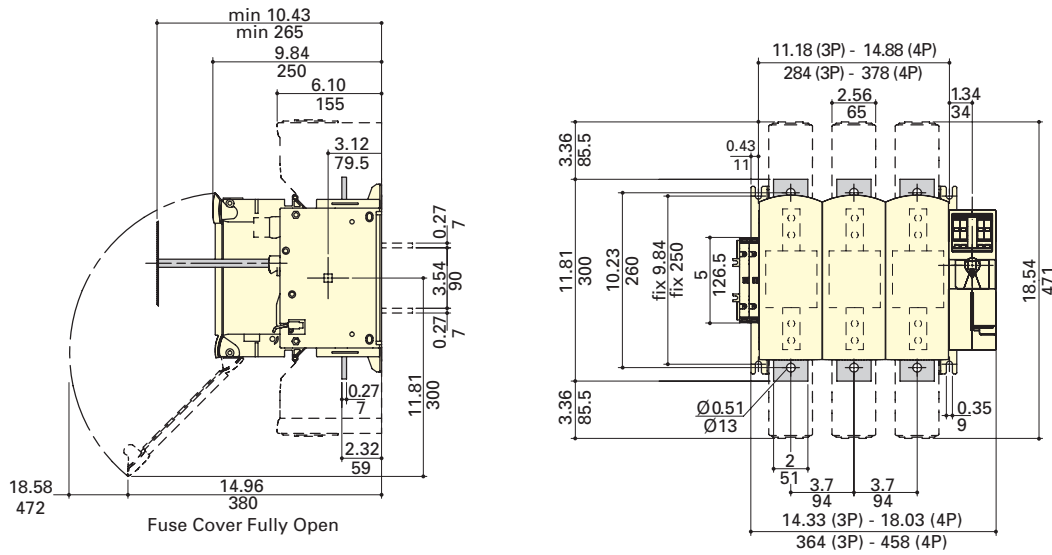
Standard 600 amp Class J and 800 amp Class L

For a complete assembly, select:

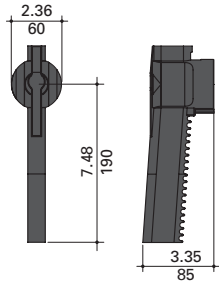
		Switch									
Switch + lugs		Amps	Fuse class	Poles	SCCR (kA)	Max horsepower rating, 3-phase			Catalog no.		
						220/240	440/480	600			
		600	J	2	200	-	-	-	RDF600J-2		
				3		200	400	500	RDF600J-3		
				4		200	400	500	RDF600J-4		
		800	L	2	200	-	-	-	RDF800L-2		
				3		200	500	500	RDF800L-3		
				4		200	500	500	RDF800L-4		
		Terminal lug kit									
		Switch amps	Poles	Lugs per kit	Conductor AWG size / type		Catalog no.				
600-800	2	2			LUG5-2						
	3	3	(2) 2-600 kcmil 75°C Cu/ Al		LUG5-3						
	4	4			LUG5-4						
PLUS											
Select for standard application		Direct mount handle - mounts directly to switch, no shaft required									
		For switch cat. no.	Color	Test function	Padlockable	Defeatable	Catalog no.				
		All switches	Black	Y	Y	N	DIR-08				
		OR									
		External front operated pistol handles - shaft required									
		NEMA type	Color	Test function	Padlockable	Defeatable	Catalog no.				
		1, 3R, 4, 4X, 12	Black	N	Y	Y	H4X-07B				
			Red/yellow				H4X-07R				
		Metallic hasp (heavy duty) external front operated pistol handles - shaft required									
		NEMA type	Color	Test function	Padlockable	Defeatable	Catalog no.				
1, 3R, 4, 4X, 12	Black	N	Y	Y	H4X-07BHD						
	Red/yellow				H4X-07RHD						
Shafts for pistol handles											
Length — in (mm)	Mounting depth (X) — in (mm)		Catalog no.								
7.9 (200)	10.63~11.97 (270~304)		SH7-200								
12.6 (320)	10.63~16.69 (270~424)		SH7-320								
15.7 (400)	10.63~19.84 (270~504)		SH7-400								
OR											
NFPA through the door handle kit - to be used with front pistol handle											
For switch cat. no.	Color	Test function	Padlockable	Defeatable	Catalog no.						
All switches	Red	N	Y	N	H79-4						
AND...											
Aux. contacts		Auxiliary contacts									
		Contact type	No. of contacts	Continuous amp rating	Voltage (Vac)	Max number of aux contacts per switch		Catalog no.			
		NO	1	10	600	8		BAC05			
		NC						BAC06			
		AND...									
		Accessories		Terminal shrouds - includes terminal shroud for lineside or loadside							
				Switch amps	Poles						Catalog no.
				600-800	2						TSH10-2TB
					3						TSH10-3TB
					4						TSH10-4TB

Dimensions — in (mm)

RDF600J-3 and RDF800L-3



Dir-08 direct mount handle

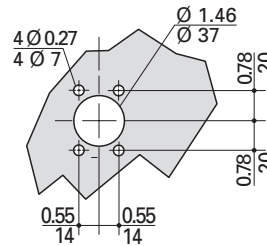
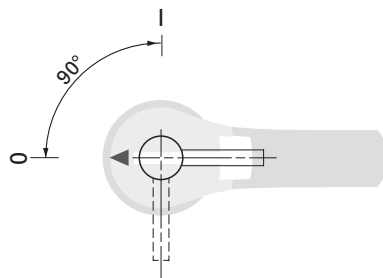
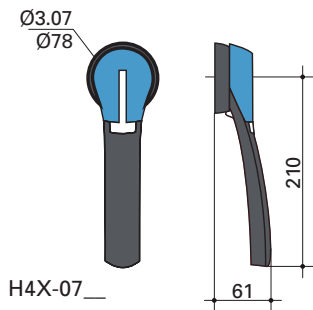


External front pistol handle

Handle type

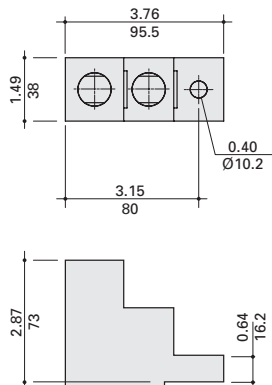
Direction of front operation

Door drilling layout



Terminal lugs

600 to 800 A (LUG5-__)



UL 98 non-fused rotary disconnect switches — 30 to 1200 amps

Bussmann series UL 98 non-fused rotary disconnect switches are versatile switches that “break” and “make” power circuits ON and OFF load.

Agency information

- UL 98, Guide WHTY, File E155130
- CSA 22.2 No. 4, File 257020
- Conforms with IEC 60947-3

Features

- Make and break power under load
- Up to 200 kA SCCR
- Panel mount (30-100 A compact DIN-Rail or panel mount)
- Disconnect switches are front, right side and direct handle operable (30-100 A)
- Finger-safe (30-100 A compact only)
- Fully visualized breaking (100-1200 A)

Online resources

Visit Eaton.com/bussmannseries for:

- CAD drawings
- Instruction sheets
- UL information



Related Bussmann series products

Fuse blocks

- Modular Class H(K), J and RK fuse blocks up to 600 A
- Modular Class H(K), J and RK power distribution fuse blocks up to 400 A
- Modular, finger-safe CH Class CC and J, and UL supplemental and IEC 10x38mm DIN-Rail holders up to 60 A
- Finger-safe Optima Class CC, UL supplemental and IEC 10x38mm DIN-Rail/panel mount holders up to 30 A
- Finger-safe Optima™ Class CC, UL supplemental and IEC 10x38mm DIN-Rail/panel mount protection modules up to 30 A



RD30-3



RD200-3



RD600-3

IEC specifications

		Catalog no.									
3-pole		RD30-3	RD60-3	RD100-3	RD100-3-SCCR	RD200-3	RD400-3	RD600-3	RD800-3	RD1000-3	RD1200-3
4-pole		—	—	—	—	RD200-4	RD400-4	RD600-4	RD800-4	RD1000-4	RD1200-4
Thermal current I_{th} @ 40°C (A)		30	60	100	100	200	400	—	—	—	—
Rated insulation voltage U_i (V)		800	800	800	1000	1000	1000	1000	1000	1000	1000
Rated impulse withstand voltage U_{imp} (kV)		8	8	8	8	8	8	12	12	12	12
Rated operation currents I_n (A)											
Rated voltage (Vac)	Load duty category	A ¹	A ¹	A ¹	A ¹	A ¹	A ¹	A ¹	A ¹	A ¹	A ¹
	AC-22 A			100		200	400	630	800	1000	1200
400	AC-23 A	32	63	80	100			500	630	630	630
	AC-22 A			63				315	200	400	400
690	AC-23 A										
Operational power (Vac) in AC-23 (kW)											
400 V w/o prebreak AC ^{1,2}		15	30	45	51	100	220	355	450	560	560
500 V w/o prebreak AC ^{1,2}					63	140	280	450	560	560	560
690 V w/o prebreak AC ^{1,2}		18.5			90	185	185	185	400	400	400
Overload capacity (U_n 415 Vac)											
Rated short-circuit making capacity I_{cm} (kA peak) ³		12	12	12	17.6	32	48	48	75	48	75
Fuse protected short-circuit withstand											
(kA RMS prospective)											
Short-circuit current (kA) ³		50	50	25	200	200	200	100	100	100	100
Associated fuse rating (A) ³		32	63	100	100	400	400	630	800	1000	1250
Connection											
Minimum Cu cable cross section (mm ²)		2.5	2.5	10	35	70	185	2x150	2x185	2x240	—
Minimum Cu busbar section (mm ²)		—	—	—	—	—	—	2x30x5	2x40x5	2x50x5	2x60x5
Maximum Cu cable section (mm ²)		70	70	70	300	300	600	—	—	—	—

1 A/B: Category with index A = frequent operation; category with index B = infrequent operation.

2 The power value is given for information only; the current values vary from one manufacturer to another.

3 For a rated operating voltage, $U_e = 400$ Vac.



RD30-3



RD200-3



RD600-3


UL specifications

Catalog no.										
3-pole	RD30-3	RD60-3	RD100-3	RD100-3-SCCR	RD200-3	RD400-3	RD600-3	RD800-3	RD1000-3	RD1200-3
4-pole	—	—	—	—	RD200-4	RD400-4	RD600-4	RD800-4	RD1000-4	RD1200-4
UL standard	UL 98	UL 98	UL 98	UL 98	UL 98	UL 98	UL 98	UL 98	UL 98	UL 98
Max ampacity	30 A	60 A	100 A	100 A	200 A	400 A	600 A	800 A	1000 A	1200 A
Switch type	Compact	Compact	Compact	Standard	Standard	Standard	Standard	Standard	Standard	Standard
Handle operation	Front/Side	Front/Side	Front/Side	Front	Front	Front	Front	Front	Front	Front
UL electrical ratings										
Max voltage (AC)	600 Vac	600 Vac	600 Vac	600 Vac	600 Vac	600 Vac	600 Vac	600 Vac	600 Vac	600 Vac
Max voltage (DC)	—	—	—	250 Vdc	250 Vdc	—	250 Vdc	—	—	—
Max. AC Hp ratings	1-phase, 120	2	3	5	—	—	—	—	—	—
	1-phase, 240	5	10	10	10	10	—	—	—	—
	3-phase, 240	10	20	20	30	75	125	200	200	200
	3-phase, 480	20	40	50	75	150	250	400	500	500
	3-phase, 600	25	50	50	100	200	350	350	500	500
DC Hp ratings	125	—	—	—	—	—	20	—	—	—
	250	—	—	—	—	—	50	—	—	—
Electrical characteristics										
SCCR with fuse (kA)	100	100	25 /100*	200	200	200	200	100	100	100
Fuse class	J	J	J	J	J	J	J	L	L	L
Max. fuse rating (A)	30	60	100	10A	200	400	600	800	1000	1200
Terminal lugs/kits	Integral	Integral	Integral	•	•	•	•	•	•	•
Lug mounting torque - lb-in (N•m)	—	—	—	160 (18)	160 (18)	LUG2_- 310 (35) LUG3_- 398 (45)	310 (35)	310 (35)	310 (35)	310 (35)
Wire type	75°C Cu	75°C Cu	75°C Cu	75°C Cu/ Al	75°C Cu/ Al	75°C Cu/ Al	75°C Cu/ Al	75°C Cu/ Al	75°C Cu/ Al	75°C Cu/ Al
Wire range and torque - lb-in (N•m)	Solid	12-10, 35.4 (4)	12-10, 35.4 (4)	12-10, 35.4 (4)	—	—	—	—	—	—
		10-1, 35.4 (4)	10-1, 35.4 (4)	10-1, 35.4 (4)	6-300 kcmil, 275 (31)	6-300 kcmil, 275 (31)	LUG2_- 4-600 kcmil, 550 (62)	(2) 2-600 kcmil, 375 (42.4)	(4) 2-600 kcmil, 375 (42.4)	(4) 2-600 kcmil, 375 (42.4)
	Stranded	1/0, 39.8 (4.5)	1/0, 39.8 (4.5)	1/0, 39.8 (4.5)	2/0, 44.3 (5)	2/0, 44.3 (5)	Dual 1/0-250 kcmil, 550 (62) LUG3_-: (2) 6-2, 200 (22.6) (2) 1-350 kcmil, 375 (42.4)	—	—	—
		2/0, 44.3 (5)	2/0, 44.3 (5)	2/0, 44.3 (5)	—	—	—	—	—	—
Mechanical characteristics										
Endurances/Cycles	10,000	10,000	10,000	10,000	8000	6000	6000	3500	3500	3500
Physical characteristics										
Dimensions	See drawings on product pages									
Weight - lbs (kg)	3-pole	1.3 (0.6)	1.3 (0.6)	1.3 (0.6)	4.2 (1.91)	4.2 (1.91)	10.0 (4.6)	18.1 (8.2)	19.6 (8.9)	19.6 (8.9)
	4-pole	—	—	—	—	5.0 (2.3)	12.3 (5.6)	23.9 (10.9)	25.3 (11.5)	25.3 (11.5)
Environmental										
Operating Temperature	-20 to 70°C	-20 to 70°C	-20 to 70°C	-20 to 70°C	-20 to 70°C	-20 to 70°C	-20 to 70°C	-20 to 70°C	-20 to 70°C	-20 to 70°C
Flammability Rating	UL 94-V0	UL 94-V0	UL 94-V0	UL 94-V0	UL 94-V0	UL 94-V0	UL 94-V0	UL 94-V0	UL 94-V0	UL 94-V0
Accessories										
Lug kit cat. no.	3-pole	Integral	Integral	Integral	•	•	•	•	•	•
	4-pole	—	—	—	—	—	—	—	—	—
Handles	NEMA 1, 3R, 12	•	•	•	•	•	•	—	—	—
	NEMA 1, 3R, 4, 4X, 12	•	•	•	•	•	•	•	•	•
	Direct	•	•	•	•	•	•	•	•	•
	Front Pistol	•	•	•	•	•	•	•	•	•
	Front or Side Selector	•	•	•	—	—	—	—	—	—
	Shaft c/s - mm	5x5	5x5	5x5	10x10	10x10	10x10	12x12	12x12	12x12
Shaft guide	•	•	•	•	•	•	•	•	•	•
Shrouds	•	•	•	•	•	•	•	•	•	•
Additional pole accessory	•	•	•	—	—	—	—	—	—	—
Auxiliary contacts	NO + NC	•	•	•	•	•	•	•	•	•
	(2) NO	•	•	•	—	—	—	—	—	—

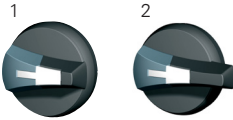
• Available, see product page for details and catalog numbers.
 — Not available.
 * 25 kA @ 600 Vac, 100 kA @ 480 Vac.

UL 98 non-fused rotary disconnect switches — 30, 60 and compact 100 A

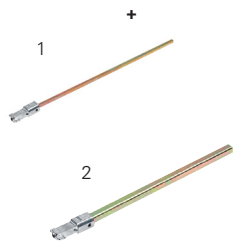
For a complete assembly, select:

		Switch		Max horsepower rating				Conductor AWG size/type	Catalog no.			
		Amps	Poles	SCCR (kA)	1-phase	3-phase						
Switch		30	3	100	120	220/240	220/240	440/480	600	10-2/0 Str/12-10 Sol 75°C Cu	RD30-3	
		60		3	10	3	10	20	40		50	RD60-3
		100		25/100*	5	10	20	50	50		50	RD100-3
* 100 kA @480 Vac, 25 kA @ 600 Vac.												
PLUS												
Direct mount handle - mounts directly to switch, no shaft required												
		For switch cat. no.	Color	Test function	Padlockable		Catalog no.					
		All switches	Black	N	Y - On Switch		DIR-02					
OR												
External front or right side operated selector handles - shaft required												
		NEMA type	Color	Handle length	Test function	Padlockable		Catalog no.				
		1, 3R, 4, 4X, 12	Black	Short	N	Y		H4X-01B (1)				
			Red/yellow	Short				H4X-01R (1)				
			Black	Long				H4X-02B (2)				
			Red/yellow	Long				H4X-02R (2)				
External front operated pistol handles - shaft required												
		NEMA type	Color	Handle length	Test function	Padlockable	Defeatable		Catalog no.			
		1, 3R, 4, 4X, 12	Black	—	N	Y	Y		H4X-03B			
			Red/yellow	—		Y	Y		H4X-03R			
Metallic hasp (heavy duty) external front operated pistol handles - shaft required												
		NEMA type	Color	Handle length	Test function	Padlockable	Defeatable		Catalog no.			
		1, 3R, 4, 4X, 12	Black	—	N	Y	Y		H4X-03BHD			
			Red/yellow	—		Y	Y		H4X-03RHD			
Shafts for selector handles												
		Length — in (mm)	Mounting depth (X) — in (mm)		Catalog no.							
		5.9 (150)	3.50~7.60 (89~193)		SH4-150 (1)							
		7.9 (200)	3.50~9.50 (89~241)		SH4-200 (1)							
		12.6 (320)	3.50~14.9 (89~378)		SH4-320 (1)							
Shafts for pistol handles												
		Length — in (mm)	Mounting depth (X) — in (mm)		Catalog no.							
		7.9 (200)	3.30~7.40 (84~188)		SH3-200 (2)							
		12.6 (320)	3.30~9.30 (84~236)		SH3-320 (2)							
		15.7 (400)	3.30~14.7 (84~373)		SH3-400 (2)							
Shaft guide for selector handles												
		Required for 12.6" (320mm) long shafts, optional for other lengths								Catalog no.		
										SH-GUIDE1		
Shaft guide for pistol handles												
		Required for 15.7" (400mm) long shafts, optional for other lengths								Catalog no.		
										SH-GUIDE2		
AND...												
Aux. contacts		Auxiliary contacts										
		Contact type	No. of contacts	Continuous amp rating	Voltage (Vac)	Max number of units per switch		Catalog no.				
		NO + NC	1 of each	10	240	2 (1 per side/4 contacts total)		BAC01				
NO	2	2 (1 per side/4 contacts total)				BAC02						
AND...												
Shrouds		Terminal shrouds - includes terminal shroud for both lineside and loadside										
		Switch amps	Poles	Location on switch				Catalog no.				
		All switches	1 (for switched 4th pole) 3	Lineside and loadside				TSH3-1TB TSH3-3TB				
AND...												
Sw. 4 th pole		Switched 4th Pole - converts 3-pole switch to 4-pole										
		Switch amps	Catalog no.									
		30	POLE98-30									
		60	POLE98-60									
		100	POLE98-100									

Select for standard application



Or



Auxiliary contact configurations

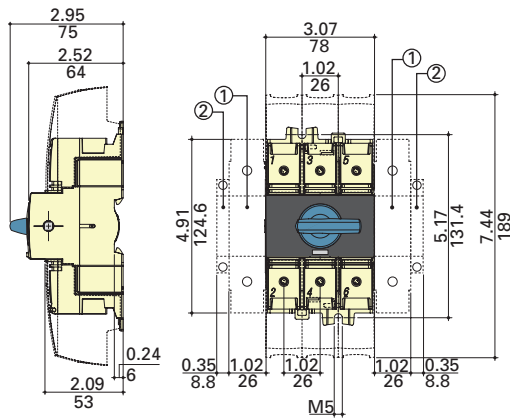


Possible 4th pole configurations

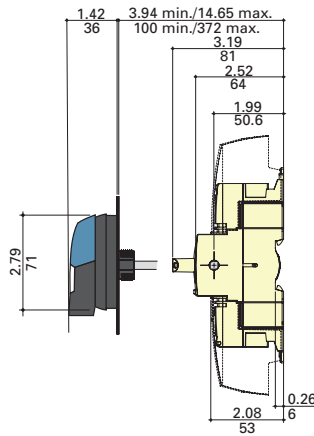


Dimensions - in (mm)

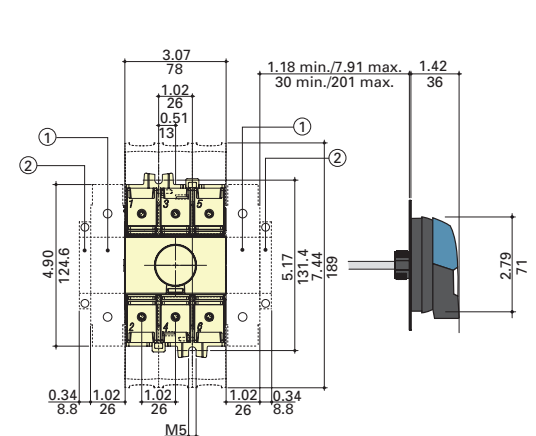
Direct handle operation



External front operation



External right side operation

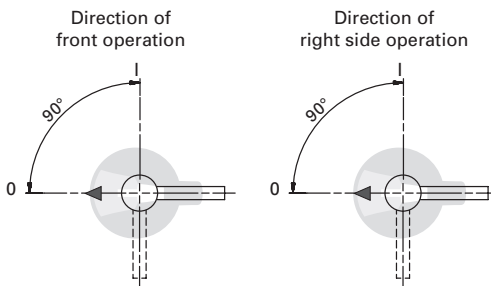
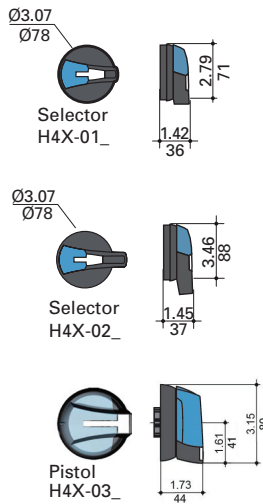


Disconnect switches

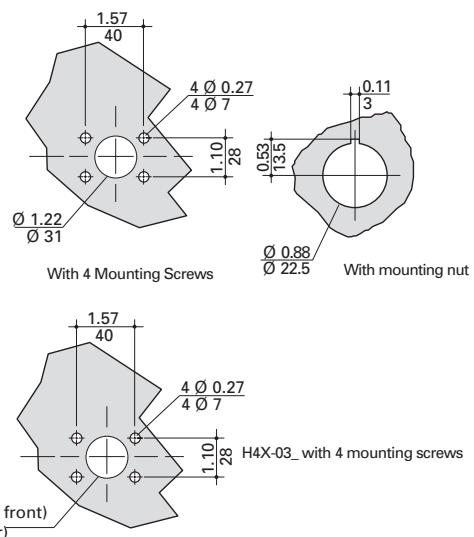
1. Position for 1 switched 4th pole (1 per device max.) or 1 auxiliary contact.
 2. Position for 1 auxiliary contact only.
- Note: Maximum of 4 Auxiliary contacts, or 3 Auxiliary contacts + one switched 4th pole.

External front/right side operated selector handle, front operated pistol handle

Handle type



Door drilling layouts



Ø 1.45in/37mm screw clip (from front)
Ø 1.22in/31mm screw (from rear)

UL 98 non-fused rotary disconnect switches—100, 200 and compact 400 A

For a complete assembly, select:

		Switch							
Switch				Max horsepower rating					
				1-phase		3-phase			
		Amps	Poles	SCCR (kA)	220/240	220/240	440/480	600	Catalog no.
		100	3		10	30	75	100	RD100-3-SCCR
		200	4	200	10	75	150	200	RD200-3
					10	75	150	200	RD200-4
		400	3		-	125	250	350	RD400-3
					-	125	250	350	RD400-4
		Terminal lug kit							
		Switch amps	Poles	Lugs per kit	Conductor AWG size/type			Catalog no.	
100-200	2	2	6-300 kcmil			LUG1-2			
	3	3	75°C Cu/ Al			LUG1-3			
	4	4				LUG1-4			
400	2	2	4-600 kcmil or Dual 1/0-250 kcmil			LUG2-2			
	3	3	75°C Cu/ Al			LUG2-3			
	4	4				LUG2-4			
	2	2	(2) 6-350 kcmil			LUG3-2			
	3	3	75°C Cu/ Al			LUG3-3			
	4	4				LUG3-4			
	PLUS								
Direct mount handle - mounts directly to switch, no shaft required									
For switch cat. no.		Color	Test function	Padlockable	Catalog no.				
All switches		Black	N	Y	DIR-03				
OR									
External front operated pistol handles - shaft required									
NEMA type	Color	Test function	Padlockable	Defeatable	Catalog no.				
1, 3R, 12	Black	N	Y	Y	H12-03B				
	Red/yellow				H12-03R				
1, 3R, 4, 4X, 12	Black				H4X-06B				
	Red/yellow				H4X-06R				
Metallic hasp (heavy duty) external front operated pistol handles - shaft required									
NEMA type	Color	Test function	Padlockable	Defeatable	Catalog no.				
1, 3R, 4, 4X, 12	Black	N	Y	Y	H4X-06BHD				
	Red/yellow				H4X-06RHD				
Shafts for pistol handles									
Length — in (mm)	Mounting depth (X) - in (mm)					Catalog no.			
7.9 (200)	5.31 ~ 10.43 (135~265)					SH5-200			
12.6 (320)	5.31 ~ 15.16 (135~385)					SH5-320			
15.7 (400)	5.31 ~ 18.31 (135~465)					SH5-400			
Shaft Guide									
Required for 15.71 (400mm) long shafts, optional for other lengths							SH-GUIDE2		
AND...									
Auxiliary contacts									
Contact type	No. of contacts	Continuous amp rating	Voltage Vac	Max number of aux contacts per switch	Catalog no.				
NO + NC	1 of each	10.1	125-250	2	BAC03*				
NO + NC					BAC04*				
NO + NC	1	1	125		BAC11*				
NO + NC					BAC12*				
* For one auxiliary contact, install either BAC03 or BAC11. For two auxiliary contacts, install BAC03 + BAC04, or BAC11 + BAC12.									
AND...									
Terminal shrouds - includes terminal shroud for Lineside or loadside									
Switch amps	Poles	Location on switch			Catalog no.				
100-200	3	Lineside			TSH4-3T				
		Loadside			TSH4-3B				
4	4	Lineside or loadside			TSH4-4TB				
		Lineside			TSH5-3T				
400	3	Loadside			TSH5-3B				
		Lineside or loadside			TSH5-4TB				
AND...									
Shrouds									

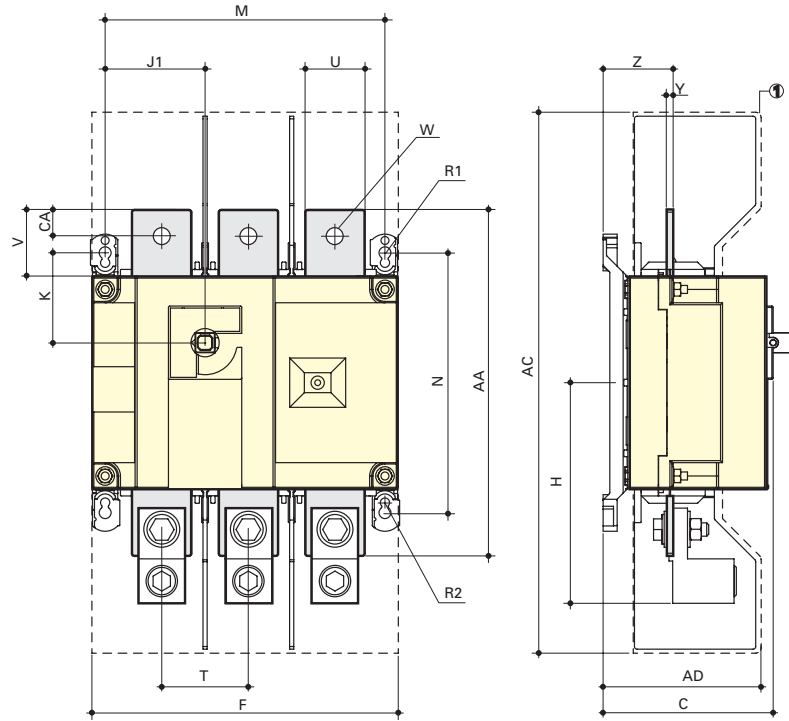
Select for standard application

Handle

Aux. contacts

Shrouds

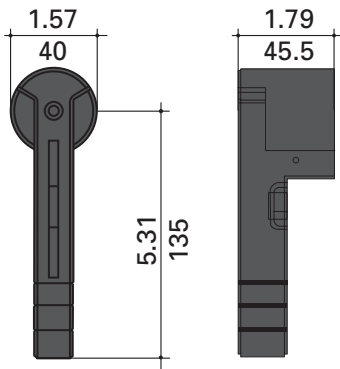
Dimensions — in (mm)



Disconnect switches

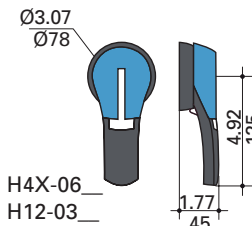
Switch amps	Overall dim. C	Terminal shrouds		Switch body						Switch mounting				Connection								
		AC	AD	F 3p.	F 4p.	H	J1 3p.	J1 4p.	K	M 3p.	M 4p.	N	R1	R2	T	U	V	W	Y	Z	AA	AC
100	3.72 (95)	10.1 (256)	3.05 (78)	7.09 (180)	9.06 (230)	4.22 (107)	2.17 (55)	4.13 (105)	1.8 (46)	6.3 (160)	8.27 (210)	5.31 (135)	0.35 (9)	0.27 (7)	1.97 (50)	0.98 (25)	1.18 (30)	0.43 (11)	0.14 (4)	1.35 (34)	6.3 (160)	0.6 (15)
200	3.72 (95)	10.1 (256)	3.05 (78)	7.09 (180)	9.06 (230)	4.22 (107)	2.17 (55)	4.13 (105)	1.8 (46)	6.3 (160)	8.27 (210)	5.31 (135)	0.35 (9)	0.27 (7)	1.97 (50)	0.98 (25)	1.18 (30)	0.43 (11)	0.14 (4)	1.35 (34)	6.3 (160)	0.6 (15)
400	4.92 (128)	16 (406)	4.15 (115)	9.05 (230)	11.4 (290)	6.53 (166)	2.95 (75)	5.31 (135)	2.65 (68)	8.26 (210)	10.6 (270)	7.67 (195)	0.35 (9)	0.27 (7)	2.56 (65)	1.77 (45)	1.97 (50)	0.43 (13)	0.2 (5)	2.08 (53)	10.2 (260)	0.8 (20)

DIR-03 direct mount handle

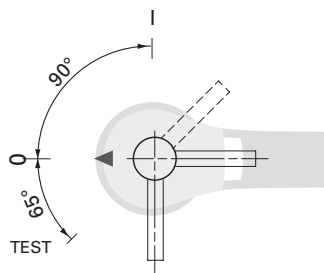


External front handle

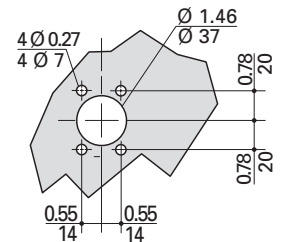
Handle type



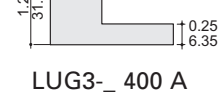
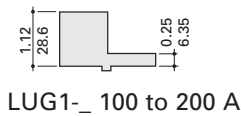
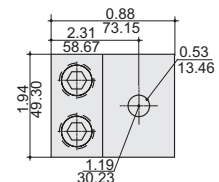
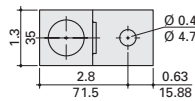
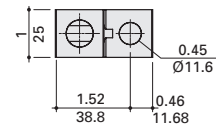
Direction of front operation



Door drilling layout



Terminal lugs



LUG1_ 100 to 200 A

LUG2_ 400 A

LUG3_ 400 A

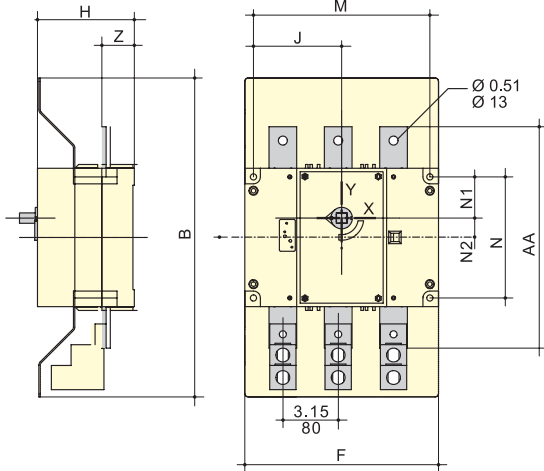
UL 98 non-fused rotary disconnect switches — 600, 800, 1000 and 1200 A

For a complete assembly, select:

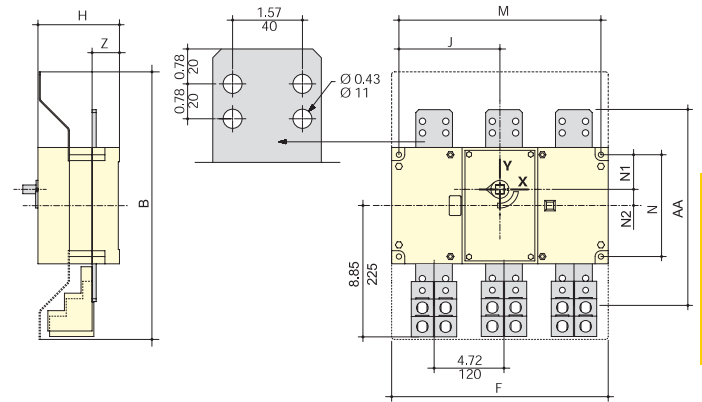
Switch			Switch		Max horsepower rating					
	Amps	Poles	SCCR (kA)	3-phase		DC*		250	Catalog no.	
	600	3	200	220/240	440/480	600	125	50	RD600-3	
		4		240	400	350	20	50	RD600-4	
	800	3	100	200	500	500	-	-	RD800-3	
		4		200	500	500	-	-	RD800-4	
	1000	3	100	200	500	500	-	-	RD1000-3	
		4		200	500	500	-	-	RD1000-4	
	1200	3	100	200	500	500	-	-	RD1200-3	
		4		200	500	500	-	-	RD1200-4	
* DC ratings use two poles in series.										
Terminal lug kit			Terminal lug kit		Lugs per kit		Lugs required per pole		Conductor AWG size/type	
	Switch amps	Poles							Catalog no.	
	600	3	3		1		(2) 2-600 kcmil		LUG5-3	
		4	4				75°C Cu/ Al		LUG5-4	
	800-1200	3	6		2		(4) 2-600 kcmil		LUG6-6	
		4	8				75°C Cu/ Al		LUG6-8	
	PLUS									
	Direct mount handle - mounts directly to switch, no shaft required									
			For switch cat. no.		Color	Test function	Padlockable	Catalog no.		
			All switches		Black	N	Y	DIR-04		
OR										
Handles			External front operated pistol handles - shaft required		NEMA type		Color	Test function	Padlockable	Defeatable
							Black			
			1, 3R, 4, 4X, 12				Red/yellow	N	Y	Y
							Black			
							Red/yellow			
							Black			
							Red/yellow			
							Black			
							Red/yellow			
							Black			
						Red/yellow				
Metallic hasp (heavy duty) external front operated pistol handles - shaft required										
		NEMA type		Color	Test function	Padlockable	Defeatable	Catalog no.		
		1, 3R, 4, 4X, 1		Black				H4X-07BHD (3)		
				Red/yellow	N	Y	Y	H4X-07RHD (3)		
				Black				H4X-08BHD (4)		
				Red/yellow				H4X-08RHD (4)		
Shafts for pistol handles										
		Length — in (mm)		Mounting depth (X) — in (mm)		Catalog no.				
		7.9 (200)		8.70~13.50 (221~343)		SH6-200				
		12.6 (320)		8.70~18.23 (221~463)		SH6-320				
		15.7 (400)		8.70~21.38 (221~543)		SH6-400				
Shaft guide										
				Required for 15.7" (400mm) long shafts, optional for other lengths		Catalog no.				
						SH-GUIDE2				
AND...										
Aux. contacts			Auxiliary contacts		Contact type	No. of contacts	Continuous amp rating	Voltage (Vac)	Max number of aux contacts per switch	Catalog no.
					NO + NC	1 of each	10.1	125-250	2	BAC03*
					NO + NC	1 of each				BAC04*
					NO + NC	1 of each	1	125		BAC11*
					NO + NC	1 of each				BAC12*
	* For one auxiliary contact, install either BAC03 or BAC11. For two auxiliary contacts, install BAC03 + BAC04, or BAC11 + BAC12.									
	AND...									
	Shrouds			Terminal shrouds* — includes terminal shroud for lineside or loadside		Switch amps	Poles	Location on switch		Catalog no.
						600	3			TSH6-3TB
							4	Lineside or loadside		TSH6-4TB
				800-1200	3			TSH7-3TB		
					4			TSH7-4TB		
* Shroud for lineside included with switch.										

Dimensions — in (mm)

600 A



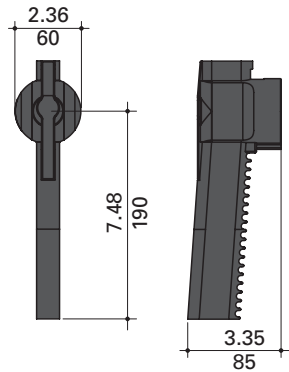
800 to 1200 A



Disconnect switches

Switch amps	Terminal shrouds B	Switch body				Switch mounting				Connection			
		F 3p.	F 4p.	H	J 3p.	J 4p.	M 3p.	M 4p.	N	N1	N2	A A	Z
600	18.12 (460)	11 (280)	14.17 (360)	5.5 (140)	5 (128)	6.59 (168)	10.03 (255)	13.19 (335)	6.88 (175)	2.34 (60)	1.1 (28)	12.6 (320)	1.85 (47)
800	18.12 (460)	14.64 (372)	19.37 (492)	5.5 (140)	6.83 (174)	9.19 (234)	13.66 (347)	18.38 (467)	6.88 (175)	2.34 (60)	1.1 (28)	13 (330)	1.85 (47)
1000	18.12 (460)	14.64 (372)	19.37 (492)	5.5 (140)	6.83 (174)	9.19 (234)	13.66 (347)	18.38 (467)	6.88 (175)	2.34 (60)	1.1 (28)	13 (330)	1.85 (47)
1200	18.12 (460)	14.64 (372)	19.37 (492)	5.5 (140)	6.83 (174)	9.19 (234)	13.66 (347)	18.38 (467)	6.88 (175)	2.34 (60)	1.1 (28)	13 (330)	1.85 (47)

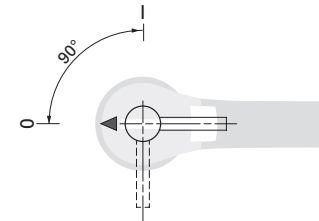
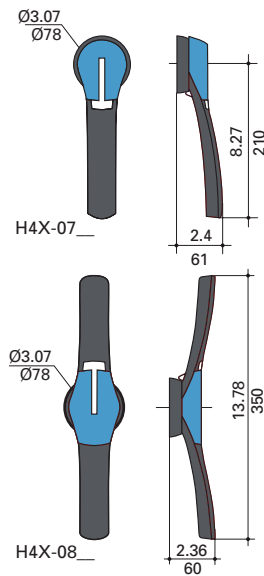
DIR-04 Direct mount handle



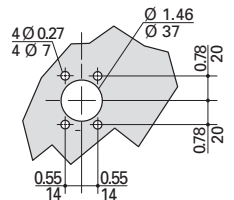
External front pistol handles

Handle Type

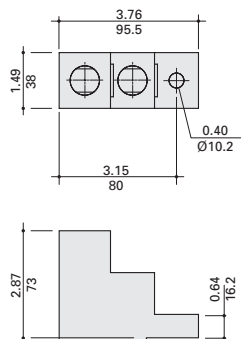
Direction of Front Operation



Door drilling layout



Terminal lugs



LUG5-_, LUG6-_ 600 to 1200 A

UL 508 non-fused rotary disconnect switches — 16 to 80 A

Eaton UL 508 load break disconnect switches allow safe control and safe disconnection of any motor application or to isolate a circuit within the panel.

These disconnect switches are compact and offer a wide variety of accessories like 4th poles, Auxiliary contacts, door mounting and 6/8-Pole kits.

Features

- Suitable for motor disconnect
- DIN-Rail or panel mount
- Door mount option
- Disconnect switches are front, right side or direct handle operable
- Finger-safe

Agency information

- UL 508, Guide NLRV, File E155129
- CSA C22.2 No. 14, File 257020
- Conforms with IEC 60947-3

Online resources

Visit Eaton.com/bussmannseries for:

- CAD drawings
- Instruction sheets
- UL information



Related Bussmann series products

Fuse blocks

- Modular Class H(K), J and RK fuse blocks up to 600 A
- Modular Class H(K), J and RK power distribution fuse blocks up to 400 A
- Modular, finger-safe CH Class CC and J, and UL supplemental and IEC 10x38mm DIN-Rail holders up to 60 A
- Finger-safe Optima Class CC, UL supplemental and IEC 10x38mm DIN-Rail/panel mount holders up to 30 A
- Finger-safe Optima™ Class CC, UL supplemental and IEC 10x38mm DIN-Rail/panel mount protection modules up to 30 A

IEC specifications

RD16-3-508



RD16-3-508 with 6-pole conversion kit



Catalog no.		RD16-3-508	RD25-3-508	RD40-3-508	RD63-3-508	RD80-3-508
Thermal current I_n at 40°C (A)		16	25	40	63	80
Rated insulation voltage U_i (V)		800	800	800	800	800
Rated impulse withstand voltage U_{imp} (kV)		8	8	8	8	8
Rated operation currents I_e (A)						
Load duty category	Rated voltage	A/B ¹	A/B ¹	A/B ¹	A/B ¹	A/B ¹
500	AC-22 A/ AC-22 B	16/16	25/25	40/40	63/63	80/80
	AC-23A/ AC-23 B	16/16	25/25	25/25	63/63	63/63
690	AC-21 A/ AC-21 B	16/16	25/25	40/40	63/63	80/80
	AC-22 A/ AC-22 B	16/16	25/25	32/40	40/63	63/80
	AC-23A/ AC-23 B	16/16	25/25	25/25	40/40	40/40
Operational power in AC-23 (kW)						
400 Vac without prebreak AC ^{1,2}		7.5	11	18.5	30	37
500 Vac without prebreak AC ^{1,2}		7.5	11	15	30	37
690 Vac without prebreak AC ^{1,2}		7.5	15	18.5	30	37
Overload capacity (U_o 415 Vac)						
Rated short-time withstand current 0.3 s. ICW (kA RMS) ³		2.5	2.5	2.5	3	3
Rated short-time making capacity I_{sm} (kA peak) ³		6	6	6	9	9
Fuse protected short-circuit withstand (kA RMS prospective)						
Prospective short-circuit current (kA RMS) ³		50	50	50	50	50
Associated fuse rating (A) ³		16	25	40	63	80
Connection						
Minimum Cu cable cross section (mm ²)		1.5	1.5	1.5	2.5	2.5
Maximum Cu cable section (mm ²)		16	16	16	35	35
Tightening torque min/max (N•m)		2/2.2	2/2.2	2/2.2	3.5/3.85	3.5/3.85

¹ A/B: Category with index A = frequent operation; category with index B = infrequent operation.

² The power value is given for information only; the current values vary from one manufacturer to another.

³ For a rated operating voltage, $U_o = 400$ Vac.

UL specifications

RD16-3-508



RD16-3-508 with 6-pole conversion kit



Catalog no.		RD16-3-508	RD25-3-508	RD40-3-508	RD63-3-508	RD80-3-508
UL standard		UL 508	UL 508	UL 508	UL 508	UL 508
Max ampacity		16 A	25 A	40 A	63 A	80 A
Handle operation		Front/Side	Front/Side	Front/Side	Front/Side	Front/Side
UL ratings						
Max voltage (AC)		600 Vac	600 Vac	600 Vac	600 Vac	600 Vac
Max. Hp ratings	3-phase, 208	3	7.5	7.5	15	15
	3-phase, 240	5	7.5	7.5	20	20
	3-phase, 480	10	15	20	40	40
	3-phase, 600	10	20	25	40	40
Electrical characteristics						
SCCR with fuse (kA)		65	65	10/65	50/65	50/65
Recommended upstream	Fuse class	J	J	J	J	J
	Max. fuse rating (A)	30	30	60/30	100/60	100/60
Terminals		Integral	Integral	Integral	Integral	Integral
Wire type		75°C Cu	75°C Cu	75°C Cu	75°C Cu	75°C Cu
Wire range and torque - lb-in (N•m)	Solid single	14-10, 26.5 (3)	14-10, 26.5 (3)	14-10, 26.5 (3)	14-10, 31.1 (3.5)	14-10, 31.1 (3.5)
	Solid dual	12, 26.5 (3)	12, 26.5 (3)	12, 26.5 (3)	12, 31.1 (3.5)	12, 31.1 (3.5)
	Stranded single	14-4, 26.5 (3)	14-4, 26.5 (3)	14-4, 26.5 (3)	14-1, 31.1 (3.5)	14-1, 31.1 (3.5)
	Stranded dual	14-12, 26.5 (3)	14-12, 26.5 (3)	14-12, 26.5 (3)	10-6, 31.1 (3.5)	10-6, 31.1 (3.5)
Mechanical characteristics						
Endurances/cycles		10,000	10,000	10,000	10,000	10,000
Physical characteristics						
Dimensions		See drawings on product pages				
Weight- lb (kg)		0.5 (0.2)	0.5 (0.2)	0.5 (0.2)	0.7 (0.32)	0.7 (0.32)
Environmental						
Operating temperature		-20 to 70°C	-20 to 70°C	-20 to 70°C	-20 to 70°C	-20 to 70°C
Flammability rating		UL 94-V0	UL 94-V0	UL 94-V0	UL 94-V0	UL 94-V0
Accessories						
Handles	Direct	DIR-01	DIR-01	DIR-01	DIR-01	DIR-01
	Short selector/NEMA 1, 3R, 4, 4X, 12	H4X-01B	H4X-01B	H4X-01B	H4X-01B	H4X-01B
		H4X-01R	H4X-01R	H4X-01R	H4X-01R	H4X-01R
	Long selector/NEMA 1, 3R, 4, 4X, 12	H4X-02B	H4X-02B	H4X-02B	H4X-02B	H4X-02B
		H4X-02R	H4X-02R	H4X-02R	H4X-02R	H4X-02R
	Pistol handle/NEMA 1, 3R, 4, 4X, 12	H4X-03B	H4X-03B	H4X-03B	H4X-03B	H4X-03B
H4X-03R		H4X-03R	H4X-03R	H4X-03R	H4X-03R	
Metallic hasp (HD) pistol handle/NEMA 1, 3R, 4, 4X, 12	H4X-03BHD	H4X-03BHD	H4X-03BHD	H4X-03BHD	H4X-03BHD	
	H4X-03RHD	H4X-03RHD	H4X-03RHD	H4X-03RHD	H4X-03RHD	
Selector handle shafts - 5x5mm	5.9"/150mm	SH4-150	SH4-150	SH4-150	SH4-150	SH4-150
	7.9"/200mm	SH4-200	SH4-200	SH4-200	SH4-200	SH4-200
	12.6"/320mm	SH4-320	SH4-320	SH4-320	SH4-320	SH4-320
Pistol handle shafts - 5x5mm	7.9"/200mm	SH3-200	SH3-200	SH3-200	SH3-200	SH3-200
	12.6"/320mm	SH3-320	SH3-320	SH3-320	SH3-320	SH3-320
	15.75"/400mm	SH3-400	SH3-400	SH3-400	SH3-400	SH3-400
Selector handle shaft guide		SH-GUIDE1	SH-GUIDE1	SH-GUIDE1	SH-GUIDE1	SH-GUIDE1
Pistol handle shaft guide		SH-GUIDE2	SH-GUIDE2	SH-GUIDE2	SH-GUIDE2	SH-GUIDE2
Door mount kit		DOOR-508	DOOR-508	DOOR-508	DOOR-508	DOOR-508
Shrouds/switch amps	1-Pole	TSH1-1TB	TSH1-1TB	TSH1-1TB	—	—
	3-Pole (loadside and lineside)	TSH1-3TB	TSH1-3TB	TSH1-3TB	TSH2-3TB	TSH2-3TB
	Switched 4th pole/switch amps	POLE-16	POLE-25	POLE-40	—	—
	Ground module (conforms to IEC 60947-3)	GND-16-40	GND-16-40	GND-16-40	GND-63-80	GND-63-80
	Neutral module (conforms to IEC 60947-3)	NTRL-16-40	NTRL-16-40	NTRL-16-40	NTRL-63-80	NTRL-63-80
	Auxiliary contacts	NO + NC (1 ea.)	BAC01	BAC01	BAC01	BAC01
(2) NO		BAC02	BAC02	BAC02	BAC02	BAC02
AC ratings						
Volts		240 Vac	240 Vac	240 Vac	240 Vac	240 Vac
Amps	10	10	10	10	10	
6-/8-pole conversion kit gangs two switches of same rating, 16-80 A switch amps		KIT-6POLE	KIT-6POLE	KIT-6POLE	KIT-6POLE	KIT-6POLE

— Not available.

Disconnect switches

UL 508 non-fused rotary disconnect switches — 16, 25, 40, 63 and 80 A

For a complete assembly, select:

Switch	Switch		Max. Class J fuse amps				Max horsepower rating, 3-Phase				Conductor AWG size/ type	Catalog no.
	Amps	Poles	SCCR @600V (kA)	208	220/240	440/480	600	208	220/240	440/480		
	16	3	65	30	3	5	10	10	14-10 Sol, Dual 12 Str, 75°C Cu	RD16-3-508		
	25			60	7.5	7.5	15	20			RD25-3-508	
	40		65	30	7.5	7.5	20	25	RD40-3-508			
	63		50	100	15	20	40	40	14-10 Sol, Dual 12 Str, 75°C Cu	RD63-3-508		
			65	60	15	20	40	40				
	80		50	100					60	15	20	40
		65	60									

PLUS					
Direct mount handle - mounts directly to switch, no shaft required					
For switch cat. no.	Color	Test function	Padlockable	Catalog no.	
All switches	Black	N	Y - On Switch	DIR-01	

OR					
External front or right side operated selector handles - shaft required					
NEMA type	Color	Handle length	Test function	Padlockable	Catalog no.
1, 3R, 4, 4X, 12	Black	Short	N	Y	H4X-01B (1)
	Red/yellow				H4X-01R (1)
	Black	Long			H4X-02B (2)
	Red/yellow				H4X-02R (2)

External front operated pistol handles - shaft required					
NEMA type	Color	Handle length	Test function	Padlockable	Defeatable
1, 3R, 4, 4X, 12	Black	—	N	Y	Y
	Red/yellow	—			

Metallic hasp (heavy duty) external front operated pistol handles - shaft required					
NEMA type	Color	Handle length	Test function	Padlockable	Defeatable
1, 3R, 4, 4X, 12	Black	—	N	Y	Y
	Red/yellow	—			






Shafts for selector handles		
Length — in (mm)	Mounting depth (X) - in (mm)	Catalog no.
5.9 (150)	3.50~7.60 (89~193)	SH4-150 (1)
7.9 (200)	3.50~9.50 (89~241)	SH4-200 (1)
12.6 (320)	3.50~14.9 (89~378)	SH4-320 (1)

Shafts for pistol handles		
Length — in (mm)	Mounting depth (X) - in (mm)	Catalog no.
7.9 (200)	3.30~7.40 (84~188)	SH3-200 (2)
12.6 (320)	3.30~9.30 (84~236)	SH3-320 (2)
15.7 (400)	3.30~14.7 (84~373)	SH3-400 (2)

Shaft guides for selector and pistol handles		
Handle type	Required for	Catalog no.
Selector	Required for 12.6" (320mm) long shafts, optional for other lengths	SH-GUIDE1
Pistol	Required for 15.7" (400mm) long shafts, optional for other lengths	SH-GUIDE2

Door mount kit	
Switch	Catalog no.
All switches - kit includes shaft	DOOR-508

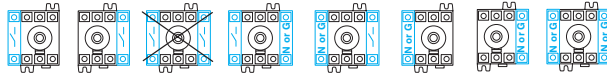
AND...

Aux. Contacts		Auxiliary contacts					
		Contact type	No. of contacts	Continuous amp rating	Voltage (Vac) rating	Max number of units per switch	Catalog no.
		NO + NC	1 Ea.			BAC01	
		NO	2	10	240	2 (1 per side/4 contacts total)	BAC02
AND...							
Shrouds		Terminal shrouds - includes terminal shroud for both lineside and loadside					
		Switch amps	Poles		Location on switch	Catalog no.	
		16-40	1 (for switched 4th pole)			TSH1-1TB	
16-40	3		Lineside and loadside	TSH1-3TB			
63-80				TSH2-3TB			
AND...							
Accessories 4 th pole		Switched 4th pole - converts 3-pole switch to 4-pole switch					
		Switch amps				Catalog no.	
		16				POLE-16	
		25				POLE-25	
40				POLE-40			
AND...							
Gnd./neut. mods		Ground and Neutral Modules - provides unswitched ground or neutral pole - conforms to IEC 60947-3					
		Switch amps	Module Type			Catalog no.	
		16-40	Ground			GND-16-40	
		63-80	Ground			GND-63-80	
16-40	Neutral			NTRL-16-40			
63-80	Neutral			NTRL-63-80			
AND...							
6 pole kit		6-pole conversion kit - creates a 6-pole switch by ganging two 3-pole switches of equal rating					
		Switch amps				Catalog no.	
		All switches				KIT-6POLE*	
* Kit ships with a direct handle. If external handle is needed order a selector handle and shaft for the UL 508 Rotary Disconnect Switches.							
Note: To create an 8-pole switch from 16 to 40 amp switches, use two 3-pole switches of equal ratings plus two switched 4th poles (part # POLE-_)							
Order switches separately							

Disconnect switches

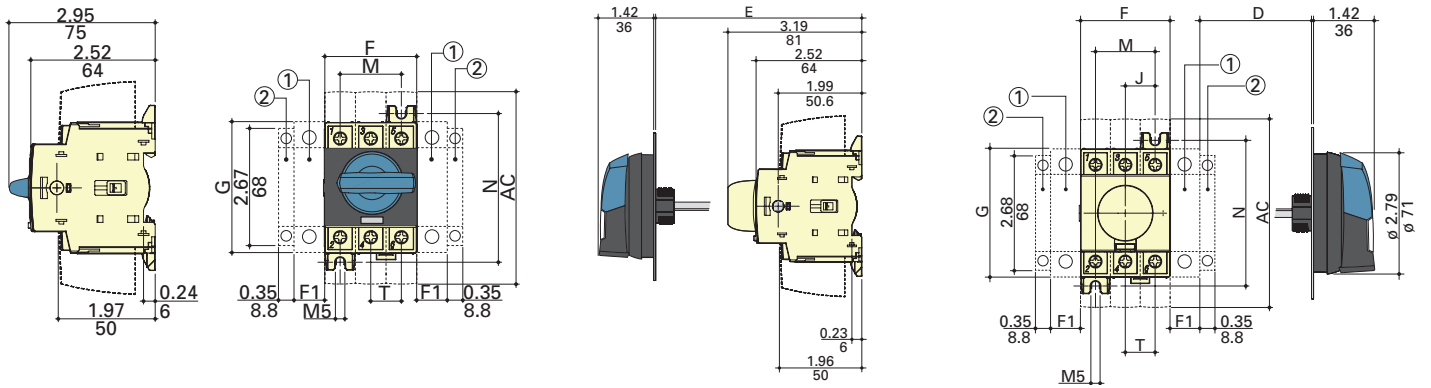


Auxiliary contact configurations



Ground and neutral module, and switched 4th pole configurations.

Dimensions — in (mm)



Direct handle operation

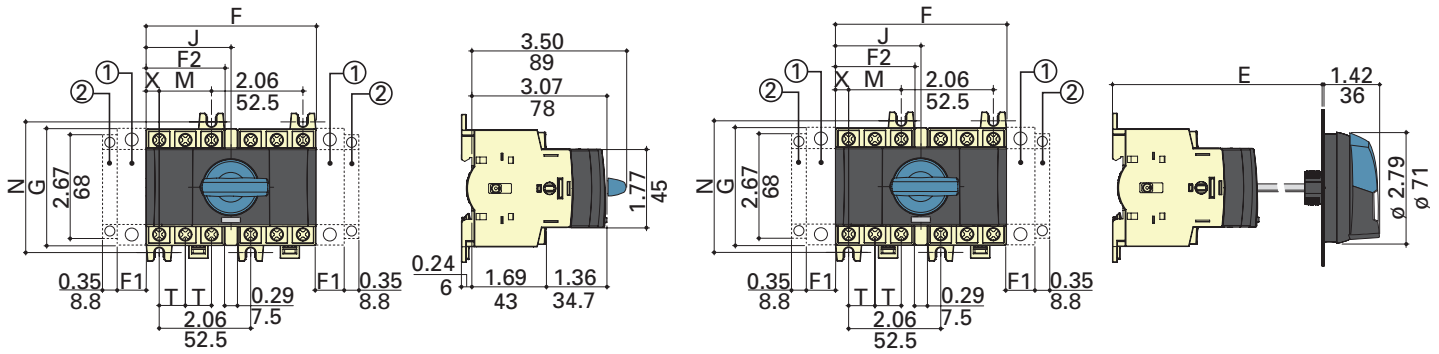
External front operation

External side operation

1. Position for 1 switched 4th pole (1 per device max.), or ground or neutral module (2 per device max.) or 1 auxiliary contact.
 2. Position for 1 auxiliary contact only.
- Note: Maximum of 4 Auxiliary contacts, or 3 Auxiliary contacts + one ground or neutral module, or one switched 4th pole.

Switch amps	Overall dimensions				Terminal shroud AC	Switch body				Switch mounting			
	D min	D max	E min	E max		F	F1	G	J	M	N	Connection T	
16 to 40	1.18 (30)	9.25 (235)	3.94 (100)	14.64 (372)	4.33 (110)	1.77 (45)	0.59 (15)	2.67 (68)	0.59 (15)	1.18 (30)	2.95 (75)	0.59 (15)	
63 to 80	1.18 (30)	9.25 (235)	3.93 (100)	14.64 (372)	4.33 (110)	2.06 (53)	0.69 (18)	2.99 (76)	0.69 (18)	1.38 (35)	3.35 (85)	0.69 (18)	

Dimensions — in (mm)



Direct front operation for 6/8-pole disconnects

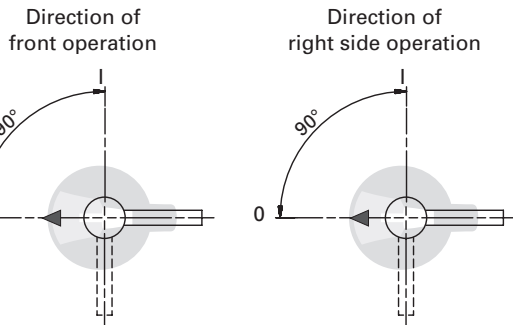
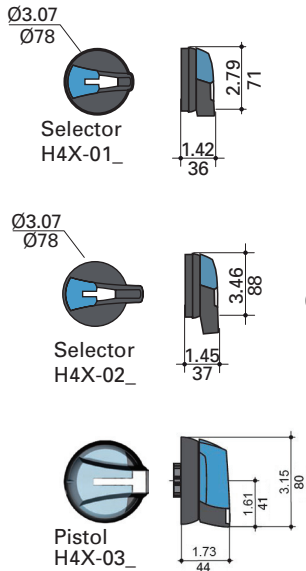
External front operation for 6/8-pole disconnects

- 1. Position for 1 switched 4th pole (1 per device max.) or 1 auxiliary contact.
 - 2. Position for 1 auxiliary contact only.
- Note: Maximum of 4 auxiliary contacts, or 3 auxiliary contacts + one switched 4th pole.

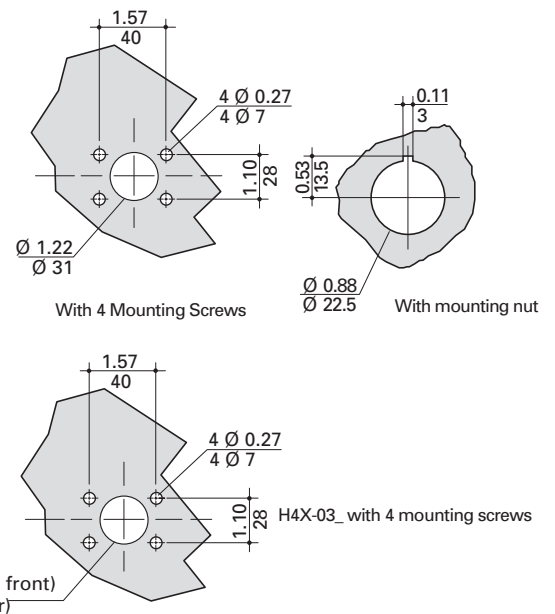
Switch amps	Overall dimensions			Switch body			Switch mounting		Connection		
	E min	E max	F	F1	F2	G	J	M	N	T	X
16 to 40	4.13 (105)	14.64 (372)	3.83 (98)	0.59 (15)	1.77 (45)	2.67 (68)	1.92 (48.75)	1.18 (30)	2.95 (75)	0.59 (15)	0.29 (8)
63 to 80	4.13 (105)	14.65 (372)	4.13 (105)	0.69 (18)	2.06 (53)	2.99 (76)	2.06 (52.5)	1.38 (35)	3.35 (85)	0.69 (18)	0.34 (9)

External selector and pistol handles

Handle type



Door drilling layouts



Ø 1.45in/37mm screw clip (from front)
 Ø 1.22in/31mm screw (from rear)

UL 98 and UL 508 enclosed disconnect switches

Fused and non-fused enclosed rotary disconnect switches from 16 to 1200 A in NEMA 1, 3R, 4, 4X, 12 enclosures.

Ratings

- Volts
 - 600 Vac
 - 250-600 Vdc*
- Amps 16-1200 A
- SCCR
 - UL 98 25-200 kA
 - UL 508 10-65 kA



*Some non-fused disconnect switches are not rated for DC applications.

Agency information

- UL 98 Listed, Guide WIAX, WIAX7, File E182262
- UL 508 Listed, Guide NLRV, NLRV, File E155129
- cULus Listed to CSA Standard 22.2, No. 14
- cULus Listed to CSA Standard 22.2, No. 4
- Conforms with IEC 60947-3
- RoHS compliant
- CE

Operating temperature

- -20°C to 70°C

4X plastic enclosure flammability ratings

- Polycarbonate UL 94-5V A-0
- Fiberglass UL 94-5V

Field installed accessories

- Auxiliary contacts
- Terminal shrouds
- Switched 4th pole (UL 508 only)

Online resources

Visit Eaton.com/bussmannseries for:

- CAD drawings
- Instruction sheets
- UL information

Features

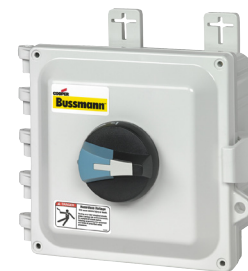
- UL 98 Listed for general purpose, main disconnect, or branch circuit protection up to 600 Vac/dc
- UL 508 Listed for motor disconnect applications up to 600 Vac
- Multiple field installed accessories enhance the enclosed disconnect switches to fit the desired application
- Lockout/tagout: Up to three 1/4" shank padlocks can be installed on external handles



NEMA 1, 3R, 4 and 12



NEMA 4X 304 stainless steel

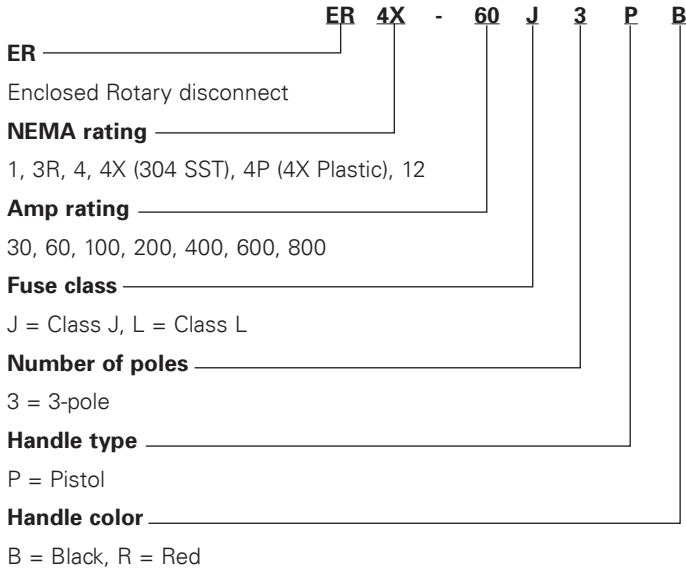


NEMA 4X polycarbonate or fiberglass

UL 98 enclosed fused disconnects — 30 to 800 A

3-pole UL 98 600 Vac

Catalog number system:



30-800A UL 98 fused switches



NEMA 1, 3R, 4 and 12

NEMA 4X
304 stainless steel

NEMA 4X

Available Bussmann series fuses

Fuse class	Catalog symbol/type
J	LPJ time-delay, current limiting
	JKS fast-acting fuses
	DFJ high speed drive fuse
L	KRP-C time-delay, current limiting
	KTU fast-acting
	KLU time-delay
	KRP-CL (225-600 A)

Catalog numbers

All catalog numbers provided with integral or installed lugs and a black selector handle. Order Red/yellow handle by changing the suffix "B" to "R."

Switch amps	Fuse class	NEMA enclosure type and catalog no.					
		1	3R	4	4X plastic ¹	4X 304 stainless	12
30	J	ER1-30J3PB	ER3R-30J3PB	ER4-30J3PB	ER4P-30J3PB	ER4X-30J3PB	ER12-30J3PB
60		ER1-60J3PB	ER3R-60J3PB	ER4-60J3PB	ER4P-60J3PB	ER4X-60J3PB	ER12-60J3PB
100		ER1-100J3PB	ER3R-100J3PB	ER4-100J3PB	ER4P-100J3PB	ER4X-100J3PB	ER12-100J3PB
200		ER1-200J3PB	ER3R-200J3PB	ER4-200J3PB	ER4P-200J3PB	ER4X-200J3PB	ER12-200J3PB
400		ER1-400J3PB	ER3R-400J3PB	ER4-400J3PB	ER4P-400J3PB	ER4X-400J3PB	ER12-400J3PB
600	L	ER1-600J3PB	ER3R-600J3PB	ER4-600J3PB	ER4P-600J3PB	ER4X-600J3PB	ER12-600J3PB
800		ER1-800L3PB	ER3R-800L3PB	ER4-800L3PB	ER4P-800L3PB	ER4X-800L3PB	ER12-800L3PB

¹ Enclosures ≤100 A are polycarbonate, flammability rating UL 94-5V A-V0, ≥200 A are fiberglass, flammability rating UL 94-5V.

Switch ratings

For wire types, ranges and tightening torques, see table on page 11-10.

Switch amps	Switch cat. no.	Fuse class	Poles	Voltage		SCCR @ Vac (kA)	Max. Hp @ 600 Vac
				Vac	Vdc		
30	RDF30J-3	J	3	600	N/A	200	20
60	RDF60J-3						50
100	RDF100J-3						75
200	RDF200J-3						150
400	RDF400J-3						350
600	RDF600J-3	L					500
800	RDF800L-3						

UL 98 enclosed fused disconnects — 30 to 800 A

Enclosure weights and dimensions

Catalog no. family	Amps	Fuse class	NEMA enclosure	H x W x D (in)	Mounting centers h x w (in)			Weight (lbs)
					A	B	C	
ER_-30J	30		1, 3R, 4, 12	10x10x6	8.3x8.3	—	—	15
			4X-SST		—	10.7x8.3	8.3x10.7	—
			4X-plastic ¹	12x10x6	—	12x5.6	7.6x10	8
			1, 3R, 4, 12		10.3x8.3	—	—	—
ER_-60J	60		1, 3R, 4, 12	12x10x6	—	12.7x8.3	8.3x10.7	19
			4X-SST		—	14x7.6	9.6x12	11
			4X-plastic ¹	13x13x6	—	14x7.6	9.6x12	12
			1, 3R, 4, 12		12.3x10.3	—	—	—
ER_-100J	100	J	1, 3R, 4, 12	14x12x6	—	14.7x10.3	12.3x12.7	21
			4X-SST		—	14x7.6	9.6x12	12
			4X-plastic ¹	13x13x6	—	14x7.6	9.6x12	12
			1, 3R, 4, 12		22.3x18.3	—	—	—
ER_-200J	200		1, 3R, 4, 12	24x20x8	—	24.7x18.3	22.3x20.7	55
			4X-SST		—	25.7x14	—	39
			4X-plastic ¹	27x21x10	—	25.7x14	—	39
			1, 3R, 4, 12		46.3x34.3	—	—	188
ER_-400J	400		1, 3R, 4, 12	48x36x12	—	48.7x34.3	46.3x36.7	188
			4X-SST		—	50x28.5	—	186
			4X-plastic ¹	51x37x14	—	50x28.5	—	214
			1, 3R, 4, 12		46.3x34.3	—	—	216
ER_-600J	600		1, 3R, 4, 12	48x36x12	—	48.7x34.3	46.3x36.7	216
			4X-SST		—	48.7x34.3	46.3x36.7	—
			4X-plastic ¹	51x37x14	—	50x28.5	—	214
			1, 3R, 4, 12		46.3x34.3	—	—	216
ER_-800L	800	L	1, 3R, 4, 12	48x36x12	—	48.7x34.3	46.3x36.7	216
			4X-SST		—	50x28.5	—	214
			4X-plastic ¹	51x37x14	—	50x28.5	—	214

¹ Enclosures ≤100 A are polycarbonate, flammability rating UL 94-5V A-V0, ≥200 A are fiberglass, flammability rating UL 94-5V.

Available field-installed accessories - order separately

Auxiliary contacts - for 30 to 800 amp switches



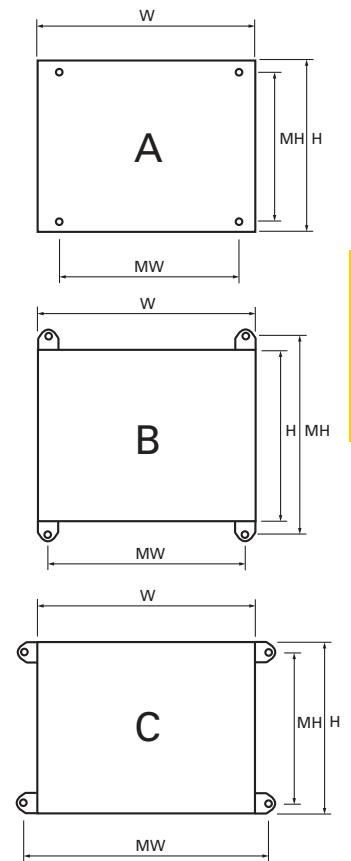
Contact type	No. of contacts	Cont. amp rating	Vac	Max. units per switch	Catalog no.
NO	1	10	600	4 (30 to 200 A)	BAC05
NC				8 (400 to 800 A)	BAC06

Terminal shrouds

For 200 to 800 amp switches - includes terminal shroud for lineside or loadside



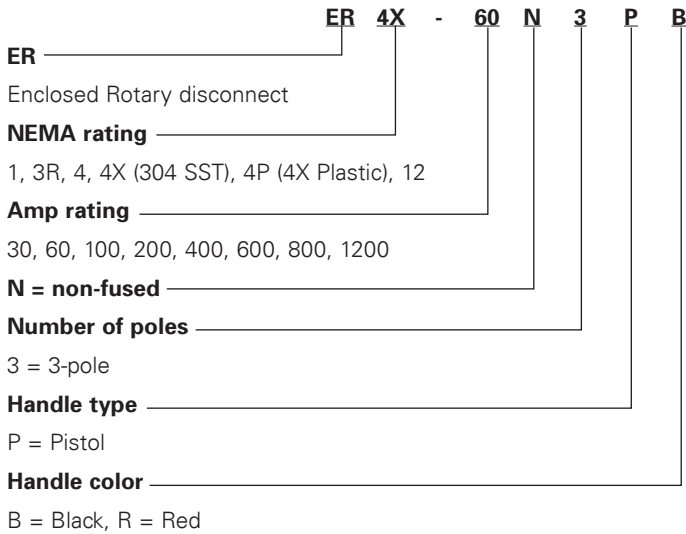
Switch amps	Poles	Catalog no.
200	3	TSH8-3TB
400		TSH9-3TB
600-800		TSH10-3TB



UL 98 enclosed non-fused disconnects — 30 to 1200 A

3-pole UL 98 600 Vac

Catalog number system:



30-800A UL 98 non-fused switches



NEMA 1, 3R, 4 and 12



NEMA 4X
304 stainless steel



NEMA 4X

200-1200A UL 98 non-fused switches



NEMA 1, 3R, 4 and 12



NEMA 4X
304 stainless steel



NEMA 4X

Catalog numbers

All Catalog numbers provided with integral or installed lugs and a black selector handle. Order Red/yellow handle by changing the suffix "B" to "R."

Amps	NEMA enclosure type and catalog no.					
	1	3R	4	4X plastic ¹	4X 304 stainless	12
30	ER1-30N3PB	ER3R-30N3PB	ER4-30N3PB	ER4P-30N3PB	ER4X-30N3PB	ER12-30N3PB
60	ER1-60N3PB	ER3R-60N3PB	ER4-60N3PB	ER4P-60N3PB	ER4X-60N3PB	ER12-60N3PB
100	ER1-100N3PB	ER3R-100N3PB	ER4-100N3PB	ER4P-100N3PB	ER4X-100N3PB	ER12-100N3PB
200	ER1-200N3PB	ER3R-200N3PB	ER4-200N3PB	ER4P-200N3PB	ER4X-200N3PB	ER12-200N3PB
400	ER1-400N3PB	ER3R-400N3PB	ER4-400N3PB	ER4P-400N3PB	ER4X-400N3PB	ER12-400N3PB
600	ER1-600N3PB	ER3R-600N3PB	ER4-600N3PB	ER4P-600N3PB	ER4X-600N3PB	ER12-600N3PB
800	ER1-800N3PB	ER3R-800N3PB	ER4-800N3PB	ER4P-800N3PB	ER4X-800N3PB	ER12-800N3PB
1200	ER1-1200N3PB	ER3R-1200N3PB	ER4-1200N3PB	N/ A	ER4X-1200N3PB	ER12-1200N3PB

¹ Enclosures ≤100 A are polycarbonate, flammability rating UL 94-5V A-V0, ≥200 A are fiberglass, flammability rating UL 94-5V.

Switch ratings

For wire types, ranges and tightening torques, see table on page 11-27.

Amps	Switch catalog no.	Poles	Vac	SCCR (kA)	Max. Hp @ 600 Vac
30	RD30-3	3	600	100	25
60	RD60-3				50
100	RD100-3				25/100*
200	RD200-3			200	
400	RD400-3			350	
600	RD600-3			500	
800	RD800-3	100	500		
1200	RD1200-3				

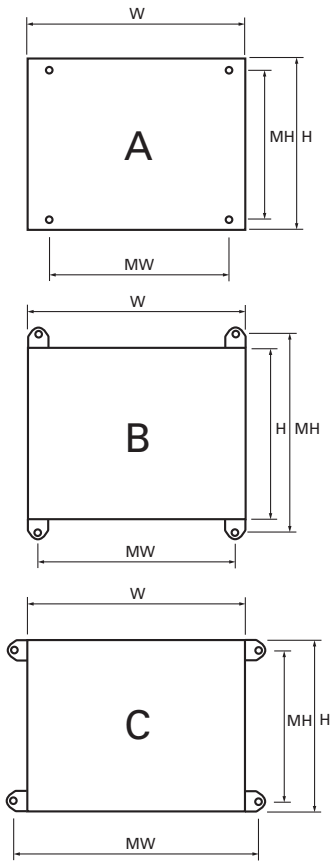
* 25 kA @ 600 Vac, 100 kA @ 480 Vac.

UL 98 enclosed non-fused disconnects — 30 to 1200 A

Enclosure weights and dimensions

Catalog no. family	Amps	NEMA enclosure	H x W x D (in)	Mounting centers h x w (in)			Weight (lbs)
				A	B	C	
ER_-30	30	1, 3R, 4, 12	10x8x6	8.3x6.3	—	—	11
		4X-SST		—	10.7x6.3	8.3x8.7	11
		4X-plastic (1)		9x9x6	—	10x3.6	5.6x8
ER_-60	60	1, 3R, 4, 12	10x8x6	8.3x6.3	—	—	12
		4X-SST		—	10.7x6.3	8.3x8.7	12
		4X-plastic (1)		9x9x6	—	10x3.6	5.6x8
ER_-100	100	1, 3R, 4, 12	12x10x6	10.3x8.3	—	—	12
		4X-SST		—	12.7x8.3	8.3x10.7	12
		4X-plastic (1)		13x13x6	—	14x7.6	9.6x12
ER_-200	200	1, 3R, 4, 12	20x16x8	18.3x14.3	—	—	39
		4X-SST		—	20.7x14.3	18.3x16.7	39
		4X-plastic (1)		20x17x12	—	21.5x10.1	—
ER_-400	400	1, 3R, 4, 12	36x30x8	34.3x28.3	—	—	122
		4X-SST		—	36.7x28.3	34.3x30.7	122
		4X-plastic (1)		37x32x14	—	38x28.9	—
ER_-600	600	1, 3R, 4, 12	48x36x12	46.3x34.3	—	—	209
		4X-SST		—	48.7x34.3	46.3x36.7	209
		4X-plastic (1)		51x37x 14	—	50x28.5	—
ER_-800	800	1, 3R, 4, 12	48x36x12	46.3x34.3	—	—	211
		4X-SST		—	48.7x34.3	46.3x36.7	211
		4X-plastic (1)		51x37x 14	—	50x28.5	—
ER_-1200	1200	1, 3R, 4, 12	60x36x16	58.3x34.3	—	—	268
		4X-SST	60x36x16	—	60.7x34.3	58.3x36.7	268

1 Enclosures ≤100 A are polycarbonate, flammability rating UL 94-5V A-V0, ≥200 A are fiberglass, flammability rating UL 94-5V.



Disconnect switches

Available field-installed accessories - order separately

Auxiliary contacts for 30 to 1200 amp switches.



Switch amps	Contact type	No. of contacts	Cont. amp rating	Vac	Max. units per switch	Catalog no.
30-100	NO + NC	1 of each	10	240	4	BAC01*
	NO	2				BAC02*
200-1200	NO + NC	1 of each	10.1	125-250	2	BAC03**
	NO + NC	1 of each				BAC04**
	NO + NC	1 of each	1	125		BAC11**
	NO + NC	1 of each		BAC12**		

* Two (2) Units per switch max.

**For one auxiliary contact, install either BAC03 or BAC11. For two auxiliary contacts, install BAC03 + BAC04, or BAC11 + BAC12.

Terminal shrouds for 200 to 800 amp switches

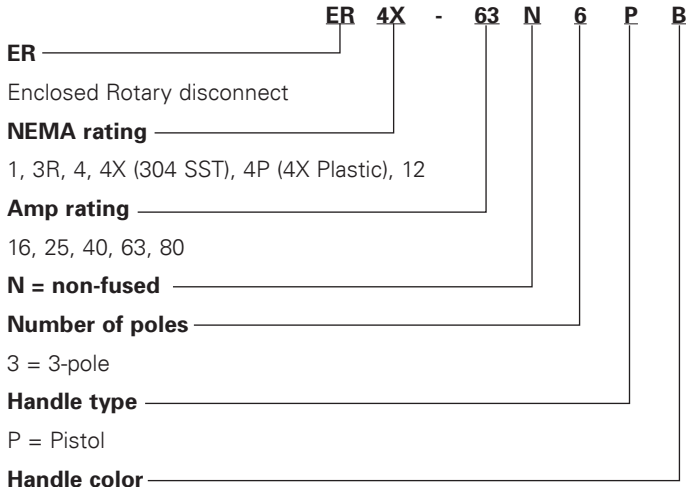


Switch amps	Poles	Location on switch	Catalog no.
30-100	3	Lineside and loadside	TSH3-3TB
200		Lineside	TSH4-3T
		Loadside	TSH4-3B
400	3	Lineside	TSH5-3T
		Loadside	TSH5-3B
600	3	Lineside or loadside	TSH6-3TB
800-1200		Lineside or loadside	TSH7-3TB

UL 508 enclosed non-fused disconnect — 16 to 80 A

3-/6-pole UL 508 600 Vac

Catalog number system:



B = Black, R = Red

* 6-Pole switches only, selector handle does not interlock the enclosure door.

**3-pole switches only.

Catalog numbers

All catalog numbers provided with a black selector handle. Order red/ yellow handle by changing the suffix "B" to "R."

16-80 A UL 508 non-fused switches



NEMA 1, 3R, 4 and 12



NEMA 4X
304 stainless steel



NEMA 4X

Amps	Poles	NEMA enclosure and catalog no.					
		1	3R	4	4X plastic ¹	4X 304 stainless	12
16	3	ER1-16N3PB	ER3R-16N3PB	ER4-16N3PB	ER4P-16N3PB	ER4X-16N3PB	ER12-16N3PB
	6	ER1-16N6SB	ER3R-16N6SB	ER4-16N6SB	ER4P-16N6SB	ER4X-16N6SB	ER12-16N6SB
25	3	ER1-25N3PB	ER3R-25N3PB	ER4-25N3PB	ER4P-25N3PB	ER4X-25N3PB	ER12-25N3PB
	6	ER1-25N6SB	ER3R-25N6SB	ER4-25N6SB	ER4P-25N6SB	ER4X-25N6SB	ER12-25N6SB
40	3	ER1-40N3PB	ER3R-40N3PB	ER4-40N3PB	ER4P-40N3PB	ER4X-40N3PB	ER12-40N3PB
	6	ER1-40N6SB	ER3R-40N6SB	ER4-40N6SB	ER4P-40N6SB	ER4X-40N6SB	ER12-40N6SB
63	3	ER1-63N3PB	ER3R-63N3PB	ER4-63N3PB	ER4P-63N3PB	ER4X-63N3PB	ER12-63N3PB
	6	ER1-63N6SB	ER3R-63N6SB	ER4-63N6SB	ER4P-63N6SB	ER4X-63N6SB	ER12-63N6SB
80	3	ER1-80N3PB	ER3R-80N3PB	ER4-80N3PB	ER4P-80N3PB	ER4X-80N3PB	ER12-80N3PB
	6	ER1-80N6SB	ER3R-80N6SB	ER4-80N6SB	ER4P-80N6SB	ER4X-80N6SB	ER12-80N6SB

¹ Polycarbonate enclosure flammability rating UL 94-5V A-V0.

Switch ratings

For wire types, ranges and tightening torques, see table on page 11-35.

Amps	Switch catalog no.	Vac	SCCR with max upstream Class J fuse	Max. Hp @ 600 V
16	RD16-3-508	600	65 kA / 30 A	10
25	RD25-3-508			20
40	RD40-3-508		65 kA / 30 A — 10 kA / 60 A	25
63	RD63-3-508		65 kA / 60 A — 50 kA / 100 A	40
80	RD80-3-508		50 kA / 100 A	40

Note: Voltage, SCCR and horsepower ratings are the same for 3- and 6-pole switches.

UL 508 enclosed non-fused disconnect — 16 to 80 A

Enclosure weights and dimensions

NEMA enclosure	Poles	Switch amps	H x W x D (in)	Mounting centers h x w (in)			Weight (lbs)
				A	B	C	
1, 3R, 4, 12	3	16-80	8x6x6	6.3x4.3	—	—	8
	6		10x8x6	8.3x6.3	—	—	11
4X-304 SST	3	16-80	8x6x6	—	8.7x4.3	6.3x6.7	8
	6		10x8x6	—	10.7x6.3	8.3x8.7	11
4X-plastic ¹	3	16-63	7.4x8.7x5.8	—	8x3.6	3.6x8	4
	6	80	9.4x8.7x5.9	—	10x3.6	5.6x8	5
	6	16-8 A	11.4x10.7x6.3	—	12x5.6	7.6x10	6

¹ Polycarbonate.

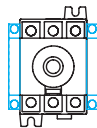
Available field-installed accessories - order separately

Auxiliary contacts



Contact type	No. of contacts	Cont. amp rating	Vac	Max. units per switch	Catalog no.
NO + NC	1 Ea.	10	240	2 (1 per side, 4 contacts total)	BAC01
NO	2				BAC02

Auxiliary contact configurations



Terminal shrouds

Includes terminal shroud for both lineside and loadside.



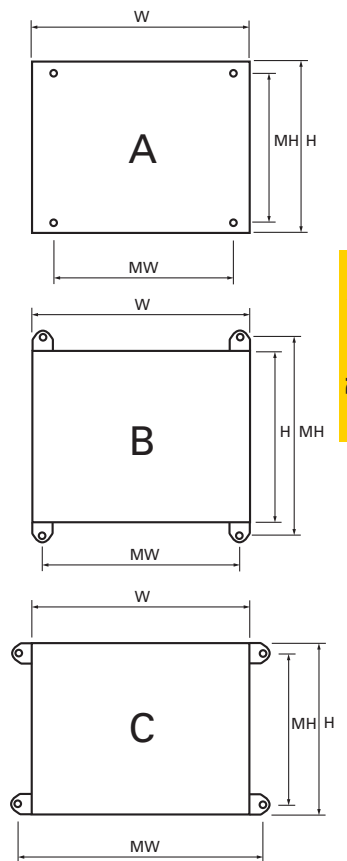
Switch amps	Poles	Location on switch	Catalog no.
16-40	3	Lineside and loadside	TSH1-3TB
63-80			TSH2-3TB

Switched 4th pole

Converts 3-pole switch to 4-pole switch.



Switch amps	Catalog no.
16	POLE-16
25	POLE-25
40	POLE-40



Disconnect switches



Selective coordination has never been easier.

With the Bussmann™ series **Quik-Spec™ Coordination Panelboard (QSCP)**, it's simple and cost-effective to selectively coordinate using published circuit breaker/fuse and fuse/fuse ratio tables.

What's more, the compact panelboard features a footprint equal to circuit breaker panels but 40% smaller than traditional fusible panels. Its safety-focused design includes finger-safe branches, branch fuse interlock and fuse ampacity rejection.

And with up to 200 kA short-circuit current rating (SCCR), the QSCP easily withstands high fault currents.

Learn more at Eaton.com/bussmannseries.



EATON

Powering Business Worldwide

Follow us on social media to get the latest product and support information.

