

**PART NUMBER:** EPA160025-P5-SZ**DESCRIPTION:** linear adapter**SPECIFICATIONS**

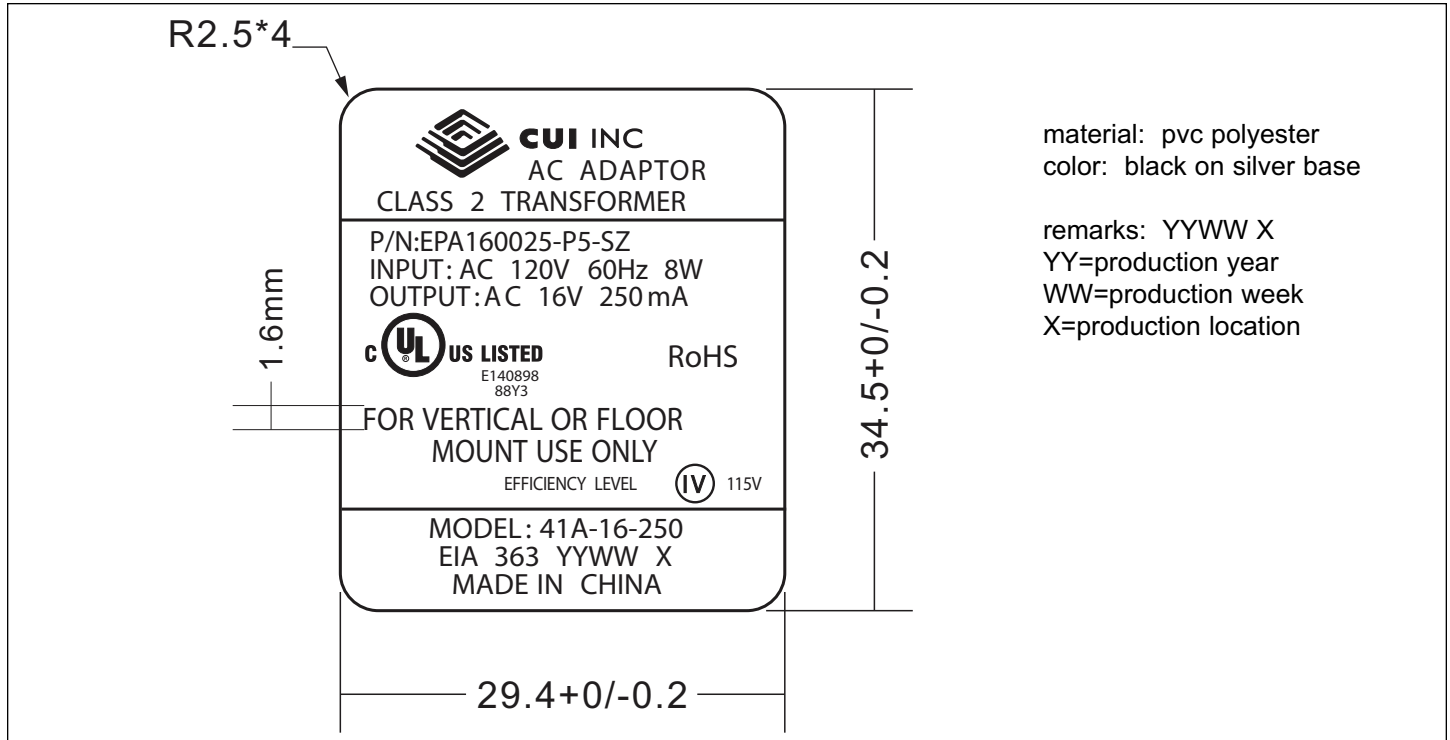
|   |                                      |                                |
|---|--------------------------------------|--------------------------------|
| output voltage                                  | 16 V ac at 250 mA                    |                                |
| rated input voltage                             | 120 V ac                             |                                |
| primary rated voltage                           | 120 V ac 60 Hz 8 W                   |                                |
| primary exciting current                        | 40 mA rms max.                       |                                |
| secondary rated voltage & current               | no load voltage (max.)               | 19.1 V                         |
|   | full load voltage (250 mA)           | 16 V $\pm$ 5%                  |
| temperature rise of primary winding (full load) | 70°C max. using resistance method    |                                |
| insulation resistance                           | $\geq$ 100 M Ohm at 500 Vdc          |                                |
| HI-POT test                                     | primary to secondary                 | 1240 V ac at 2 mA for 1 minute |
|   | primary to secondary                 | 1600 V ac at 2 mA for 1 second |
|   | primary winding to secondary winding | 1600 V ac at 2 mA for 1 second |
|   | primary winding to core              | 1600 V ac at 2 mA for 1 second |
|   | secondary winding to core            | 750 V ac at 2 mA for 1 second  |
| safety standard                                 | UL/cUL                               |                                |
| weight  | 218 g                                |                                |
| RoHS compliant                                  | yes                                  |                                |
| test conditions                                 | ambient temp                         | 40 $\pm$ 2°C                   |
|   | humidity                             | 90~95% 96 hours at Full Load   |
| adapter color                                   | case                                 | black                          |
|   | cord                                 | black                          |
|   | plug top                             | black (insulation chip)        |



**PART NUMBER:** EPA160025-P5-SZ

**DESCRIPTION:** linear adapter

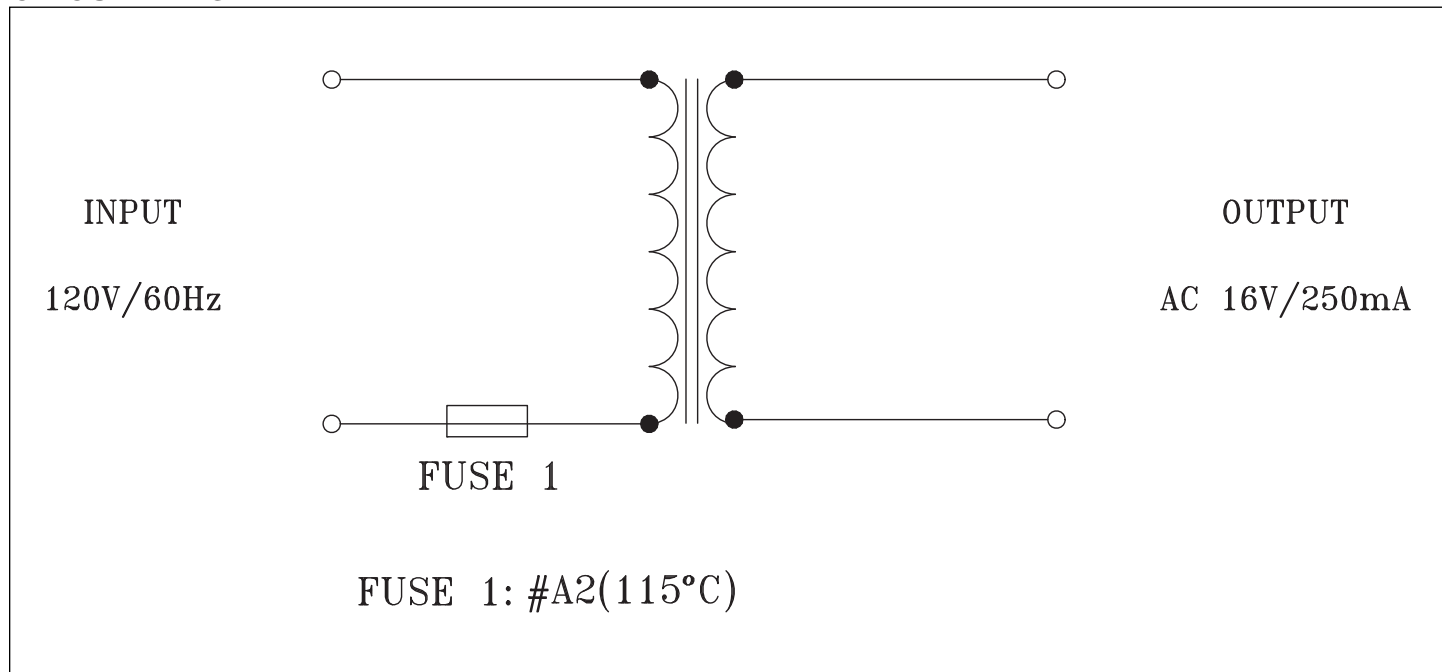
**LABEL**



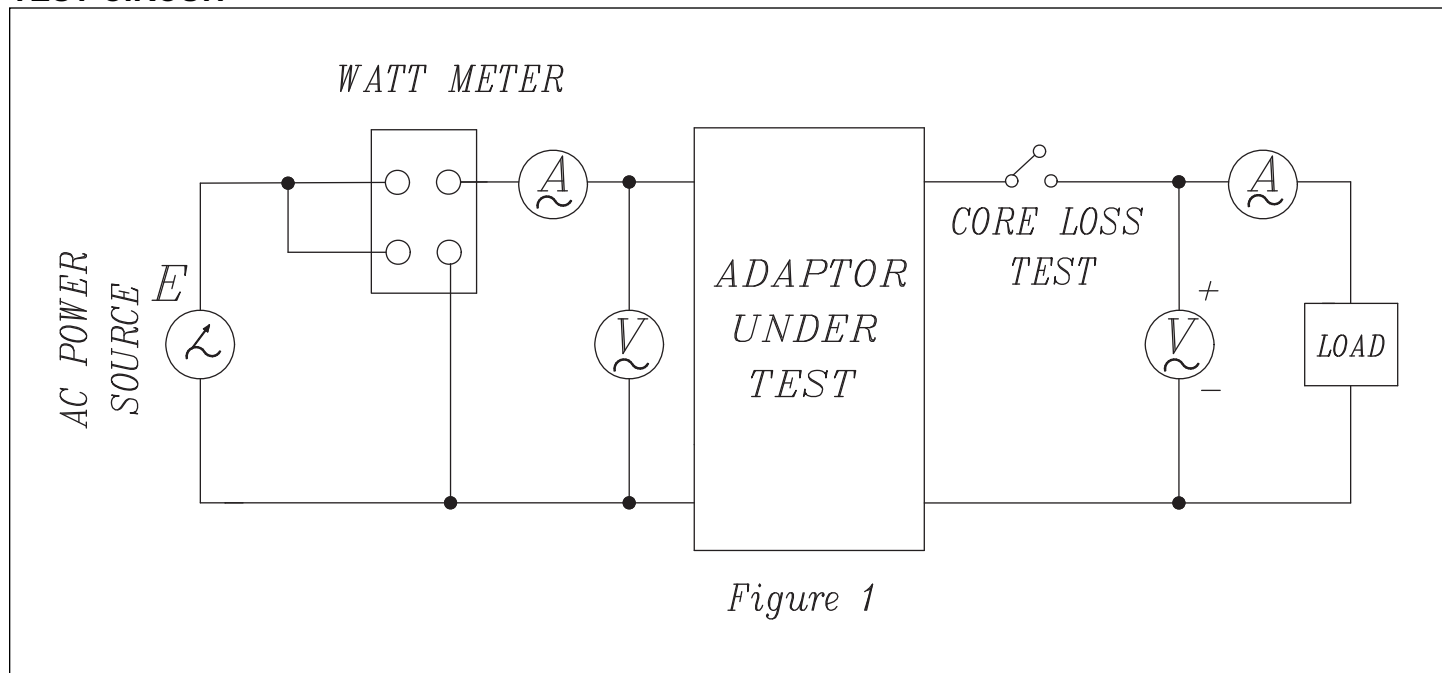
**PART NUMBER:** EPA160025-P5-SZ

**DESCRIPTION:** linear adapter

**CIRCUIT DIAGRAM**



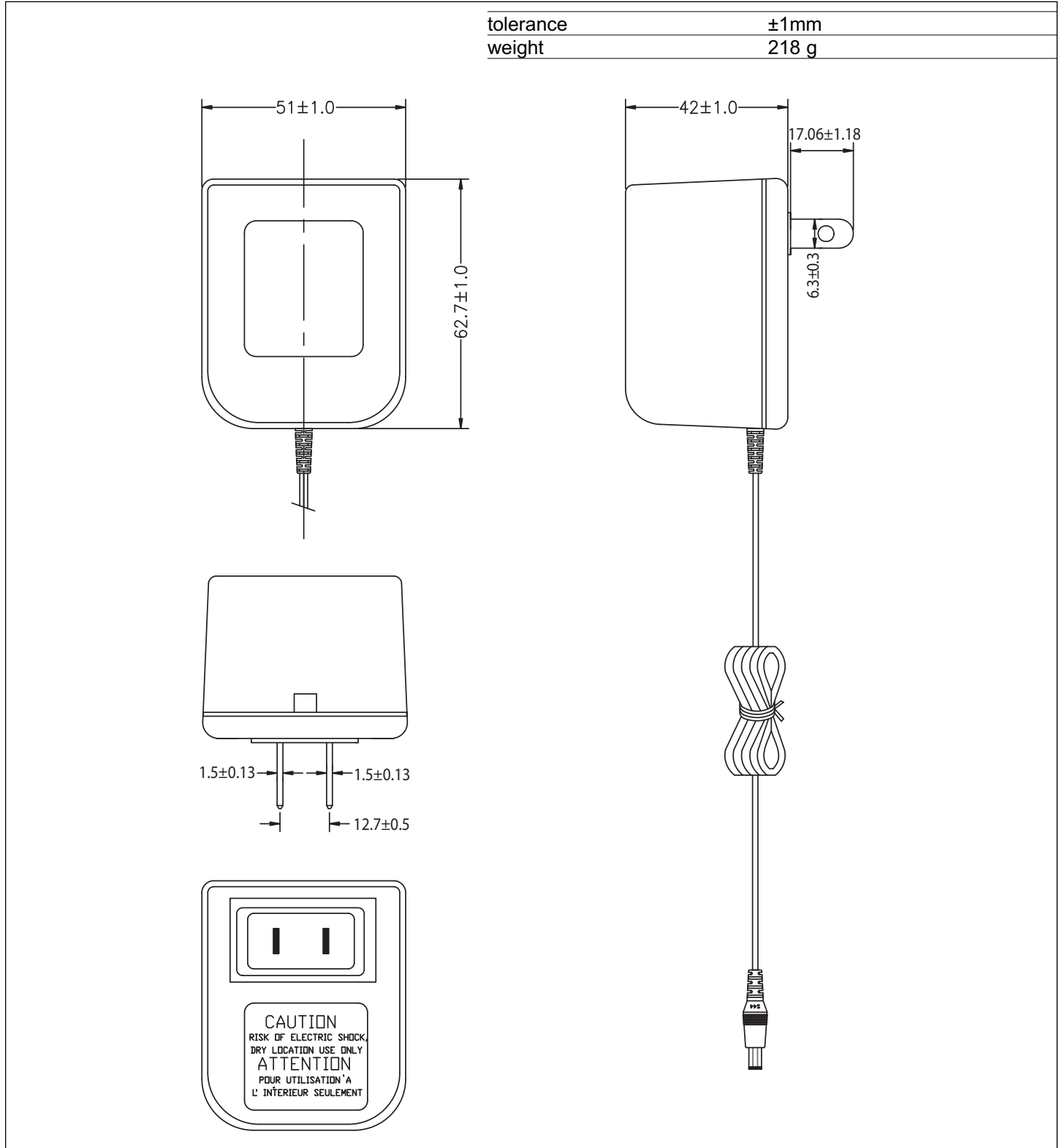
**TEST CIRCUIT**



**PART NUMBER:** EPA160025-P5-SZ

**DESCRIPTION:** linear adapter

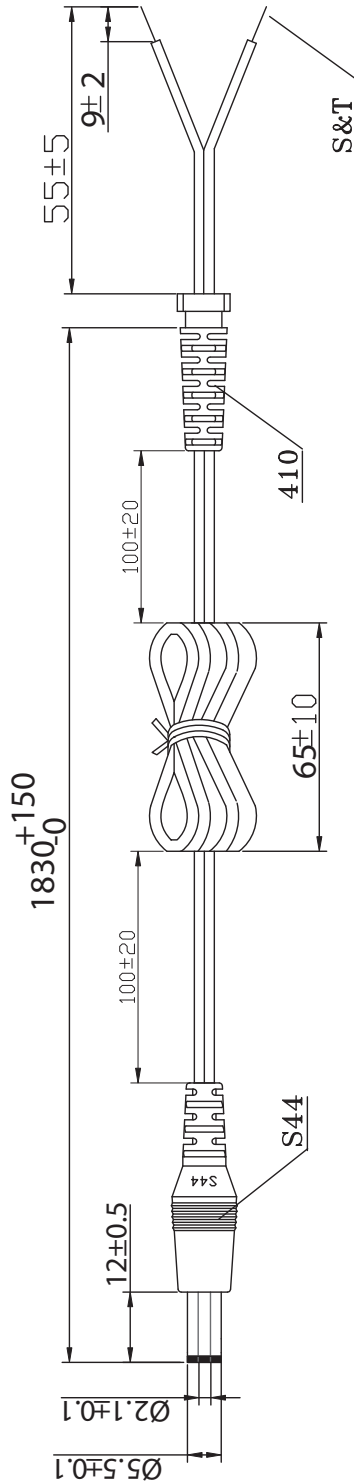
**MECHANICAL DRAWING**



**PART NUMBER:** EPA160025-P5-SZ

**DESCRIPTION:** linear adapter

**DC CORD**



#24AWG X2C UL2468 HAVE ON WORD WIRE IN OUTER, NO WORD WIRE IN INNER

WIRE OD: Ø 1.5X3.0

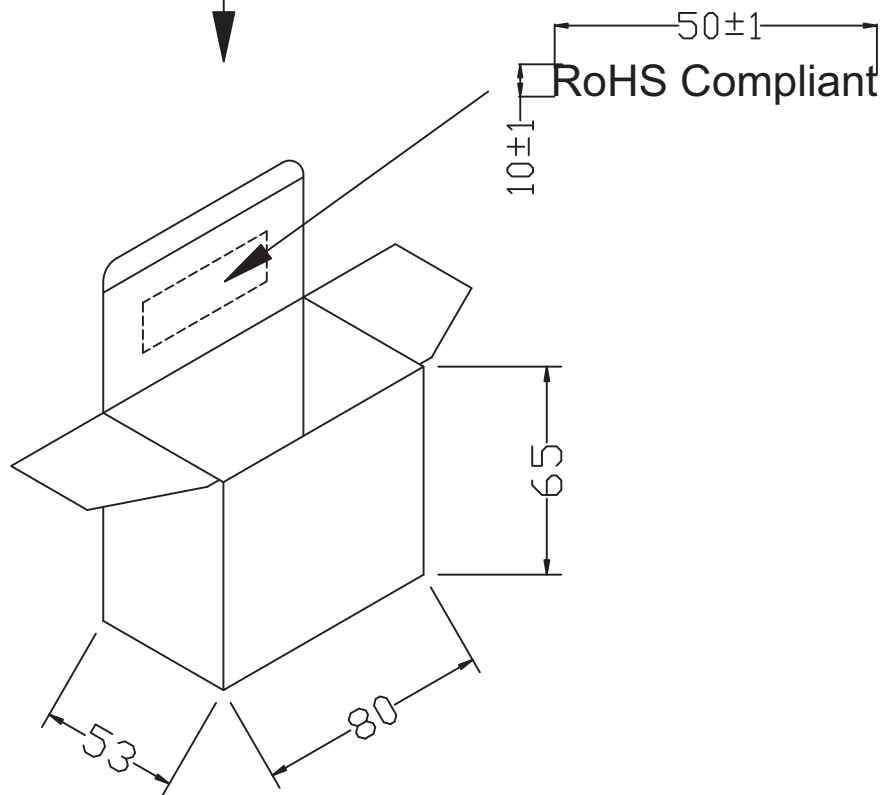
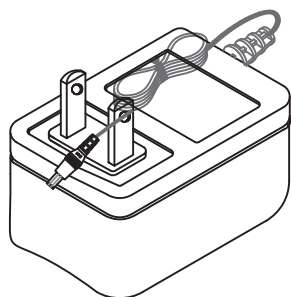
|                |   |
|----------------|---|
| VIBRATION TEST | Parameter request   |
|                | a. ±60°<br>b. WEIGHT 200g<br>c. 40 ROUND/MINUTE<br>d. OVER 1000 COUNT MIN |

**PART NUMBER:** EPA160025-P5-SZ

**DESCRIPTION:** linear adapter

**INDIVIDUAL PACKAGING**

tolerance:  $\pm 1$



**PART NUMBER:** EPA160025-P5-SZ

**DESCRIPTION:** linear adapter

**PACKAGING**

tolerance: +7/-0

OUTSIDE CARTON:A=B(6mm)  
INSIDE CARTON:B3B(3mm)  
CARTON SIZE: 350X345X190mm  
Q'TY: 60pcs(20x3x1)

