

## SUMMARY



*Image is for illustrative purpose only*

### # Wires

Low	0
High	0
Coax	1
Triax	0
Quad	0
Fiber	0
Fluidic	0

### Download

[Request a quote](#)

[Catalog](#)

Series	01
Termination type	Female print PCB
IP rating	50
Cable Ø	0.00 - 0.00 mm
Matching parts	FFS.01.250.DLAE31
Status	active
Alternative part	

## TECHNICAL DETAILS

### Mechanics

Shell Style/Model	EPA.01*: Straight receptacle for printed circuit
Keying	Circular (can rotate)
Housing Material	Brass (gold plated) shell, collet nut, brass latch sleeve and mid pieces
Cable Fixing	∅ 0 - 0 mm
Variant	
Weight	1.50 g

### Performance

Configuration	0.25 : 1 Coax (50 Ohm)
Insulator	
Rated Current	

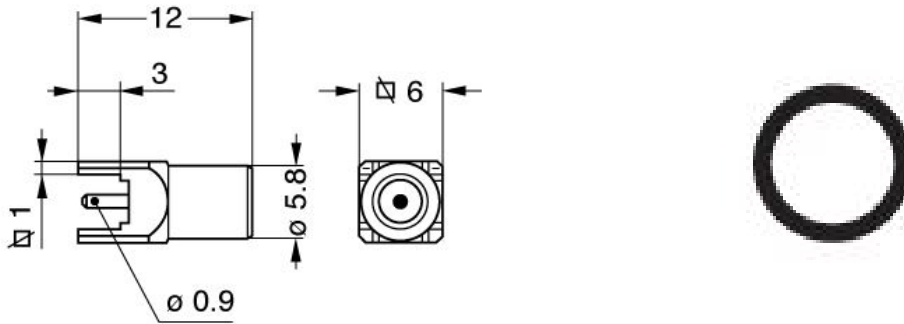
### Others

LEMO products and services are provided "as is". LEMO makes no warranties or representations with regard to LEMO product & services or use of them, express, implied or statutory, including for accuracy, completeness, or security. The user is fully responsible for his products and applications using LEMO components.

---

## DRAWINGS

### Draws



### Dimensions

	A	B	K	L
mm.	5.8	6	3	12
in.	0,23	0,24	0,12	0,47

---

## RECOMMENDED BY LEMO

### Tools

None

### Cables

LEMO products and services are provided "as is". LEMO makes no warranties or representations with regard to LEMO product & services or use of them, express, implied or statutory, including for accuracy, completeness, or security. The user is fully responsible for his products and applications using LEMO components.