

## SUMMARY



Image is for illustrative purpose only

### # Wires

Low	5
High	0
Coax	0
Triax	0
Quad	0
Fiber	0
Fluidic	0

Series	0M
Termination type	Female print PCB
IP rating	68
Cable Ø	0.00 - 0.00 mm
Matching parts	FMN.0M.305.XLC
Status	active
Alternative part	

### Download

- [Request a quote](#)
- [PCB Eagle Pattern](#)
- [PCB Altium Pattern](#)
- [Catalog](#)

## TECHNICAL DETAILS

### Mechanics

Shell Style/Model	EG*: Fixed receptacle, nut fixing, for printed circuit
Keying	3 keys (beta=165, gamma=30, plug: male contacts, receptacle: female contacts)
Housing Material	Environment friendly aluminium (nickel plated, anthracite color) shell and nut, other pieces bronze/brass
Cable Fixing	∅ 0 - 0 mm
Variant	
Weight	5.54 g

### Performance

Configuration	0M.305 : 5 Low Voltage
Insulator	
Rated Current	6.5 Amps

### Specifications

Contact Type: Print (straight)  
Max. Matings: 3000

LEMO products and services are provided "as is". LEMO makes no warranties or representations with regard to LEMO product & services or use of them, express, implied or statutory, including for accuracy, completeness, or security. The user is fully responsible for his products and applications using LEMO components.

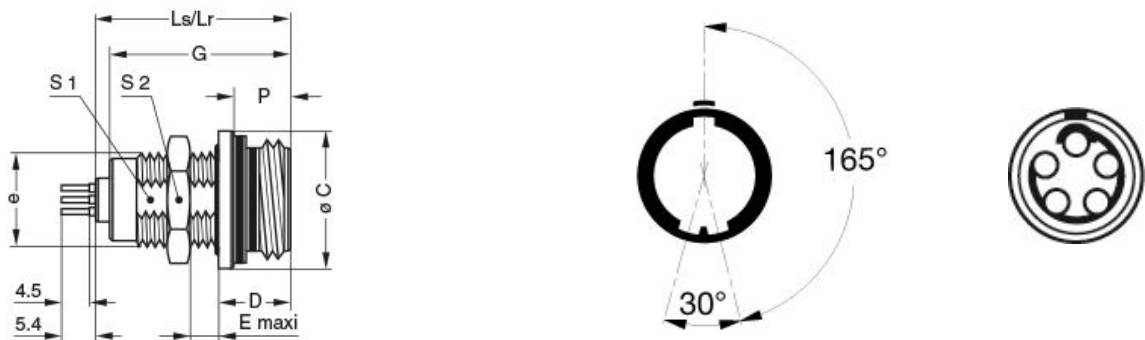
Contact Dia.: 0.7 mm (0.028in)  
 R (max): 6.1 mOhm  
 Test voltage (kV rms) Contact-contact: 1.25  
 Test voltage (kV rms) Contact-shell: 1

## Others

Humidity (max): <=95% [at 60 deg C /140 F]  
 Vibration: 15 g [10 Hz - 2000 Hz]  
 Shock Resistance: 100 g [ 6 ms]  
 Operating temperature: -55° C/ +200° C  
 Climatical Category: 15/200/21 (Al. shell)  
 Lighting strike EIA 364-75 10K amps - 6 times  
 EMI Shielding EIA 364-66A - 1Ghz-80 dB,3GHz-70 dB,6GHz- 58dB  
 IP Rating: 68

# DRAWINGS

## Draws



## Dimensions

	C	D	E	G	Lr	Ls	P	S1	S2	e
mm.	12.7	6.8	5	16.8	18.3	18.3	5.3	8.2	11	M9x0.6
in.	0,50	0,27	0,20	0,66	0,72	0,72	0,21	0,32	0,43	

# RECOMMENDED BY LEMO

## Tools

LEMO products and services are provided "as is". LEMO makes no warranties or representations with regard to LEMO product & services or use of them, express, implied or statutory, including for accuracy, completeness, or security. The user is fully responsible for his products and applications using LEMO components.

None

## Cables

*LEMO products and services are provided "as is". LEMO makes no warranties or representations with regard to LEMO product & services or use of them, express, implied or statutory, including for accuracy, completeness, or security. The user is fully responsible for his products and applications using LEMO components.*