

## SUMMARY



Image is for illustrative purpose only

### # Wires

|         |   |
|---------|---|
| Low     | 0 |
| High    | 0 |
| Coax    | 1 |
| Triax   | 0 |
| Quad    | 0 |
| Fiber   | 0 |
| Fluidic | 0 |

### Download

[Request a quote](#)

[Catalog](#)

|                  |                |
|------------------|----------------|
| Series           | 01             |
| Termination type | Female solder  |
| IP rating        | 50             |
| Cable Ø          | 0.00 - 0.00 mm |
| Matching parts   |                |
| Status           | active         |
| Alternative part |                |

## TECHNICAL DETAILS

### Mechanics

|                   |  |
|-------------------|--|
| Shell Style/Model | ECP.01*: Fixed receptacle, nut fixing (back panel mounting)          |
| Keying            | Circular (can rotate)  |
| Housing Material  | Brass (nickel plated) shell, collet nut, latch sleeve and mid pieces |
| Cable Fixing      | ∅ 0 - 0 mm   |
| Variant           |  |
| Weight            | 1.04 g   |

### Performance

|               |                        |
|---------------|------------------------|
| Configuration | 0.25 : 1 Coax (50 Ohm) |
| Insulator     |                        |
| Rated Current |                        |

### Specifications

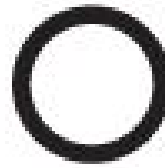
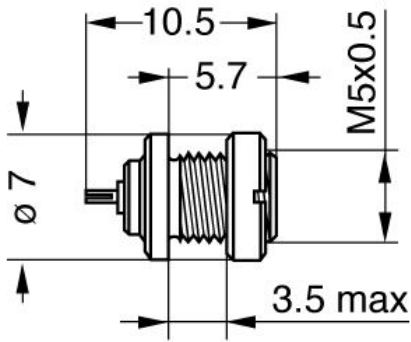
Contact Type: Solder

### Others

LEMO products and services are provided "as is". LEMO makes no warranties or representations with regard to LEMO product & services or use of them, express, implied or statutory, including for accuracy, completeness, or security. The user is fully responsible for his products and applications using LEMO components.

## DRAWINGS

### Draws



### Dimensions

|     | A    | E <sub>max</sub> | L    | M    | e      |
|-----|------|------------------|------|------|--------|
| mm. | 7    | 3.5              | 10.5 | 5.7  | M5x0.5 |
| in. | 0,28 | 0,14             | 0,41 | 0,22 |        |

## RECOMMENDED BY LEMO

### Tools

None

### Cables

|                    |  |  |  |
|--------------------|--|--|--|
| CCN.50.051.1529NMC |  |  |  |
|--------------------|--|--|--|

LEMO products and services are provided "as is". LEMO makes no warranties or representations with regard to LEMO product & services or use of them, express, implied or statutory, including for accuracy, completeness, or security. The user is fully responsible for his products and applications using LEMO components.