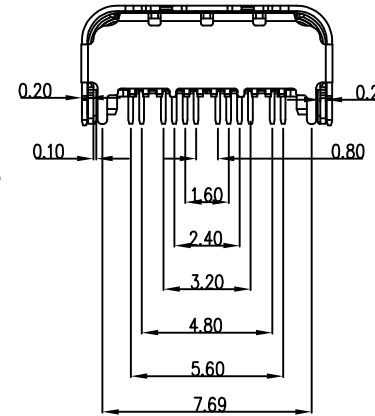
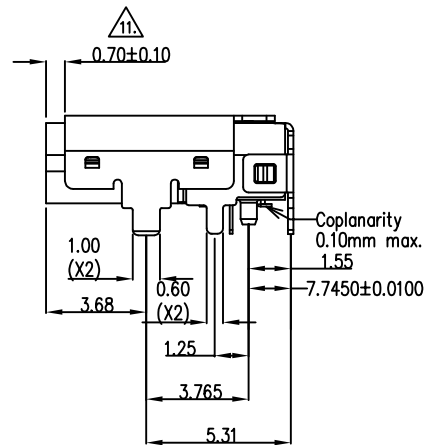
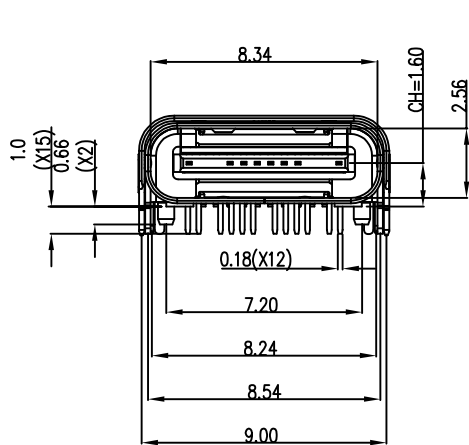
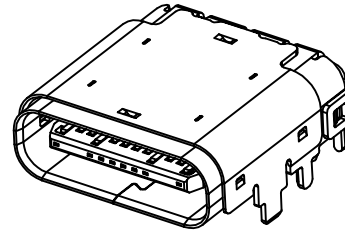
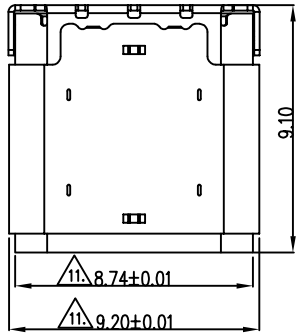


REVISION RECORD		
REV	DESCRIPTION	DRFT
10	A RELEASE	LYNN 09/21/15
11	CORRECT DIMENSION	RICKY 05/24/17



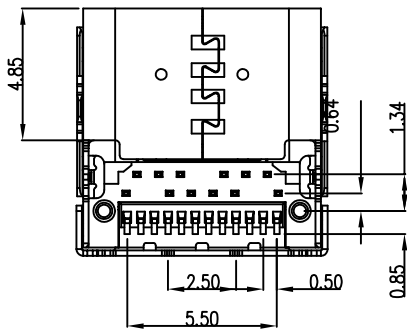
NOTES:

ELECTRICAL CHARACTERISTICS:

1. LOW LEVEL CONTACT RESISTANCE:
INITIAL: 40m Ω FOR ALL CONTACT MAX.
AFTER : 10m Ω MAX. CHANGE.
2. DIELECTRIC WITHSTANDING VOLTAGE:
100 VAC FOR 1 MINUTE SEA LEVEL.
3. INSULATION RESISTANCE:
100M Ω MIN.
4. CURRENT RATING:
VBUS AND GND CONTACTS RATED AT 1.25A EA.
PARALLELED FOR A TOTAL OF 5A

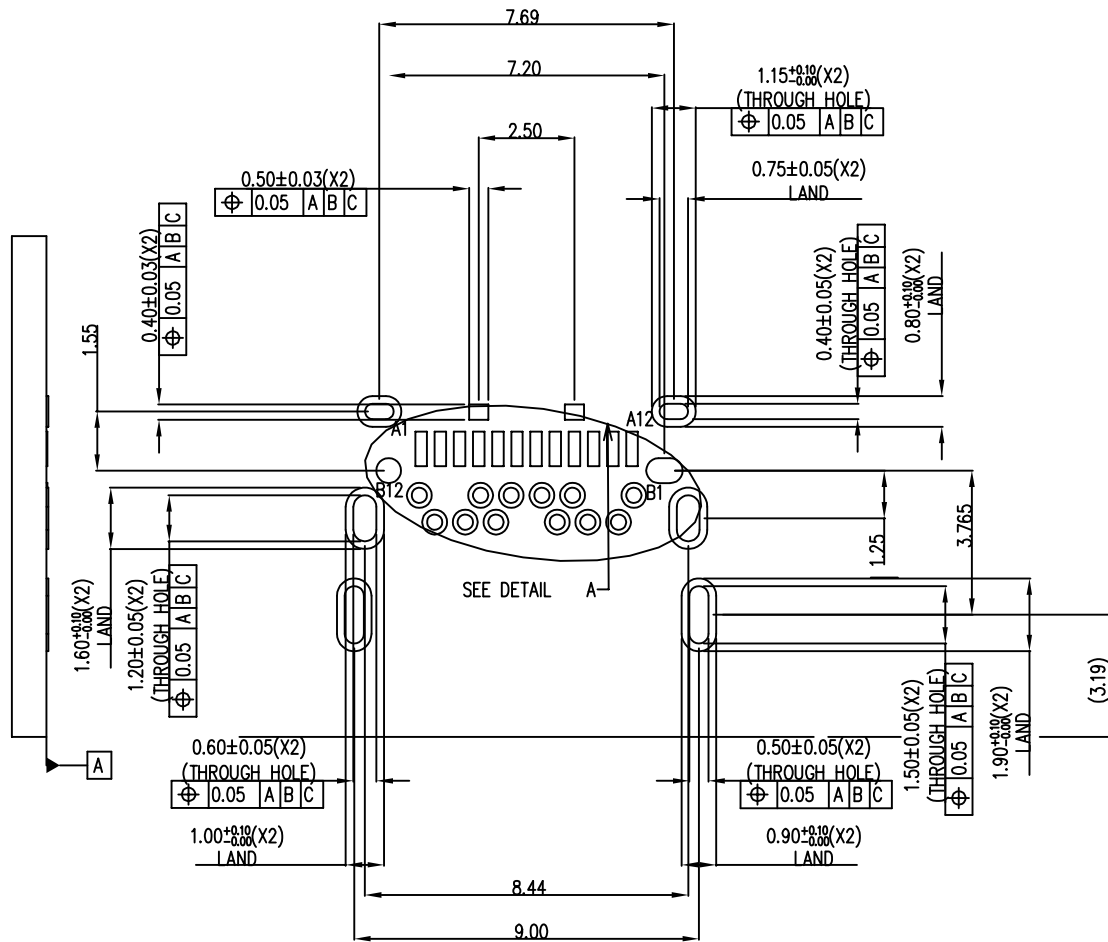
MECHANICAL CHARACTERISTICS:

1. INSERTION FORCE: 20N MAX
2. EXTRACTION FORCE 1-1000 CYCLES 8N MIN. 20N MAX.
EXTRACTION FORCE 1001-10000 CYCLES 6N MIN. 20N MAX.
3. DURABILITY : 10,000 CYCLES
4. PLATING OF CONTACT:
GOLD FLASH ON CONTACT AREA.
5. OPERATING TEMPERATURE: -55°C TO +85°C

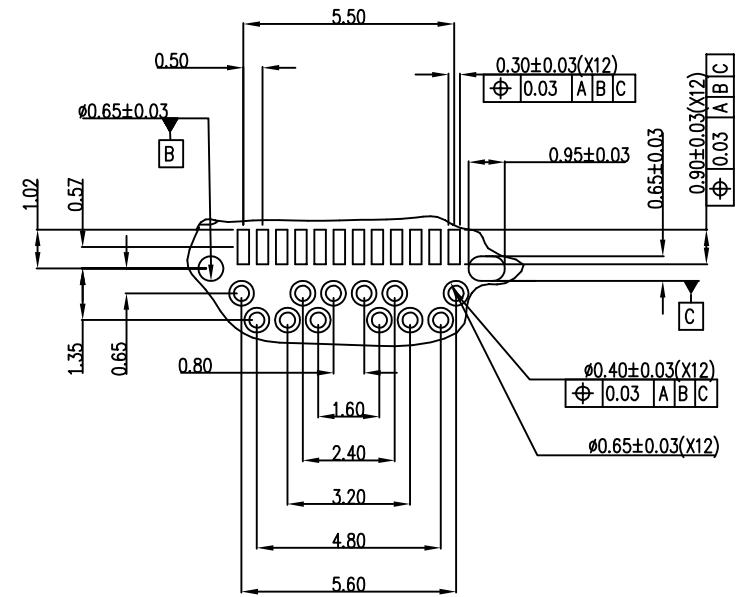


		RoHS Compliant			
TOLERANCES EXCEPT AS NOTED		TITLE USB TYPE - C CONN RECEPTACLE - TOP MOUNT TYPE			
MM	±				
.0 ± 0.25	±	DFTO : LYNN		DRAWING NO. CE8124-015-01	
.00 ± 0.20	±	DATE : 09/21/2015		/PART NO. E8124-015-01	
.000 ± 0.10	±	SCALE : 1:1		DO NOT SCALE DRAWING	
ANGLES ± 1°		SHEET 1 OF 2		SIZE A3	REV 11

REVISION RECORD		
REV	DESCRIPTION	DRFT
10	A RELEASE	LYNN 09/21/15
11	CORRECT DIMENSION	RICKY 05/24/17



RECOMMENDED PCB LAYOUT
THICKNESS IS 0.9mm
TOLERANCE ± 0.05



DETAIL A
SCALE 7:1

		RoHS Compliant			
TOLERANCES EXCEPT AS NOTED MM ± .0 ± 0.25 ± .00 ± 0.20 ± .000 ± 0.10 ±		TITLE USB TYPE – C CONN RECEPTACLE – TOP MOUNT TYPE			
ANGLES ± 1° 		DFTO : LYNN DATE : 09/21/2015		DRAWING NO. CE8124-015-01 /PART NO. E8124-015-01	
THIRD ANGLE PROJECTION		SCALE : 1:1		DO NOT SCALE DRAWING	
		SIZE REV A3 11		SHEET 2 OF 2	