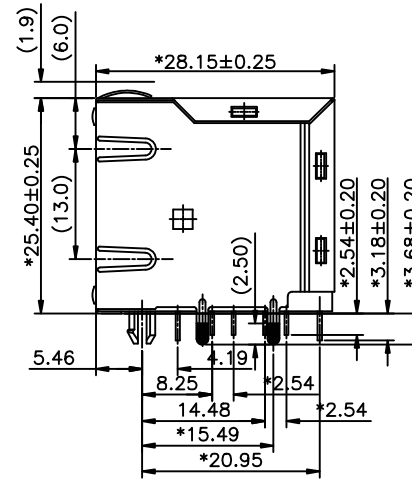
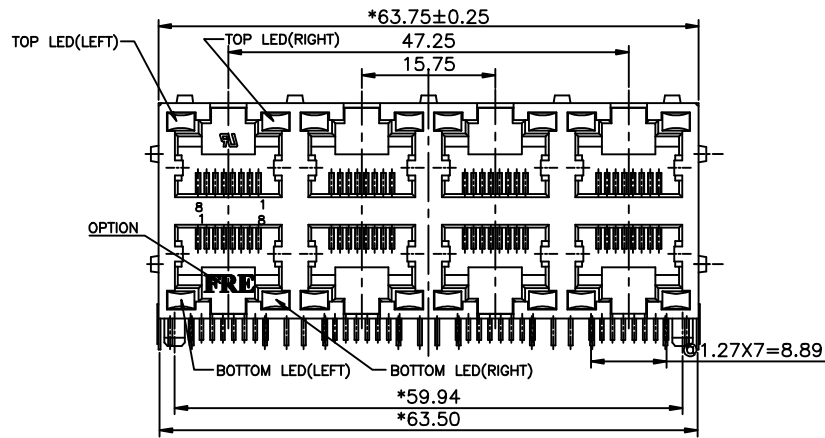


REVISION RECORD				
REV	ECO	DESCRIPTION	DRFT	CHKD



NOTES:

ELECTRICAL:

- VOLTAGE RATING : 125 VAC RMS.
- CURRENT RATING : 1.5 AMP.
- CONTACT RESISTANCE : 50 MILLIOHMS MAX.
- INSULATION RESISTANCE : 1000 MEGOHMS MIN @ 500 VDC.
- DIELECTRIC STRENGTH : 1000 VAC RMS 60Hz, 1MIN.

MECHANICAL:

- HOUSING MATERIAL : FR52 UL94V-0.
- INSERT MATERIAL : FR50 UL94V-0.
- CONTACT MATERIAL : PHOSPHOR BRONZE T=0.35mm.
- PLATING : 1: CONTACT AREA- SELECTIVE GOLD PLATING.
2: TAILS- 150u" TIN-LEAD MIN OVER 50u" NICKEL.
- OPERATING LIFE : 750 CYCLES MIN.
- PCB RETENTION PRE-SOLDER: 1 LB MIN.
- PCB RETENTION POST-SOLDER: 10 LBS MIN.

ENVIRONMENTAL:

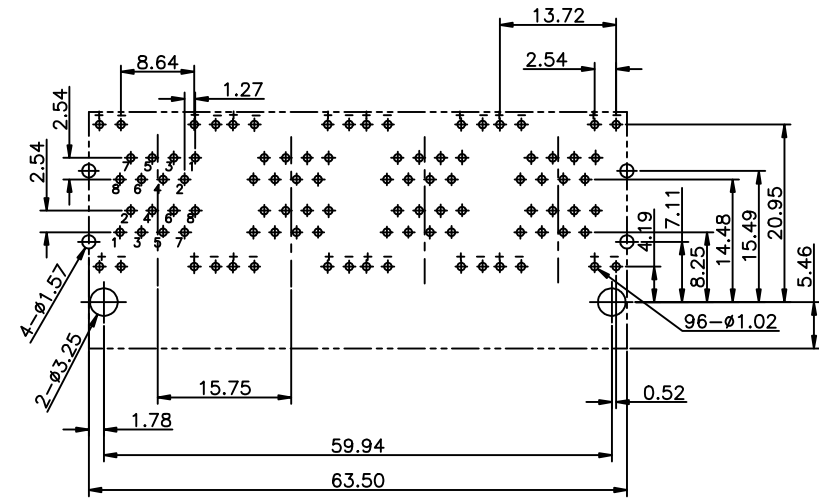
- STORAGE: -40°C TO $+85^{\circ}\text{C}$.
- OPERATION: 0°C TO 70°C .
- WAVE SOLDERING TEMPERATURE: $230 \sim 250^{\circ}\text{C}$ (3~5SECONDS)

MATES WITH MODULAR PLUG CONFORMING TO

FCC PART 68, SUBPART F.

FUL PART NO:E163191

PART NUMBER: E5J88-L4TFC4-L

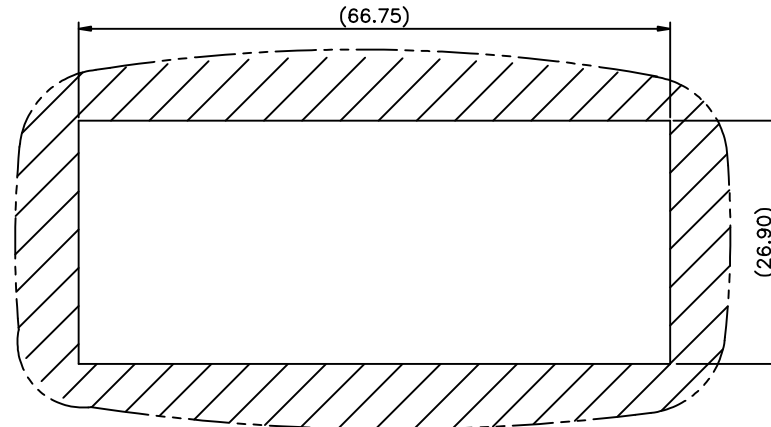
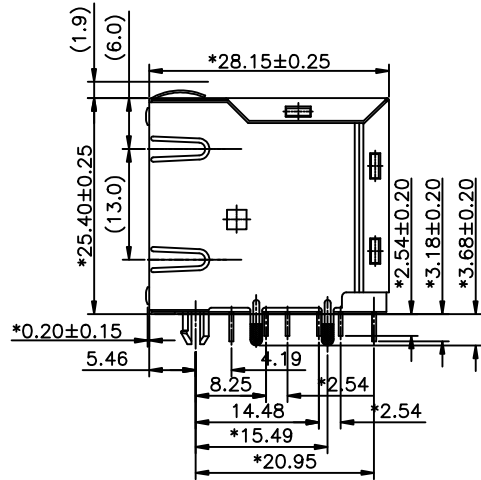


PCB LAYOUT

DETACHED LISTS	MM (INCH)	DFTO WJY	DATE 07/10/05	FULL RISE ELECTRONIC CO., LTD	
	TOLERANCES EXCEPT AS NOTED	CHKD	DATE		
	MM	MFO	DATE	TITLE 2*4 LED JACK (PITCH=15.75)	
	.0 ±0.20 ±	APPVL XLF	DATE 07/13/05		
.00 ±0.15 ±	MATERIAL :	DRAWING NO. GE5J3P05-LB		SIZE A3	REV 0
.000 ±0.075 ±	ANGLES ±	QTY :	/PART NO. SEE NOTE		
	THIRD ANGLE PROJECTION	FINISH :	DO NOT SCALE DRAWING		SHEET X OF Y
		SCALE : 1:1			

H
G
F
E
D
C
B
A

REVISION RECORD				
REV	ECO	DESCRIPTION	DRFT	CHKD



RECOMMENDED PANEL CUTOUT

NOTES:

ELECTRICAL:

1. VOLTAGE RATING : 125 VAC RMS.
2. CURRENT RATING : 1.5 AMP.
3. CONTACT RESISTANCE : 50 MILLIOHMS MAX.
4. INSULATION RESISTANCE : 1000 MEGOHMS MIN @ 500 VDC.
5. DIELECTRIC STRENGTH : 1000 VAC RMS 60Hz, 1MIN.
6. CATEGORY 5 CHARACTERISTIC(1&2,3&6):

Frequency	Near-End Cross Talk dB, MIN.	Return Loss dB, MIN.	Attenuation dB, MAX.
1.0 MHZ	65	23	0.1
4.0 MHZ	65	23	0.1
8.0 MHZ	62	23	0.1
10.0 MHZ	60	23	0.1
16.0 MHZ	56	23	0.2
20.0 MHZ	54	23	0.2
25.0 MHZ	52	14	0.2
31.25 MHZ	50	14	0.2
62.5 MHZ	44	14	0.3
100.0 MHZ	40	14	0.4

DETACHED LISTS	MM (INCH)	DFTO WYJ	DATE 07/10/05'	FULL RISE ELECTRONIC CO., LTD TITLE 2*4 LED JACK (PITCH=15.75) DRAWING NO. GE5J3P05-LB /PART NO. SEE NOTE DO NOT SCALE DRAWING
	TOLERANCES EXCEPT AS NOTED	CHKD	DATE	
	MM	MFO	DATE	
	.0 ±0.20 ±	APPLY XLF	DATE 07/13/05'	
.00 ±0.15 ±	MATERIAL :		SIZE	
.000 ±0.075 ±	QT'Y :		REV	
ANGLES ±	FINISH :		A3	
THIRD ANGLE PROJECTION	SCALE : 1:1		0	
SHEET X			OF Y	