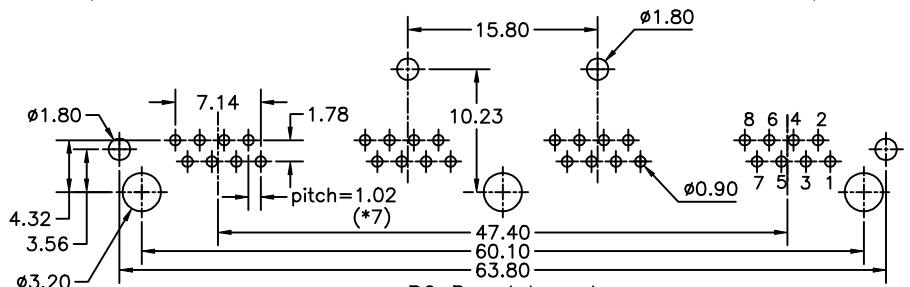
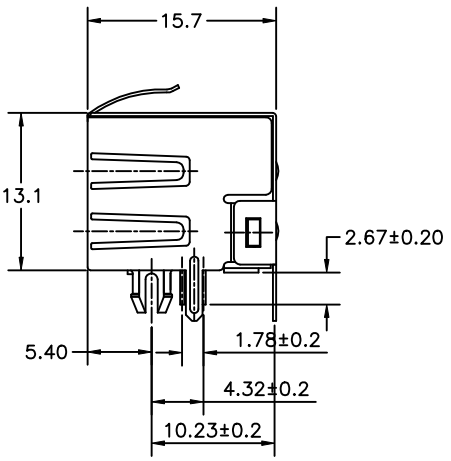
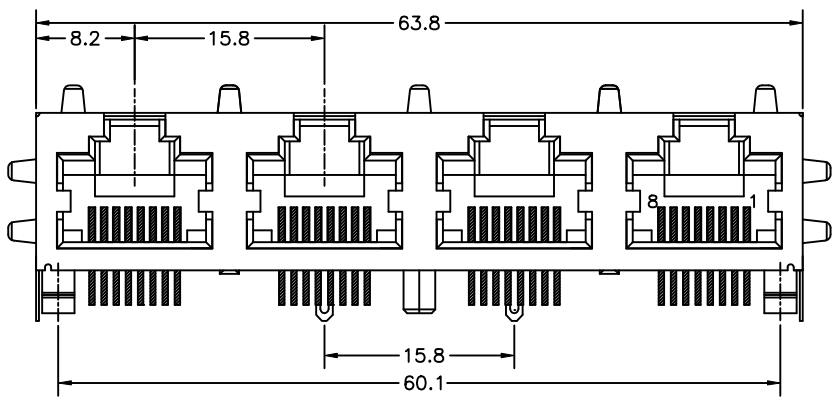


REVISION RECORD				
REV	ECO	DESCRIPTION	DRFT	CHKD



PC Board Layout  
Component Side Shown  
PCB t = 1.60mm

**NOTES:**  
**ELECTRICAL:**

- VOLTAGE RATING : 125 VAC RMS.
- CURRENT RATING : 1.5 AMP.
- CONTACT RESISTANCE : 30 MILLIOHMS MAX.
- INSULATION RESISTANCE: 1000 MEGOHMS MIN @ 500 VDC.
- DIELECTRIC STRENGTH : 1000 VAC RMS 60Hz, 1MIN.
- OPERATING: 750 CYCLES MIN.

**MECHANICAL:**

- HOUSING MATERIAL : FR52 UL94V-0. COLOR-BLACK.
- INSERT MATERIAL : FR52 UL94V-0. COLOR-BLACK.
- BACK PLATE MATERIAL : FR52. COLOR-BLACK.
- SHIELD MATERIAL : COPPER ALLOY 0.25mm THICKNESS PLATING NI.
- CONTACT MATERIAL : PHOSPHOR BRONZE 0.35mm THICKNESS OR Ø0.46mm.
- PLATING : GOLD PLATING OVER NICKEL.
- PCB RETENTION PRE-SOLDER : 1 LB MIN.
- PCB RETENTION POST-SOLDER: 10 LBS MIN.

**ENVIRONMENTAL:**

- STORAGE : -40°C TO +85°C.
  - OPERATION: 0°C TO 70°C.
  - WAVE SOLDERING TEMPERATURE: 255~265°C (5~10 SECONDS)
- MATES WITH MODULAR PLUG CONFORMING TO  
FCC PART 68, SUBPART F.  
CUL FILE NO. E163191

ROHS PART NUMBER: E5J88 - 6 X X J X X-L

- 1-NO TAB
- 2-TOP TABS.
- 3-SIDE TABS.
- 4-TOP TABS & SIDE TABS.

PLATING: 1-3u" 3-15u"  
2-6u" 4-30u"  
5-50u"

B-NI SHIELD STAMPED PIN.  
F-NI SHIELD ROUND PIN(Ø0.46).

W/O LOGO, A05-0130-L

4-4 PORTS W/O MIDDLE POLE  
C-4 PORTS W/ MIDDLE POLE

DETACHED LISTS	MM (INCH)		DFTO Jake	DATE 07/23/05'	FULL RISE ELECTRONIC CO., LTD	
	TOLERANCES EXCEPT AS NOTED		CHKD SAMMY	DATE 2005/07/25		
	MM	±	MFO	DATE	TITLE RJ45 W/O LED JACK 4 PORTS	
	.0 ± 0.2	±	APPLV LUSHENG	DATE 2005/07/25		
	.00 ± 0.15	±	MATERIAL :		DRAWING NO. GE5J3A18-LA	
.000 ± 0.075	±	ANGLES ±		/PART NO. SEE NOTE		
THIRD ANGLE PROJECTION		SCALE :		DO NOT SCALE DRAWING		
		QTY :		SIZE REV		
		FINISH :		A3 0		
		SCALE :		SHEET 1 OF 1		