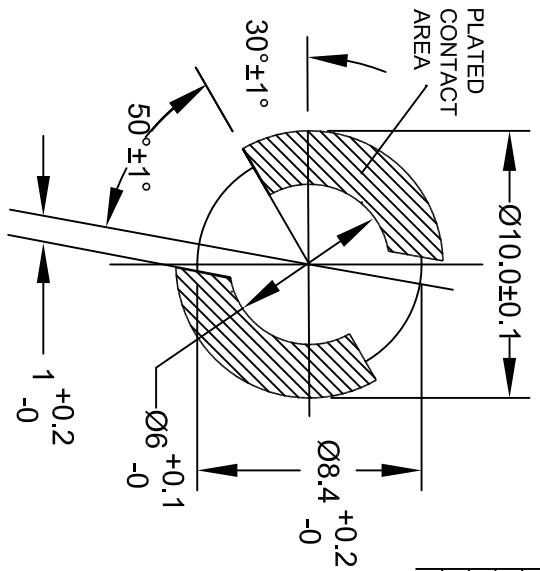
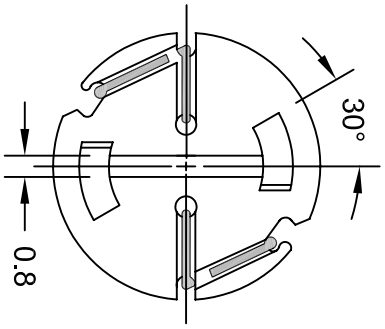
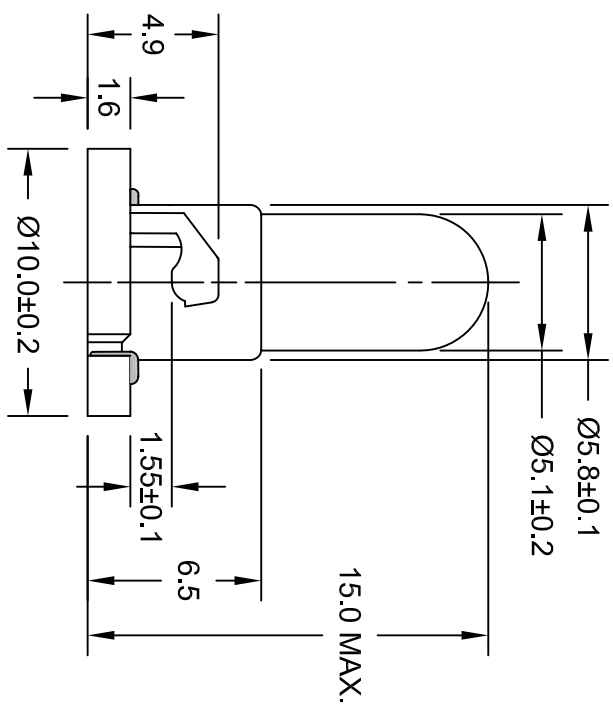
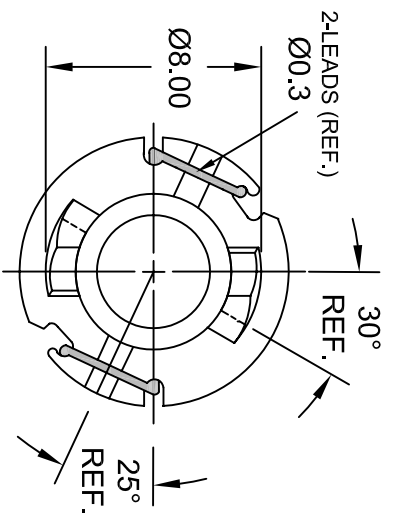


REV.	DESCRIPTION/ECO NO.	DATE
RELEASED		11/19/02
A	CHANGE TO LEAD (Pb) FREE ASSEMBLY	1/18/05



PC BOARD PUNCH PATTERN
(NO TREATMENT, SUCH AS APPLICATION OF FLUX, SHALL BE DONE.)

JKL PART NO.: DNW1-EW87/GRA***

JKL LAMP NUMBER	VOLTS RATED	AMPS ±10%	*MSCP ±25%	*LUMENS ±25%	AVERAGE LIFE HRS.	FILAMENT TYPE
EW87**	14.0	.140	.95*	12.0*	7,000 D.C.	C-2V

*LAMP RATED ONLY WITHOUT BASE
 **LAMP GLASS LEAD (Pb) FREE
 ***LAMP AND BASE ASSEMBLY LEAD (Pb) FREE

CONTACT JKL FOR LEAD (Pb) FREE LOT IDENTIFICATION
 BASE COLOR: GRAY

METRIC	DIMENSIONS ARE IN MILLIMETERS	TOLERANCE UNLESS OTHERWISE SPECIFIED	1 PL +/- 0.2	2 PL +/- 0.20	ANGLE +/- 0
THIRD ANGLE PROJECTION					
DRAWN BY	APP'D BY	DATE	SIZE	FSCM NO.	DRAWING NO.
L. WENGSTROM	J.K.	1/18/05	A	55335	
JKL COMPONENTS CORPORATION					
TITLE T-1 1/4 NEO-WEDGE GRAY BASE WITH T-1 1/2 EW87 LAMP					
DNW1-EW87/GRA					
- CAD DRAWING -	SCALE	RELEASED DATE	REVISION DATE	REV. NO.	SHEET
MANUAL REVISIONS NOT PERMITTED	NONE	11/19/02	1/18/05	A	1 OF 1