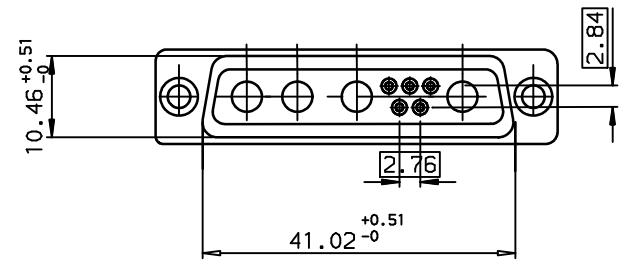
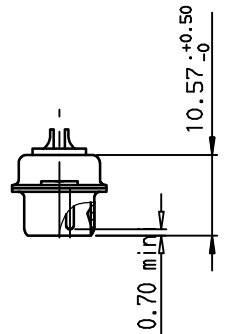
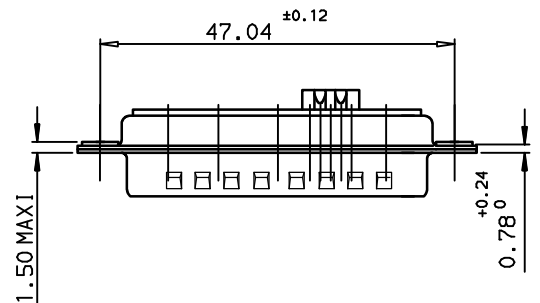
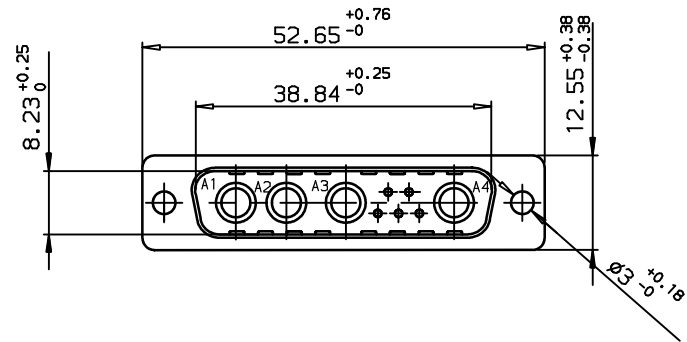




Copyright FCI.



TIN LEAD PART NUMBER

DB9W4PA00
PART NUMBER

LEAD FREE PART NUMBER

DB9W4PA00LF
PART NUMBER

GENERAL CHARACTERISTICS AND ROHS INFORMATIONS:
SEE DRAWING C01-8639-0003

European Views

rev	ecn no	dr	date
B	-	BAR	2003/10/17
C	LS05-005	MPE	2005/03/14
D	LS06-0095	LGO	2006/07/19
-	-	-	-
-	-	-	-
-	-	-	-
-	-	-	-

www.fciconnect.com		surface ISO 1302 ✓	tolerance std ISO 406 ISO 1101	projection mm	TOLERANCES UNLESS OTHERWISE SPECIFIED	
Dr	JARRY	1996/02/01	ANGULAR	LINEAR	0.x ±0.1	size A3
Eng	PESSON	1996/02/01	0.xx ±0.1	0.xxx ±0.1	Scale 1.5	
Chr	LEGARE	1996/02/01	0.xx* ±2*		ECN LS06-0095	
Appr	LEGARE	1996/02/01	Product family	D-SUB	Spec ref -	
FCI			title PIN CONNECTOR FOR POWERS CONTACTS		catLog no	Rev. D
			C01-8639-0465		CUSTOMER sheet 1 of 1	

REV F - 2006-04-17