

REFERENCE SPECIFICATIONS

-NFC 93425 (in compliance with HE 507)

PHYSICAL CHARACTERISTICS

- INSULATOR MATERIAL: THERMOPLASTIC UL94 V-0
- ACCESSORIES: STAINLESS STEEL or BRASS, cadmium plated yellow passivation
- SHELLS: STEEL, cadmium plated yellow passivation

ELECTRICAL CHARACTERISTICS

- CONTACT/CONTACT : >=1000 V
- CONTACT/GROUND : >=1200 V
- INSULATION RESISTANCE: >=5000 MOhms

ENVIRONMENTAL CHARACTERISTICS

- CLIMATIC CATEGORY: 55/125/56
- TEMPERATURE RANGE -55°C TO +125°C
- DAMP HEAT STEADY STATE 56 DAYS
- SALT SPRAY 48 HOURS

DBMF5W5SN

Series

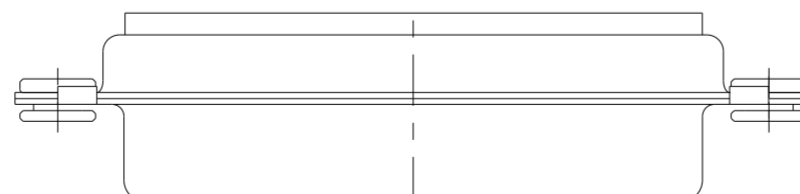
Shell size: **E A B C**
see sheet 2

Front accessory definition
see sheet 2

- Blank** :without accessory
- L** :threaded insert M3
- O** :threaded insert UNC 4-40
- V** :female screw UNC 4-40
- I** :female screw M3
- F** :floating mounting

Contacts
Layout of contacts (see sheet 3)

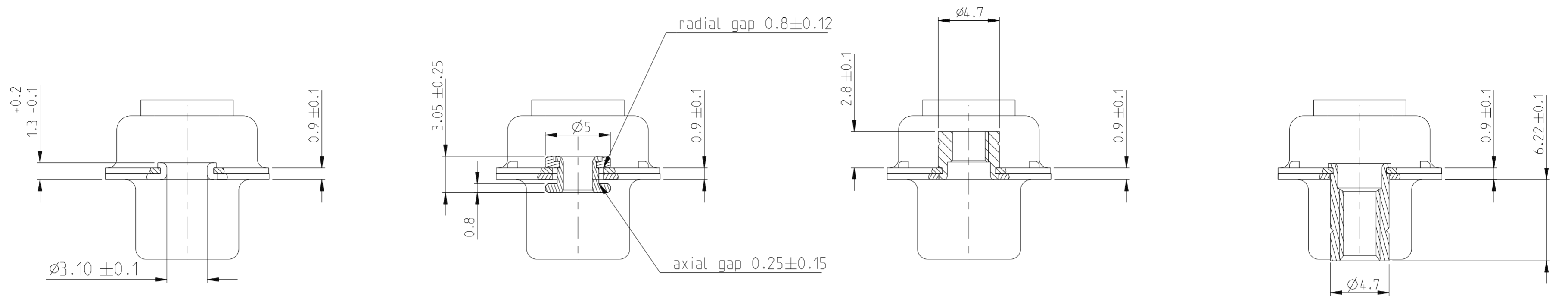
- S** :Socket
- N** :mandatory indication for HE 507 series



rev	ecn no	dr	date
A	LS06-0174	MPE	2006/11/14
B	LS07-0273	MPE	2007/10/30
C	F10-0072	LSA	2010/07/20
-	-	-	-
-	-	-	-
-	-	-	-
-	-	-	-
-	-	-	-

www.fciconnect.com		surface ISO 1302	-	tolerance std ISO 406	ISO 1101	projection ⊕	mm
		TOLERANCES UNLESS OTHERWISE SPECIFIED					
Dr	Pro Engineer 1	2015/06/14	ANGULAR	0.X	±0.3	size	Scale
Eng	Marty Glass	2015/06/16	LINEAR	0.XX	±0.1	A2	2:1
Chr	-	-	0° ±2°	0.XXX	±0.05	ECN	-
Appr	-	-	Product family	-	Spec ref	Released	-
FCj		title		SUB FEMALE DMW		dwg no	Rev.
		full power without contact		C01-8637-1731C			C
catalog no		Product - Customer		Drw		sheet 1 of 4	

Copyright FCI. FCj



FRONT ACCESSORY	Blank without	F Floating mounting	L insert M3 O insert UNC 4.40	V Female screw UNC 4.40 I Female screw M3
-----------------	----------------------	----------------------------	--	--

PART NUMBER	FRONT ACCESSORY
D*M*W*SN	without
D*ML*W*SN	insert M3
D*MO*W*SN	insert UNC 4-40
D*MV*W*SN	female screw UNC 4-40
D*MI*W*SN	female screw M3
D*MF*W*SN	floating mounting

shell size LAYOUTS

*	xW x
E	2V2
A	3V3
A	3W3
B	5W5
C	8W8

SCALE: 4

www.fciconnect.com		surface ISO 1302	-	tolerance std ISO 406	ISO 1101	projection	mm
		TOLERANCES UNLESS OTHERWISE SPECIFIED					
Dr	Pro Engineer 1	2015/06/14	ANGULAR	0.X	±0.3	size	Scale
Eng	Marty Glass	2015/06/16	LINEAR	0.XX	±0.1	A2	4:1
Chr	-	-	0° ±2°	0.XXX	±0.05	ECN	-
Appr	-	-	Product family	-	Spec ref	Released	
FCJ		title		SUB FEMALE DMW		dwg no	C01-8637-1731C
		full power without contact				Rev.	C
		catalog no		-Product - Customer Drw		sheet 2 of 4	

PDS: Rev : C

STATUS: Released

Printed: Jun 18, 2015

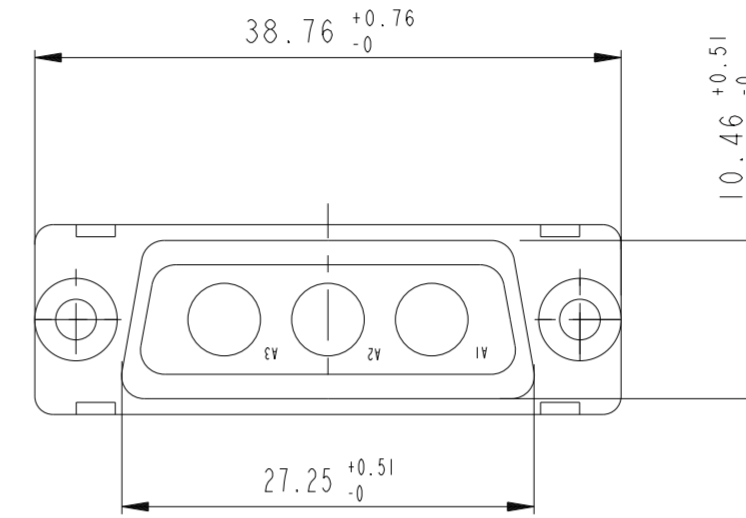
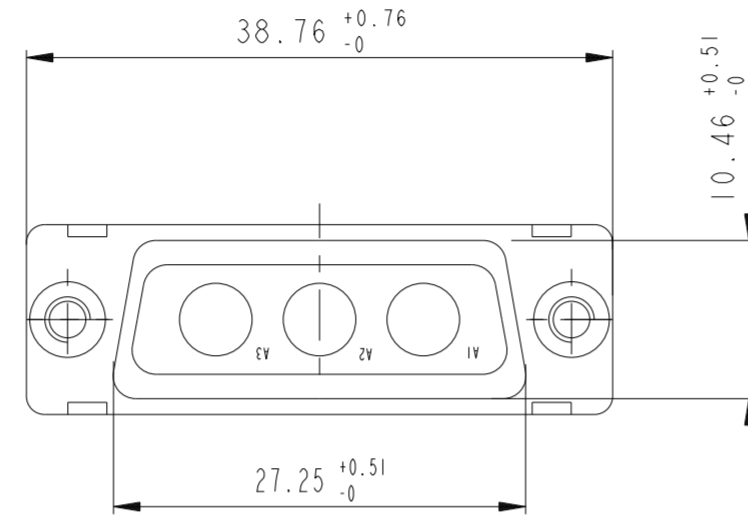
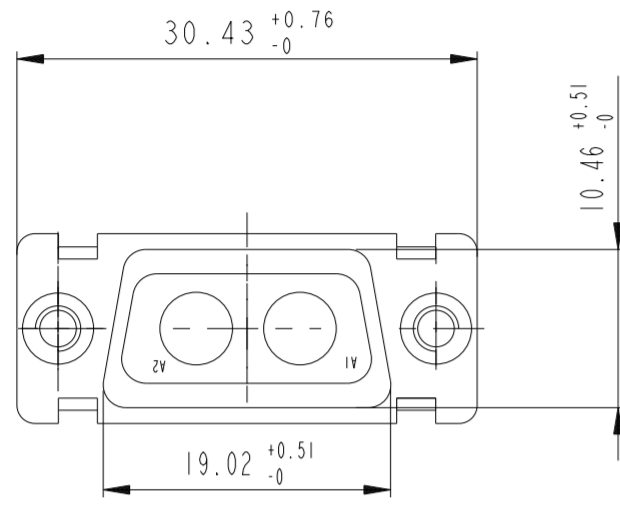


Copyright FCJ.

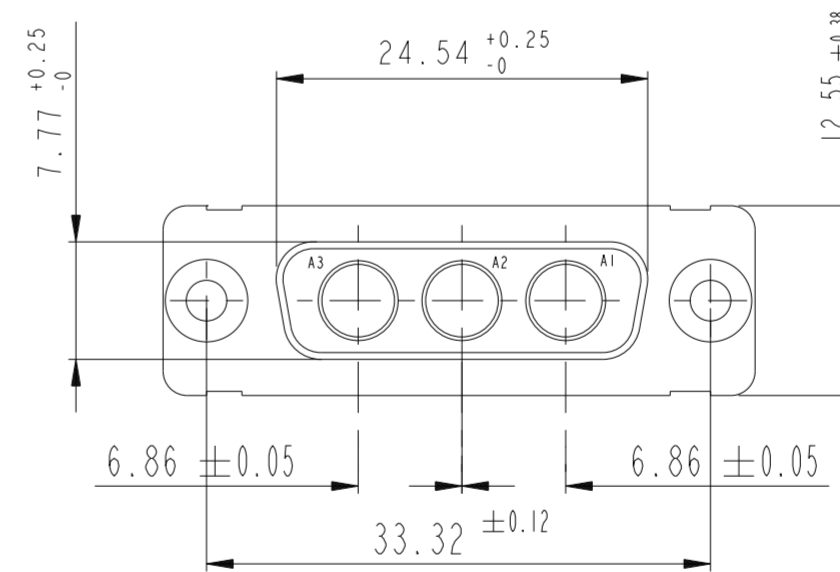
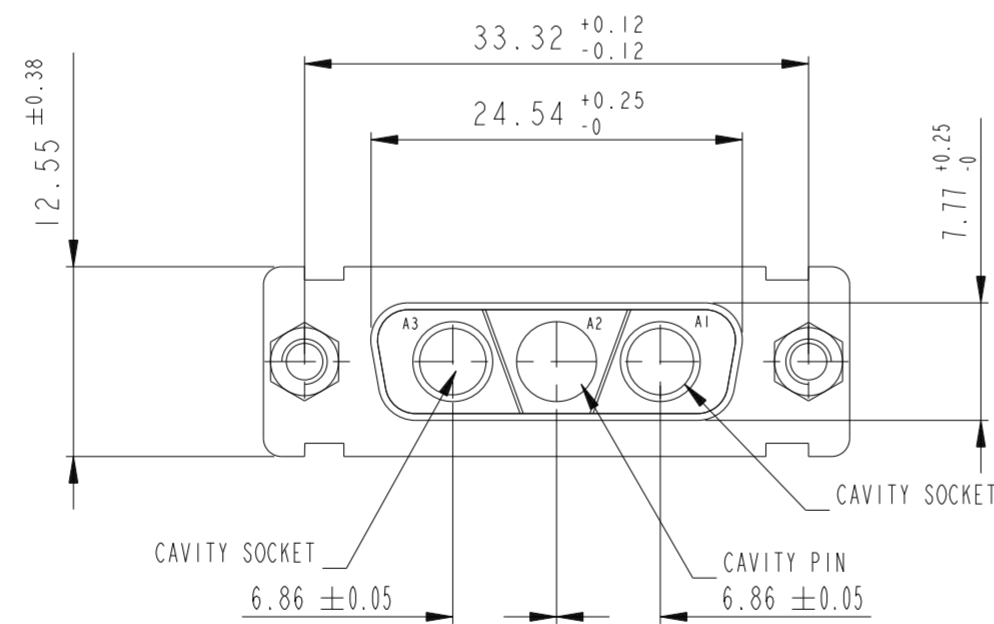
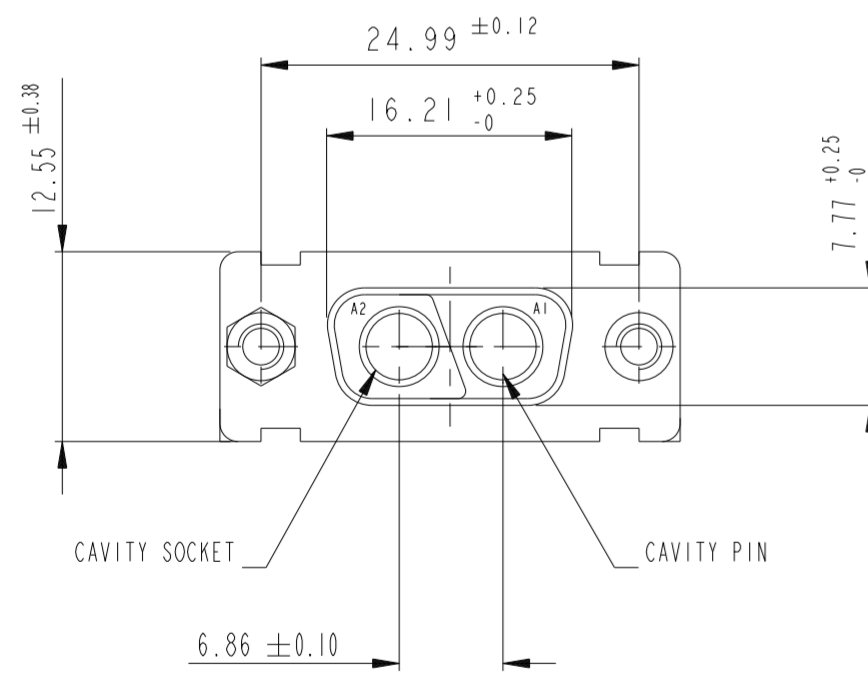
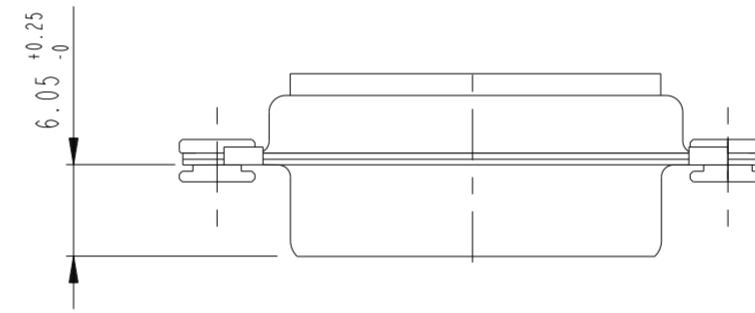
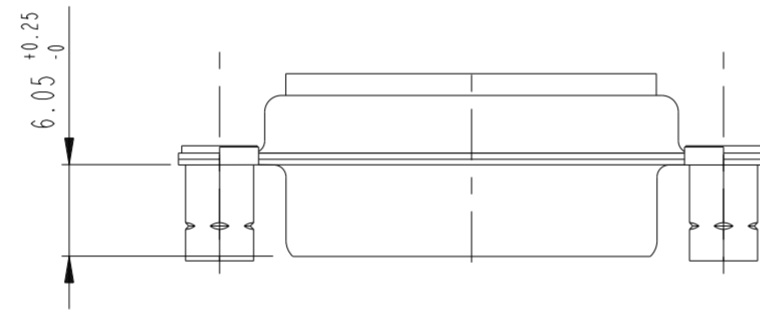
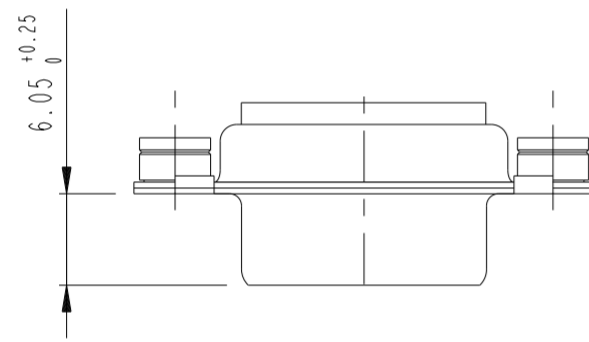
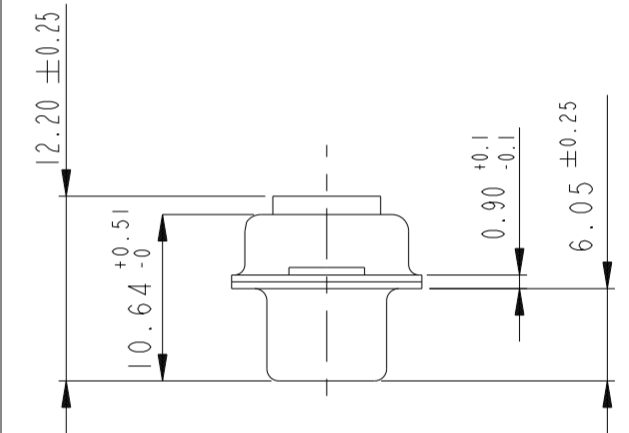
2V2

3V3

3W3



SIDE VIEW FOR LAYOUTS: E A B C

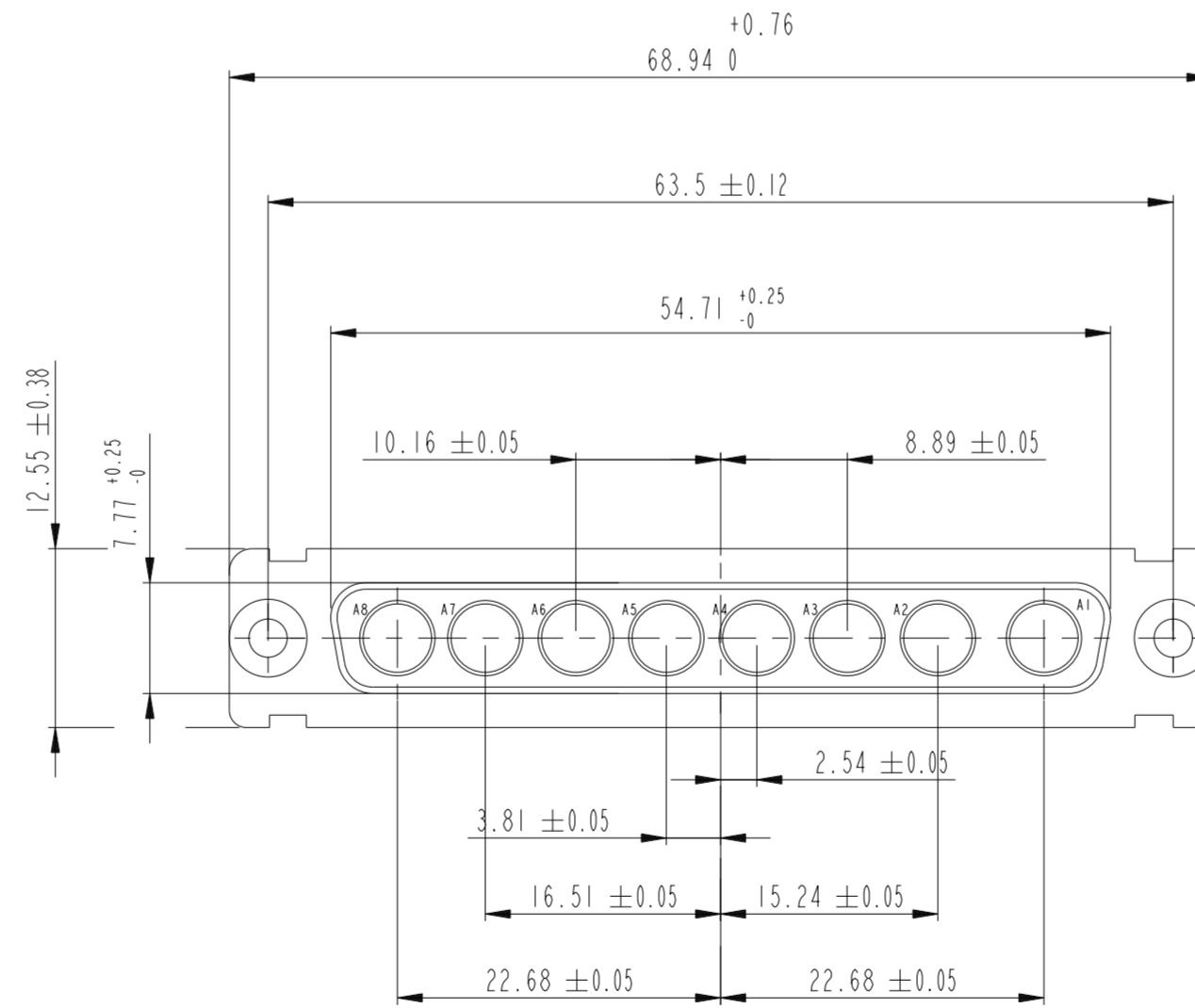
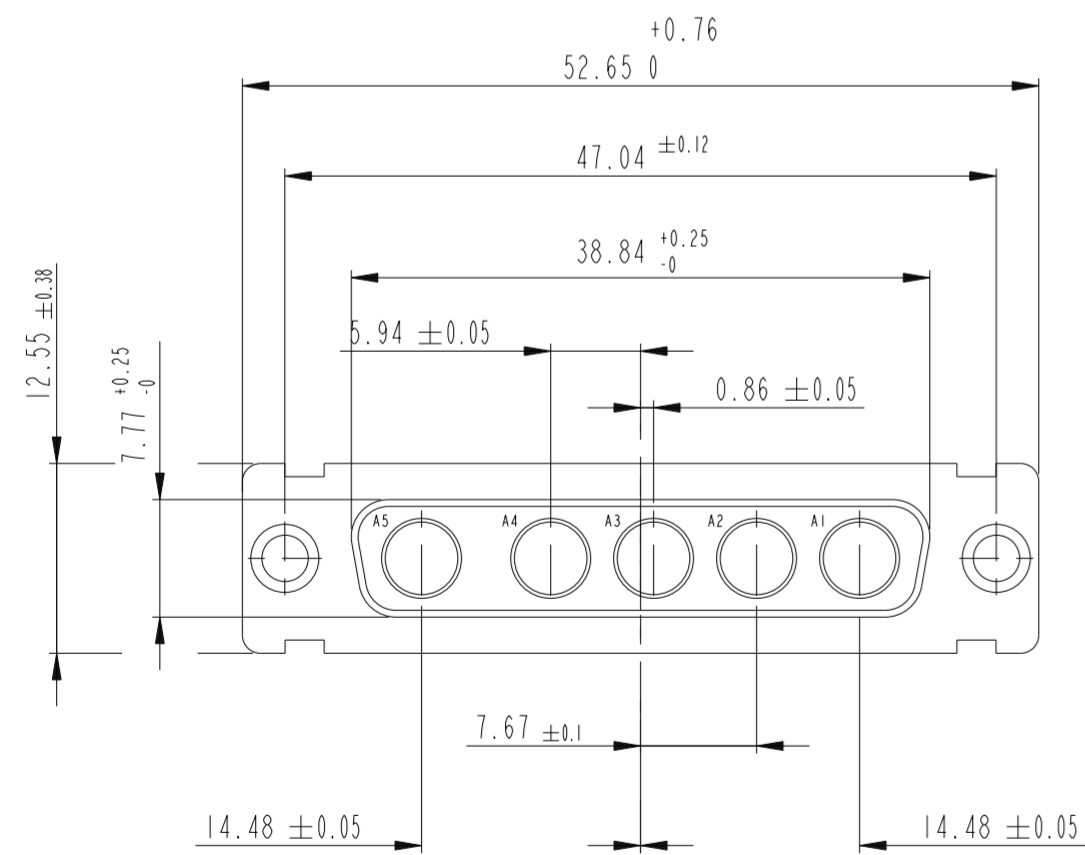
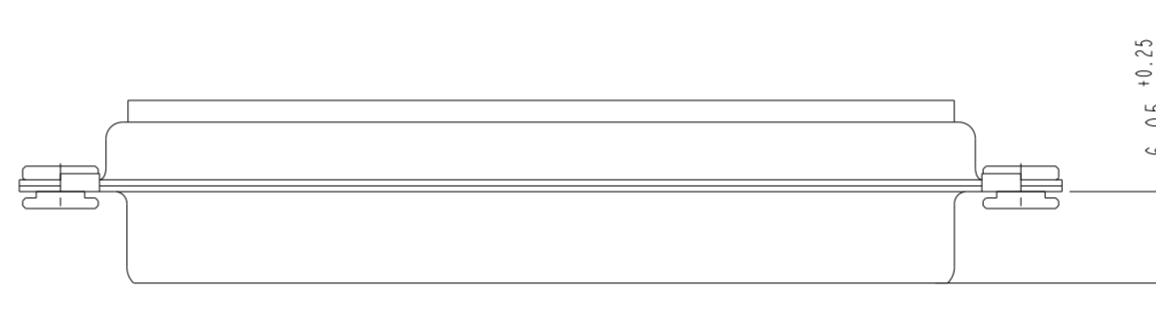
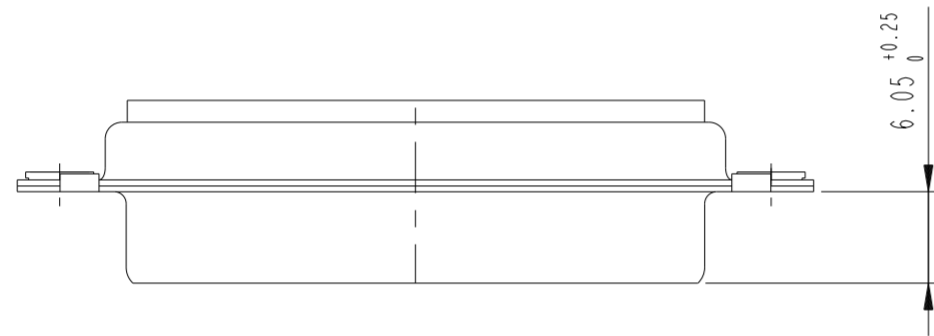
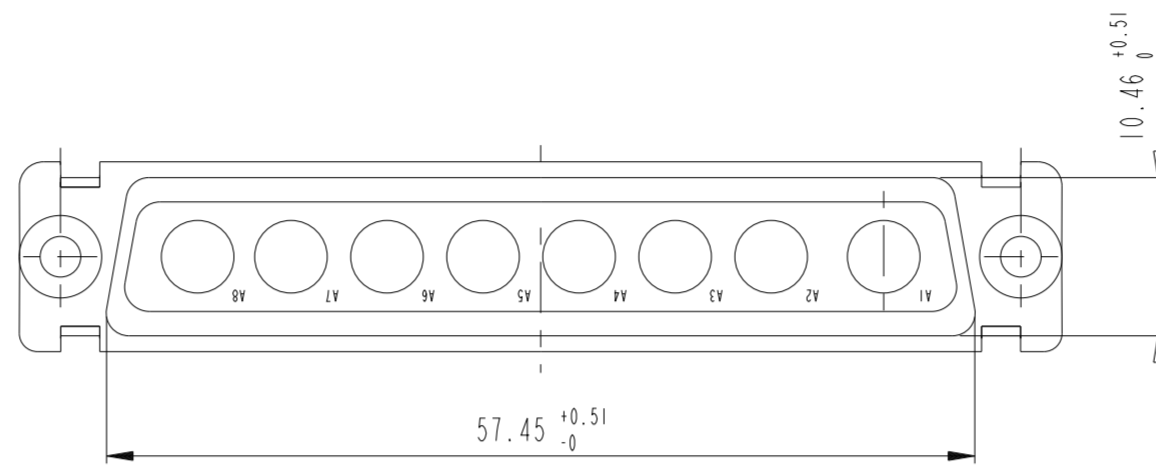
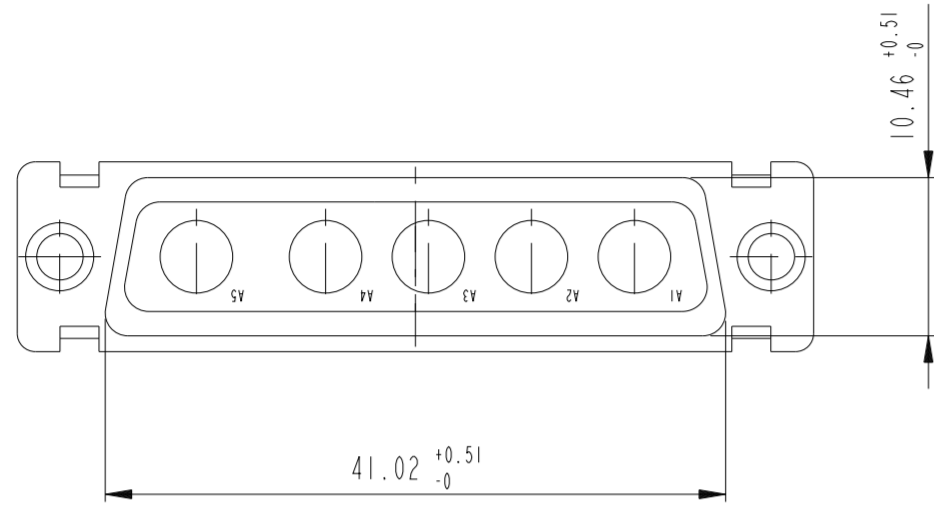


Copyright FCI. FCJ

www.fciconnect.com		surface	ISO 1302	tolerance std	ISO 406	ISO 1101	projection	mm
		TOLERANCES UNLESS OTHERWISE SPECIFIED						
Dr	Pro Engineer 1	2015/06/14	ANGULAR	0.X	±0.3	size	A2	Scale
Eng	Marty Glass	2015/06/16	LINEAR	0.XX	±0.1			2:1
Chr	-	-	0° ±2°	0.XXX	±0.05	ECN	-	
Appr	-	-	Product family			Spec ref	Released	
		title			SUB FEMALE DMW		dwg no	C01-8637-1731C
		full power without contact					Rev.	C
		catalog no			- Product - Customer Drw		sheet 3 of 4	

5W5

8W8



www.fciconnect.com		surface ISO 1302	tolerance std ISO 406 ISO 1101	projection ISO 1101	mm
		TOLERANCES UNLESS OTHERWISE SPECIFIED			
Dr Pro Engineer 1	2015/06/14	ANGULAR	0.X ±0.3	size A2	Scale 2:1
Eng Marty Glass	2015/06/16	LINEAR	0.XX ±0.1		
Chr	-	0° ±2°	0.XXX ±0.05	ECN	-
Appr	-	Product family	-	Spec ref	Released
FCJ		Title SUB FEMALE DMW full power without contact		Dwg no C01-8637-1731C	Rev. C
catalog no		- Product - Customer Drw		sheet 4 of 4	

Copyright FCJ. FCJ