

A

B

C

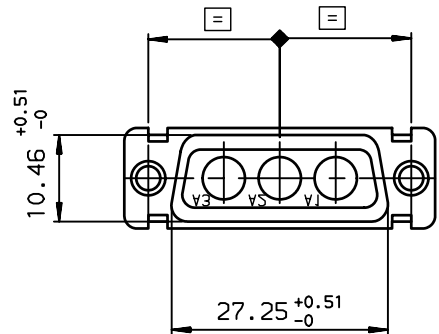
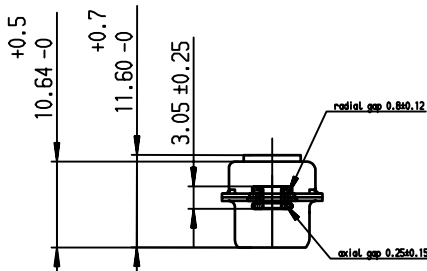
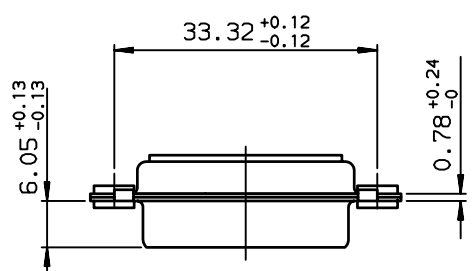
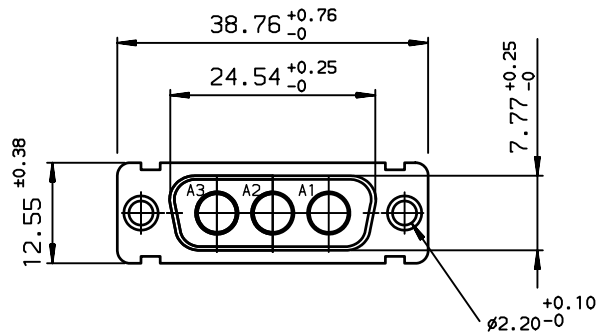
D

A

B

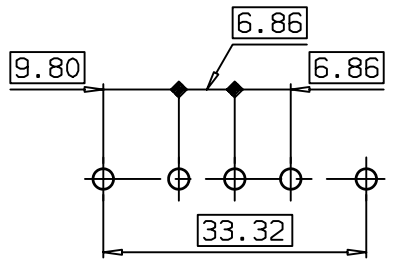
C

D



PART NUMBER : DAF3W3SA00LF

LAYOUT DIMENSIONS (after plating)
CONNECTOR SIDE VIEW



GENERAL CHARACTERISTICS AND ROHS INFORMATIONS:
SEE DRAWING C01-8639-0001

European Views

www.fciconnect.com		surface ISO 1302 ✓	tolerance std ISO 406 ISO 1101	projection mm
		TOLERANCES UNLESS OTHERWISE SPECIFIED		mm
Dr	PESSON	2005/11/22	0.X ±0.1	size A3
Eng	PESSON	2005/11/22	0.XX ±0.1	Scale 1.5
Chr	LEGARE	2005/11/22	0.XX ±2*	ECN LS07-0273
Appr	LEGARE	2005/11/22	0.XXX ±0.1	Spec ref -
Product family			D-SUB	
		SOCKET CONNECTORS SUB D FOR POWERS CONTACTS .		title C01-8639-2296
catalog no		-		Rev. C
CUSTOMER		sheet 1 of 1		

rev	ecn no	dr	date
A	LS05-0106	MPE	2005/11/22
B	LS06-0095	LGO	2006/06/17
C	LS07-0273	MPE	2007/10/30
-	-	-	-
-	-	-	-
-	-	-	-



Copyright FCJ.