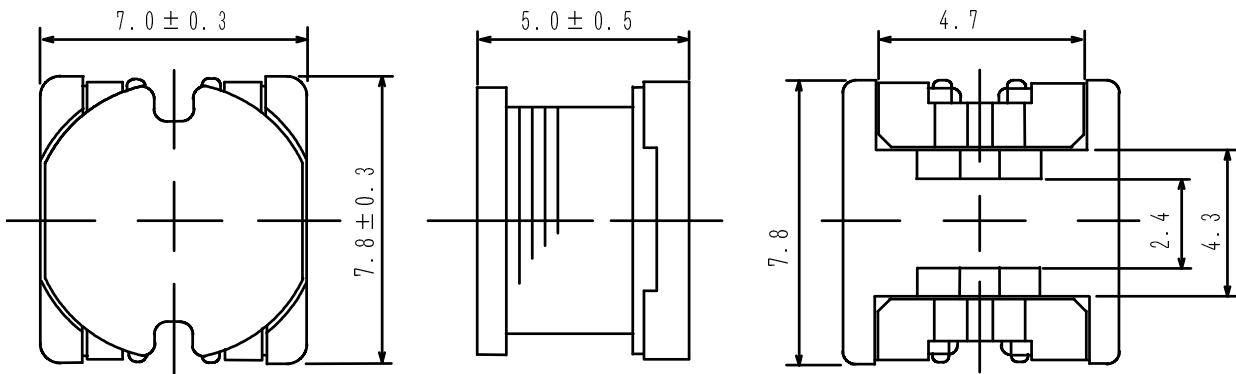
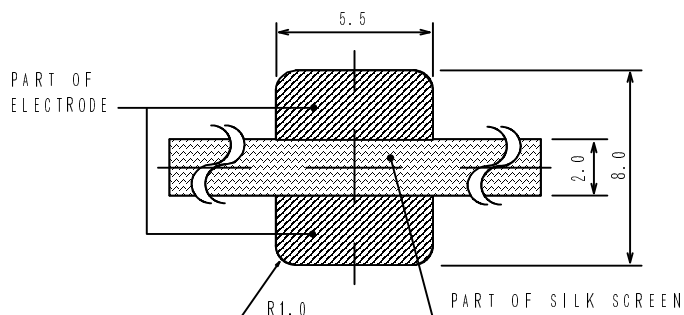


**Type: CR75**
**◆ Product Description**

- 8.1×7.3mm Max.(L×W), 5.5mm Max. Height.
- Inductance range: 1.2~470  $\mu$  H.
- Rated current range: 0.34~6.0A.
- In addition to the standard versions of inductors shown here, custom inductors are available to meet your exact requirements.


**◆ Feature**

- Magnetically unshielded construction.
- Storage temperature range: -40°C ~+100°C.
- Operating temperature range: -40°C ~+100°C (Including coil's self temperature rise).
- Ideally used in A/V equipment, LCD TV,DSC/DVC, Game Machine, DVC, HDD, Notebook PC, etc as DC-DC converter inductors.
- RoHS compliance.

**◆ Dimensions (mm)**

**◆ Land Pattern (mm)**


**Type: CR75**
**◆ Specification**

| Part Name<br>※ | Stamp | Inductance<br>( $\mu$ H) ※1 | D.C.R. (m $\Omega$ )<br>[MAX.]<br>(at 20°C) | Rated Current<br>(A)※2 | S.R.F.<br>(MHz) [TYP.] |
|----------------|-------|-----------------------------|---|------------------------|------------------------|
| CR75NP-1R2M□   | 1R2M  | 1.2 $\pm$ 20%               | 15.6m                                       | 6.0                    | 53.7                   |
| CR75NP-1R5M□   | 1R5M  | 1.5 $\pm$ 20%               | 17.0m                                       | 5.5                    | 45.6                   |
| CR75NP-2R2M□   | 2R2M  | 2.2 $\pm$ 20%               | 19.5m                                       | 4.5                    | 36.4                   |
| CR75NP-2R7M□   | 2R7M  | 2.7 $\pm$ 20%               | 22.1m                                       | 4.2                    | 31.1                   |
| CR75NP-3R3M□   | 3R3M  | 3.3 $\pm$ 20%               | 24.7m                                       | 3.7                    | 26.8                   |
| CR75NP-3R9M□   | 3R9M  | 3.9 $\pm$ 20%               | 27.3m                                       | 3.5                    | 24.6                   |
| CR75NP-4R7M□   | 4R7M  | 4.7 $\pm$ 20%               | 30.0m                                       | 3.1                    | 20.4                   |
| CR75NP-5R6M□   | 5R6M  | 5.6 $\pm$ 20%               | 32.5m                                       | 2.8                    | 20.0                   |
| CR75NP-6R8M□   | 6R8M  | 6.8 $\pm$ 20%               | 36.4m                                       | 2.7                    | 19.6                   |
| CR75NP-8R2M□   | 8R2M  | 8.2 $\pm$ 20%               | 41.6m                                       | 2.5                    | 18.0                   |
| CR75NP-100K□   | 100K  | 10 $\pm$ 10%                | 0.07  | 2.3                    | 28                     |
| CR75NP-120K□   | 120K  | 12 $\pm$ 10%                | 0.08  | 2.0                    | 23                     |
| CR75NP-150K□   | 150K  | 15 $\pm$ 10%                | 0.09  | 1.8                    | 22                     |
| CR75NP-180K□   | 180K  | 18 $\pm$ 10%                | 0.10  | 1.6                    | 20                     |
| CR75NP-220K□   | 220K  | 22 $\pm$ 10%                | 0.11  | 1.5                    | 17                     |
| CR75NP-270K□   | 270K  | 27 $\pm$ 10%                | 0.12  | 1.3                    | 15                     |
| CR75NP-330K□   | 330K  | 33 $\pm$ 10%                | 0.13  | 1.2                    | 15                     |
| CR75NP-390K□   | 390K  | 39 $\pm$ 10%                | 0.16  | 1.1                    | 14                     |
| CR75NP-470K□   | 470K  | 47 $\pm$ 10%                | 0.18  | 1.1                    | 13                     |
| CR75NP-560K□   | 560K  | 56 $\pm$ 10%                | 0.24  | 0.94                   | 11                     |
| CR75NP-680K□   | 680K  | 68 $\pm$ 10%                | 0.28  | 0.85                   | 11                     |
| CR75NP-820K□   | 820K  | 82 $\pm$ 10%                | 0.37  | 0.78                   | 10                     |
| CR75NP-101K□   | 101K  | 100 $\pm$ 10%               | 0.43  | 0.72                   | 9.2                    |
| CR75NP-121K□   | 121K  | 120 $\pm$ 10%               | 0.47  | 0.66                   | 7.7                    |
| CR75NP-151K□   | 151K  | 150 $\pm$ 10%               | 0.64  | 0.58                   | 6.1                    |
| CR75NP-181K□   | 181K  | 180 $\pm$ 10%               | 0.71  | 0.51                   | 5.8                    |
| CR75NP-221K□   | 221K  | 220 $\pm$ 10%               | 0.96  | 0.49                   | 5.2                    |
| CR75NP-271K□   | 271K  | 270 $\pm$ 10%               | 1.11  | 0.42                   | 4.8                    |
| CR75NP-331K□   | 331K  | 330 $\pm$ 10%               | 1.26  | 0.40                   | 4.3                    |
| CR75NP-391K□   | 391K  | 390 $\pm$ 10%               | 1.77  | 0.36                   | 4.3                    |
| CR75NP-471K□   | 471K  | 470 $\pm$ 10%               | 1.96  | 0.34                   | 3.8                    |

Please refer to the sales offices on our website for a representative near you

**Type: CR75**
**※ Description of part name**

CR75NP-1R2M□  
 └─ B Box  
 └─ C Carrier Tape

※1: Measuring frequency: 1.2  $\mu$  H  $\sim$  8.2  $\mu$  H ; at 7.96 MHz  
 10  $\mu$  H  $\sim$  82  $\mu$  H ; at 2.52 MHz  
 100  $\mu$  H  $\sim$  470  $\mu$  H ; at 1 kHz

※2. Rated current: The D.C. current at which the inductance decreases to 90% of its initial value or when  $\Delta t=40^{\circ}\text{C}$ , whichever is lower ( $T_a=20^{\circ}\text{C}$ ).