

DC Current Transducer

DIN RAIL / PANEL MOUNT, RMS



Single Element - .79" Window
0.1 to 600 ADC Input Range



Single Element - 1.2" Window
20 to 600 ADC Input Range

The **CR5200** Series, DC Current Transducers are designed to provide a DC signal which is proportional to a DC sensed current. These devices are designed for direct current only, targeting them towards general and daily applications. The ranges 2 to 10 Amp utilize an advanced Magnetic Modulator technology and the ranges 20 amps and above utilize Hall Effect technology.

Applications

Battery chargers and systems
DC motor drives
Power supply management
Mobile applications

Features

Closed loop sensing for accuracy
35mm DIN rail or panel mount
Available with ± 5 VDC, ± 10 VDC or 4 - 20 mADC outputs
Non-contact DC current sensing
Connection diagram printed on case

Regulatory Agencies

Constructed to meet UL 61010B-1
Constructed to meet CAN/CSA-C22.2, No. 61010-1-2004
Meets requirement of IEC 61010-1 and BS EN 61010-1



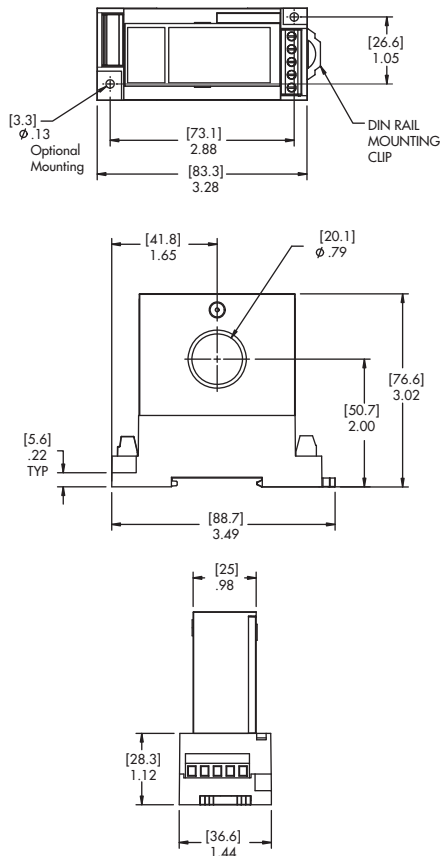
Contact Factory for Custom ± 5 VDC, ± 10 VDC
or 4 - 20 mADC Output Options

All single phase current transducers are available in split
core design. Simply put an "S" at the end of the prefix*
I.E. CR5210S-30

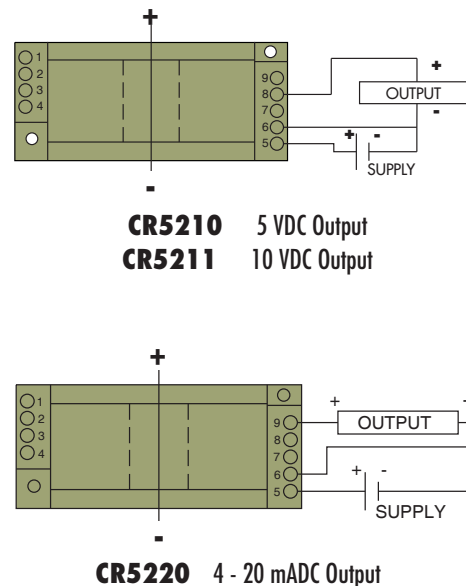
PART NUMBERS			□ Add suffix for input range
CR5210(S)	▪	Single Element with ± 5 VDC output (split core design)	2 - 0-2 ADC
CR5211(S)	▪	Single Element with ± 10 VDC output (split core design)	5 - 0-5 ADC
CR5220(S)	▪	Single Element with 4 - 20 mADC output (split core design)	10 - 0-10 ADC
NOTE: DC Split Core Transducers Available in 20 Amps and Higher			20 - 0-20 ADC
NOTE: CR5200 Series is available with 12V Power Supply. Use same application as 24V Power Supply.			30 - 0-30 ADC
Example Part Number: CR5210-300-12V			50 - 0-50 ADC
			75 - 0-75 ADC
			100 - 0-100 ADC
			150 - 0-150 ADC
			300 - 0-300 ADC
			Ranges available up to and including 600 ADC

SPECIFICATIONS

Basic Accuracy:.....	1.0 %	MTBF:.....	Greater than 100 K hours
Linearity:.....	10% to 100% FS	Output Load:.....	4-20 mADC - 0 to 300 Ω
Thermal Drift:.....	500 PPM/°C		0-5 VDC - 2K Ω or Greater
Operating Temperature:.....	0°C to +50°C	Relative Humidity:.....	5% to 95%, Non-Condensing
Installation Category:.....	CAT II	Supply Current:	
Isolation Voltage:.....	3500KVRMS/1mA/1Sec	CR5210:.....	Typical 35mA Max 40mA
Vibration Tested To:.....	IEC 60068-2-6,1995	CR5210S:.....	Typical 30mA Max 35mA
Pollution Degree:.....	2	CR5220:.....	Typical 60mA Max 100mA
Response Time:	250 ms	CR5220S:.....	Typical 40mA Max 50mA
Altitude:.....	2000 meter max.	Torque Specs.:.....	3.0 inch lbs. (0.4Nm)
Insulation Voltage:.....	2500 VDC	Weight:.....	0.5 lbs.
Supply Voltage:.....	24 VDC ±10%		
Frequency Range:.....	DC Only		
Cleaning:.....	Water-dampened cloth		



OUTLINE DRAWING



CONNECTION DIAGRAM

NOTE: The building installation must have a switch or circuit-breaker that is in close proximity and within easy reach of the operator. The switch or circuit breaker shall be marked as the disconnecting device for the equipment.