

SUMMARY

Wires

Low	0
High	0
Coax	0
Triax	0
Quad	0
Fiber	0
Fluidic	1

Image is for illustrative purpose only

Download

[Request a quote](#)

[Catalog](#)

Series	C
Termination type	Female solder
IP rating	66
Cable Ø	0.00 - 0.00 mm
Matching parts	CFB.P15.GLA.C72GZ
Status	active
Alternative part	

TECHNICAL DETAILS

Mechanics

Shell Style/Model	*:
Keying	3 keys (alpha=0, gamma=60; Plug: male contacts; Receptacle: female contacts)
Housing Material	PSU (Polysulfone), gray
Cable Fixing	∅ 0 - 0 mm
Variant	
Weight	5.22 g

Performance

Configuration	2P.P15 : 1 Fluidic with valve, 10 Low V.
Insulator	
Rated Current	6 Amps

Specifications

Test voltage (kV rms) Contact-contact:	1.15
Air clearance min. (mm) or Creepage distance min. (mm):	0.9

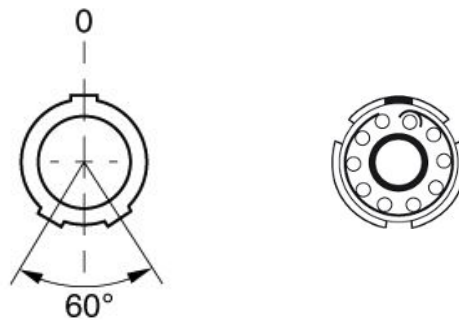
LEMO products and services are provided "as is". LEMO makes no warranties or representations with regard to LEMO product & services or use of them, express, implied or statutory, including for accuracy, completeness, or security. The user is fully responsible for his products and applications using LEMO components.

Others

IP Rating: 66

DRAWINGS

Draws



Dimensions

RECOMMENDED BY LEMO

Tools

None

Cables

LEMO products and services are provided "as is". LEMO makes no warranties or representations with regard to LEMO product & services or use of them, express, implied or statutory, including for accuracy, completeness, or security. The user is fully responsible for his products and applications using LEMO components.