

TUNING FORK CRYSTAL UNIT (SMD · Jacket Type)

RoHS compliant / Pb free

CMJ206T

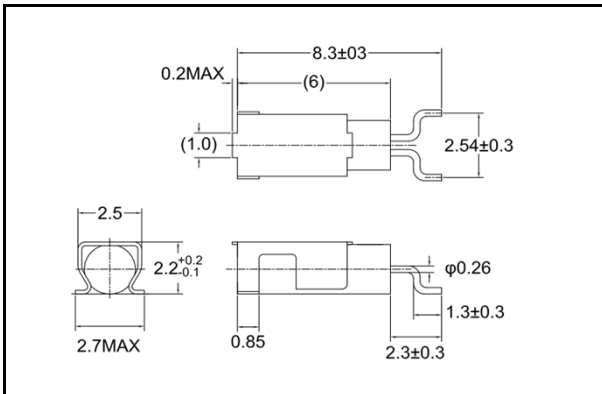
3,000pcs/reel



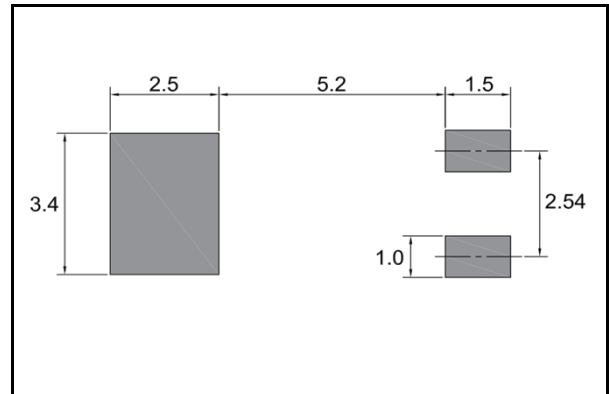
■ FEATURES

- Reflowable cylinder type
- Frequency range : 32.768kHz
- External dimensions (mm)
L : 8.6 x W : 2.7 x H : 2.4
- Applications
Smart Meters / Consumer products

■ DIMENSION [mm]



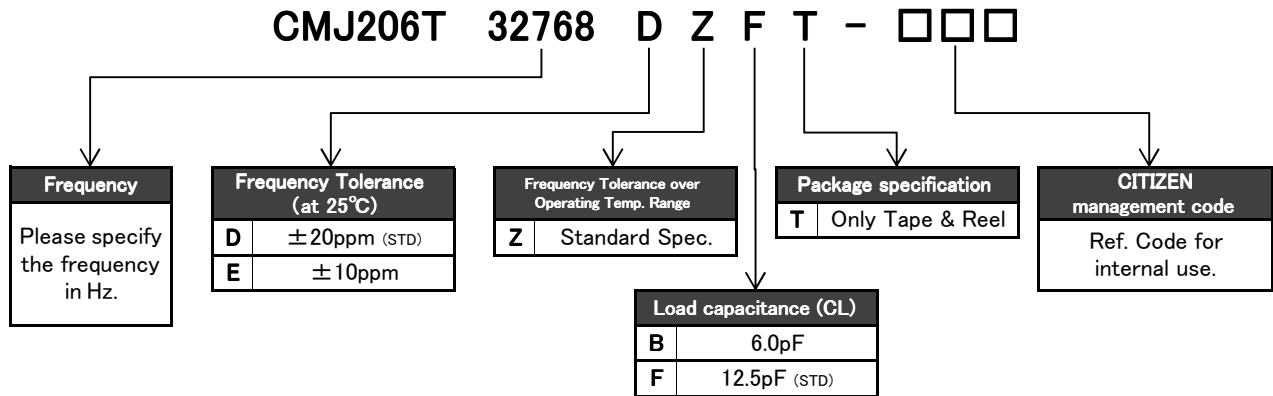
■ SOLDER PAD LAYOUT [mm]



■ STANDARD SPECIFICATIONS

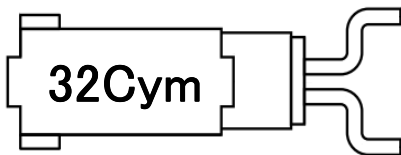
Item	Model	CMJ206T	Conditions
Nominal Frequency	f ₀	32.768kHz	
Frequency Tolerance	Δf/f ₀	±10ppm / ±20ppm	at 25°C
Load capacitance	C _L	6.0pF / 12.5pF	Please specify your requirement
Operating Temperature Range	T _{OPR}	-40°C ~ +85°C	
Storage Temperature Range	T _{STR}	-55°C ~ +125°C	
Turnover Temperature	T _M	25°C±5°C	
Temperature Coefficient	β	-0.034±0.006ppm/°C ²	
Motional (series) resistance	R _l	50K Ω Max.	at 25°C
Level of drive	D _L	1 μW Max.	
Aging (first year)	Δf/f ₀	±3ppm Max.	25°C±3°C
Shunt capacitance	C ₀	1.35pF Typ.	

■ PART NUMBERING SYSTEM



*Please contact us for specifications available.

■ Part Marking [standard]



32C : Manufacture's ID Code

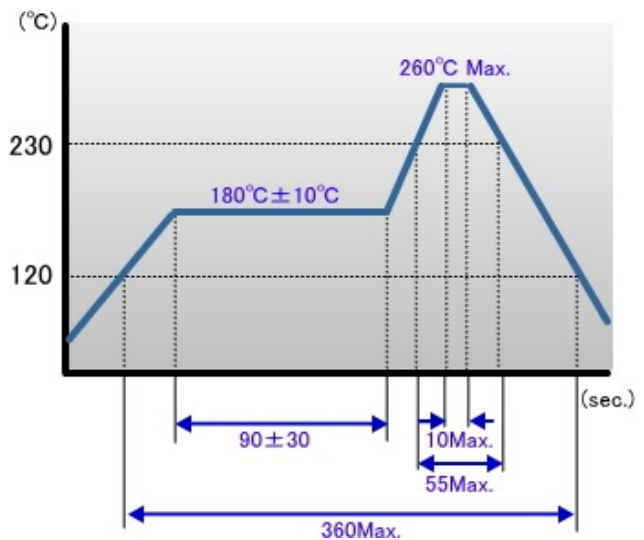
y : The last digit of production year

m : Production month (See Table.1)

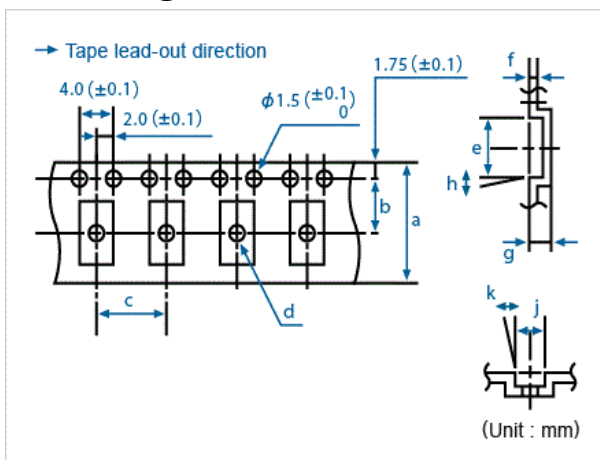
Table.1

Month	Jan	Feb	...	Sep	Oct	Nov	Dec
Code	1	2	...	9	X	Y	Z

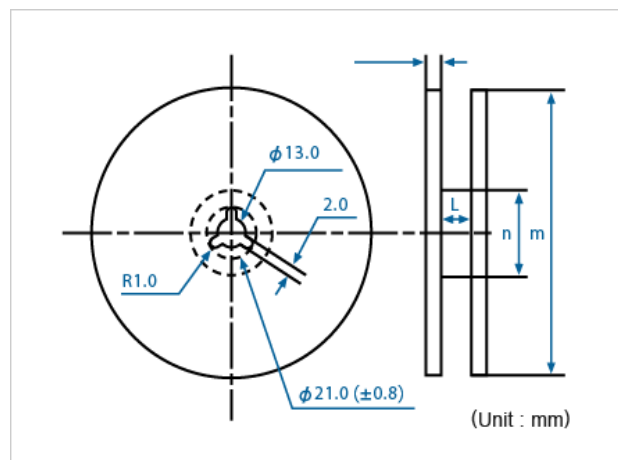
■ Reflow profile



■ Packing



Conforming to JIS C 0806 TB1208NEIAJ and RC-1009B TE1208N



Conforming to JIS C 0806 R12R and EIAJ RC-1009B R15

Q'ty/reel	a	b	c	d (φ)	e	f	g	h	j	k	l	m (φ)	n (φ)
3,000	16.0	9.2	8.0	-	9.5	0.3	2.1	-	3.0	5°	17.5	330	100

Rev.1