

## TUNING FORK CRYSTAL UNIT (SMD · Plastic Package)

RoHS compliant

# CM130

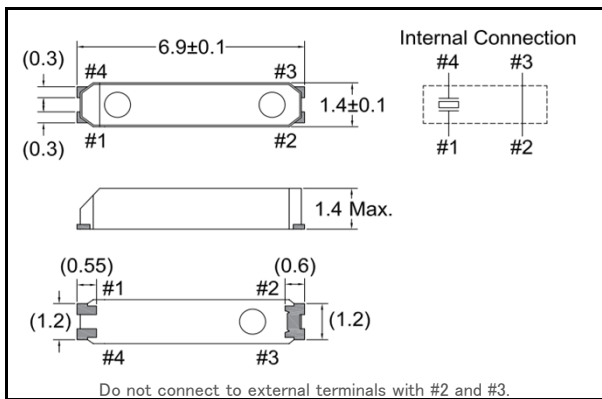
3,000pcs/reel



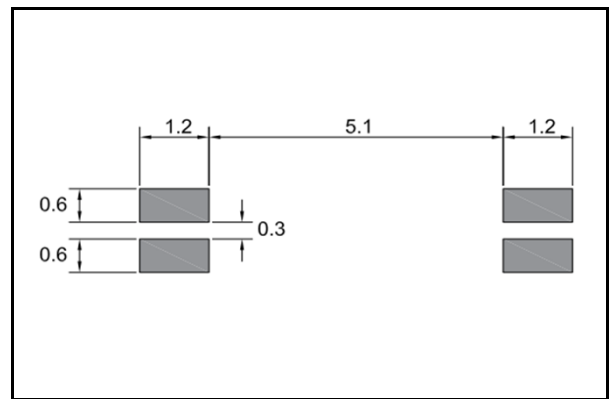
### FEATURES

- Frequency range : 32.768kHz
- External dimensions (mm)  
L : 7.0 x W : 1.5 x H : 1.4
- Applications  
Small mobile devices / Consumer products

### DIMENSION [mm]



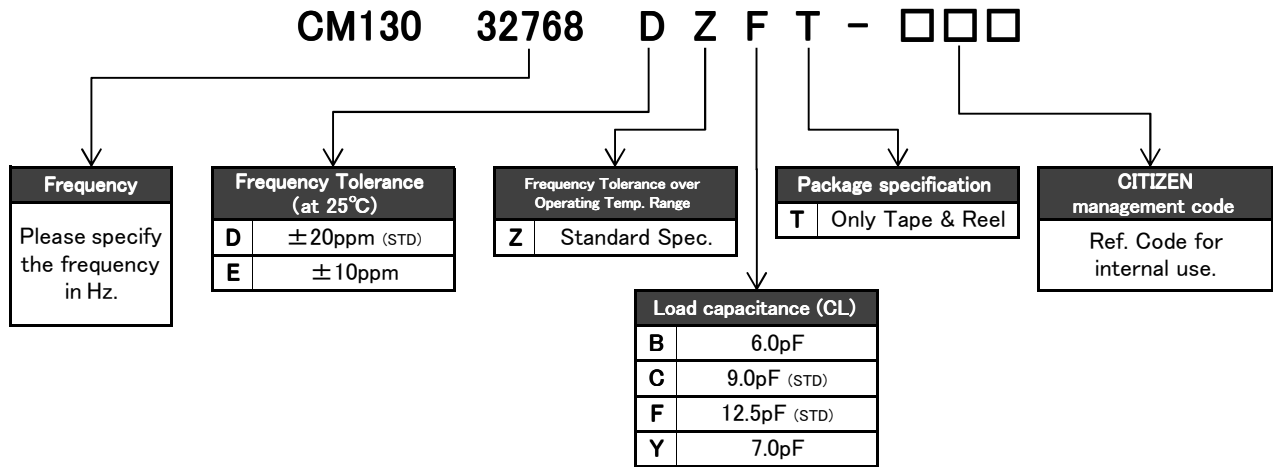
### SOLDER PAD LAYOUT [mm]



### STANDARD SPECIFICATIONS

Item	Model	CM130	Conditions
Nominal Frequency	$f_0$	32.768kHz	
Frequency Tolerance	$\Delta f/f_0$	$\pm 10\text{ppm} / \pm 20\text{ppm}$	at 25°C
Load capacitance	$C_L$	6.0pF / 7.0pF / 9.0pF / 12.5pF	Please specify your requirement
Operating Temperature Range	$T_{OPR}$	-40°C ~ +85°C	
Storage Temperature Range	$T_{STR}$	-55°C ~ +125°C	
Turnover Temperature	$T_M$	25°C±5°C	
Temperature Coefficient	$\beta$	-0.04ppm/°C <sup>2</sup> Max.	
Motional (series) resistance	$R_1$	65KΩ Max.	at 25°C
Level of drive	$D_L$	1.0 μW Max.	
Aging (first year)	$\Delta f/f_0$	±3ppm Max.	25°C±3°C
Shunt capacitance	$C_0$	0.8pF Typ.	

## ■ PART NUMBERING SYSTEM



\*Please contact us for specifications available.

## ■ Part Marking [standard]



32C : Manufacture's ID Code

y : The last digit of production year

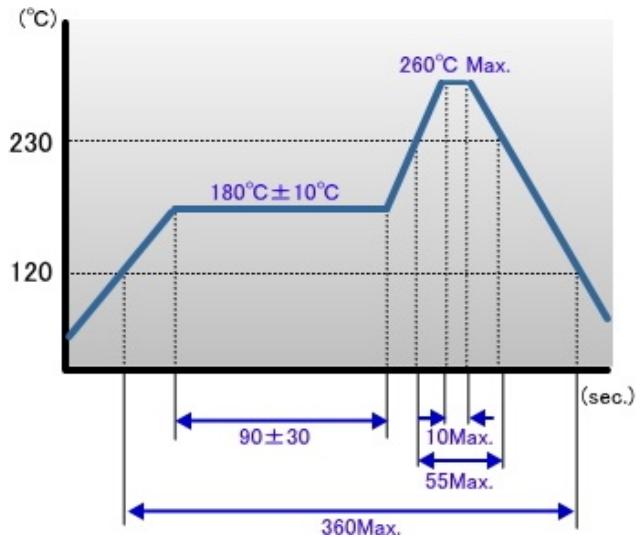
m : Production month (See Table.1)

\* : CL Code    B: 6.0pF  
                   C: 9.0pF  
                   Y: 7.0pF  
                   Φ: 12.5pF

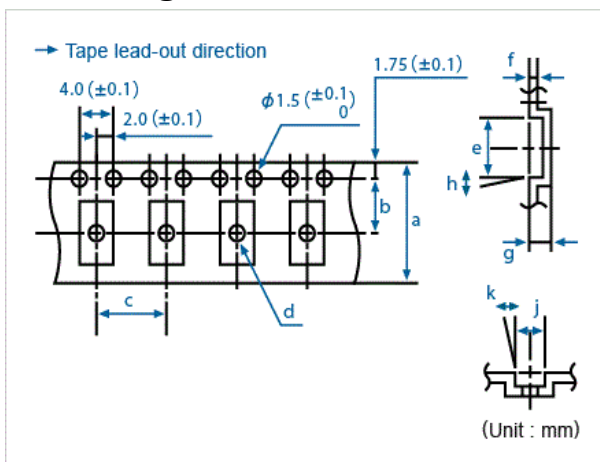
Table.1

Month	Jan	Feb	...	Sep	Oct	Nov	Dec
Code	1	2	...	9	X	Y	Z

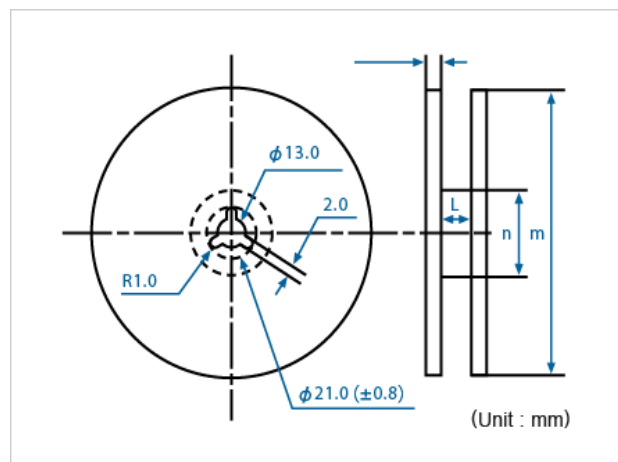
## ■ Reflow profile



## ■ Packing



Conforming to JIS C 0806 TB1208NEIAJ and RC-1009B TE1208N



Conforming to JIS C 0806 R12R and EIAJ RC-1009B R15

Q'ty/reel	a	b	c	d (φ)	e	f	g	h	j	k	l	m (φ)	n (φ)
3,000	16.0	7.5	4.0	1.0	7.2	0.3	1.4	5°	1.55	5°	17.0	180	50

Rev.1