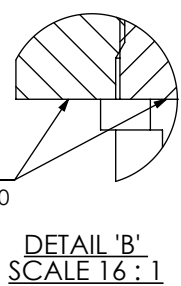
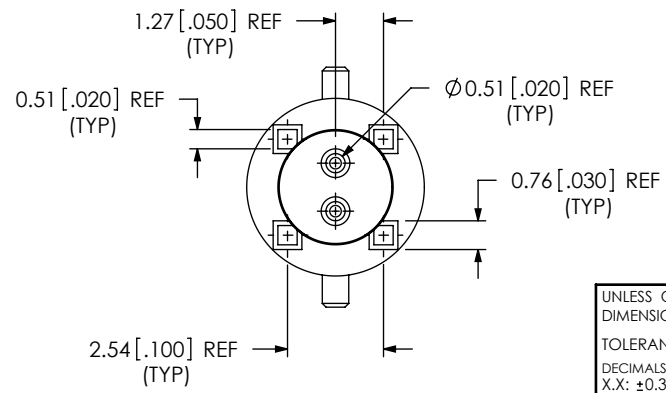
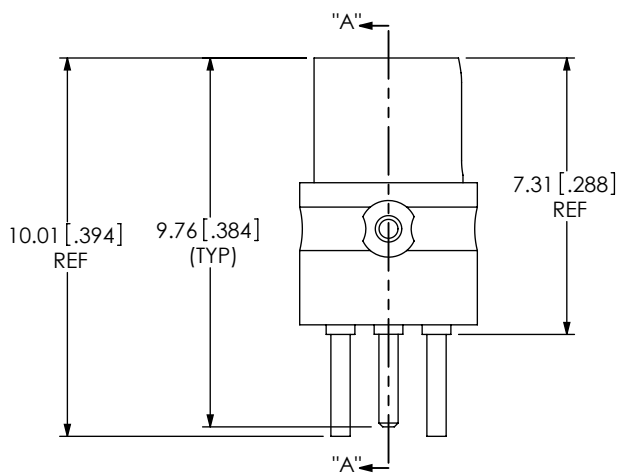
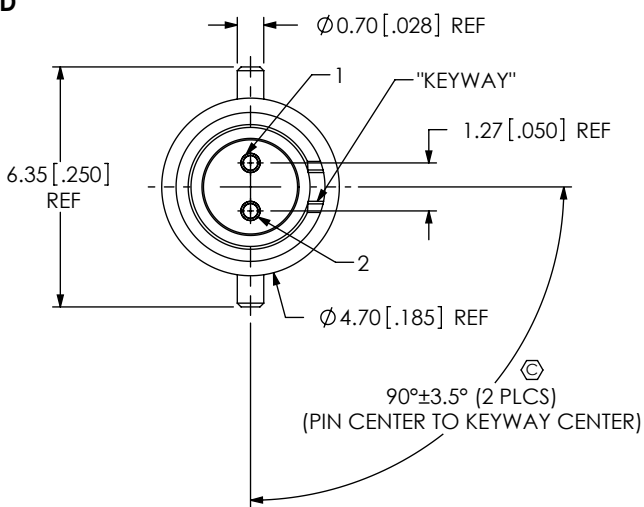


DO NOT
SCALE FROM
THIS PRINT



POSITION INSULATOR
FLUSH TO BODY +/-0.10

- NOTES:
- ⊕ REPRESENTS A CRITICAL DIMENSION.
 - MINIMUM PUSHOUT FORCE FOR CENTER CONTACT: 7 N [1.57 LB].
INSULATOR: 20 N [4.5 LB].
 - PRODUCT TO BE PACKAGED PER PACKAGING STANDARD CO-HD-WI-3040-M.
TRAY: TY-SMA001-1,
COVER: TY-SMA001-2.

CJT-T-P-XX-ST-TH1

INTERFACE
-J: JACK

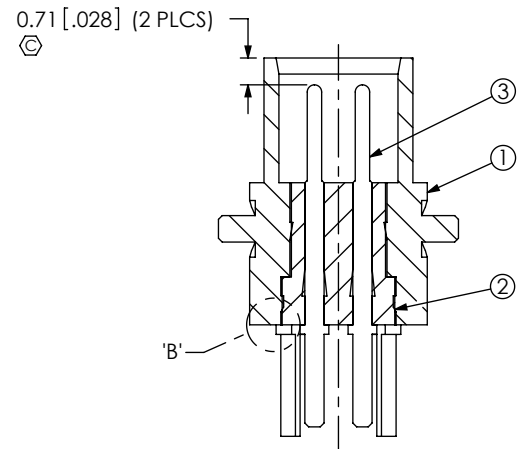
GENDER
-T: TERMINAL

TYPE
-P: PCB

TERMINATION
-TH1: THROUGH HOLE

ORIENTATION
-ST: STRAIGHT

PLATING SPECIFICATION
-HH: HEAVY GOLD / HEAVY GOLD
30μ" Au / 50μ" Ni MIN ON PIN
30μ" Au / 50μ" Ni MIN ON OUTER CONTACT
-GF: GOLD / FLASH GOLD
10μ" Au / 50μ" Ni MIN ON PIN
3μ" Au / 50μ" Ni MIN ON OUTER CONTACT
(SEE TABLE 1)



SECTION "A"- "A"

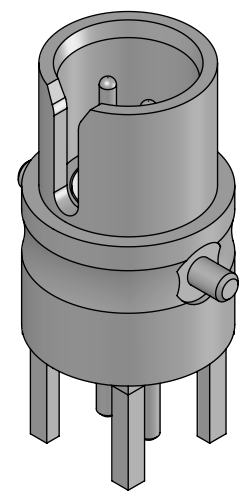


TABLE 1

ITEM	COMPONENT	-HH	-GF	QTY
1	SHELL	CJT-T-P-H-ST-TH1-SHL	CJT-T-P-F-ST-TH1-SHL	1
2	INSULATOR	CJT-INS-001		1
3	CONTACT	CJT-T-P-H-ST-TH1-PIN	CJT-T-P-G-ST-TH1-PIN	2

UNLESS OTHERWISE SPECIFIED,
DIMENSIONS ARE IN MILLIMETERS.

TOLERANCES ARE:
DECIMALS ANGLES
X.X: ±0.3 [01] 5°
X.XX: ±0.13 [005]
X.XXX: ±0.051 [0020]

PROPRIETARY NOTE
* THIS DOCUMENT CONTAINS CONFIDENTIAL AND PROPRIETARY INFORMATION AND ALL DESIGN, MANUFACTURING, REPRODUCTION, USE, PATENT RIGHTS AND SALES RIGHTS ARE EXPRESSLY RESERVED BY SAMTEC, INC. THIS DOCUMENT SHALL NOT BE DISCLOSED, IN WHOLE OR PART, TO ANY UNAUTHORIZED PERSON OR ENTITY NOR REPRODUCED, TRANSFERRED OR INCORPORATED IN ANY OTHER PROJECT IN ANY MANNER WITHOUT THE EXPRESS WRITTEN CONSENT OF SAMTEC, INC.

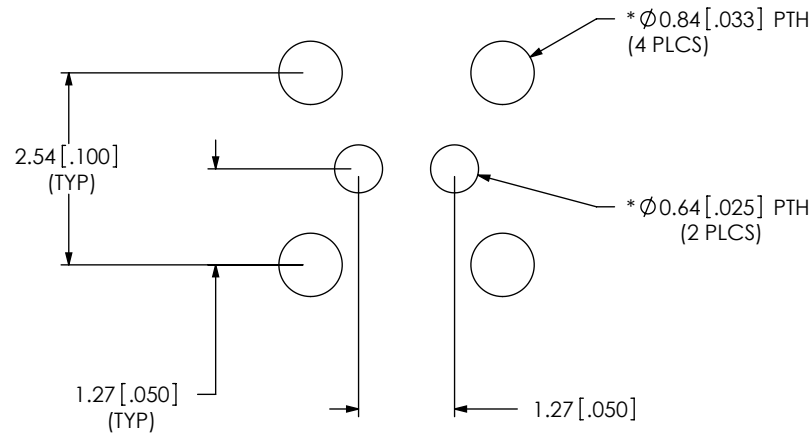
MATERIAL: DO NOT SCALE DRAWING SHEET SCALE: 5:1
CONTACT: PHOS BRONZE
OTHER METAL: BRASS
DIELECTRIC: PTFE



520 PARK EAST BLVD, NEW ALBANY, IN 47150
PHONE: 812-944-6733 FAX: 812-948-5047
e-Mail: info@SAMTEC.com code 55322

DESCRIPTION:
STRAIGHT CIRCULAR JACK TWINAX
DWG. NO.
CJT-T-P-XX-ST-TH1
BY: ALVIN W 12/03/2010 SHEET 1 OF 2

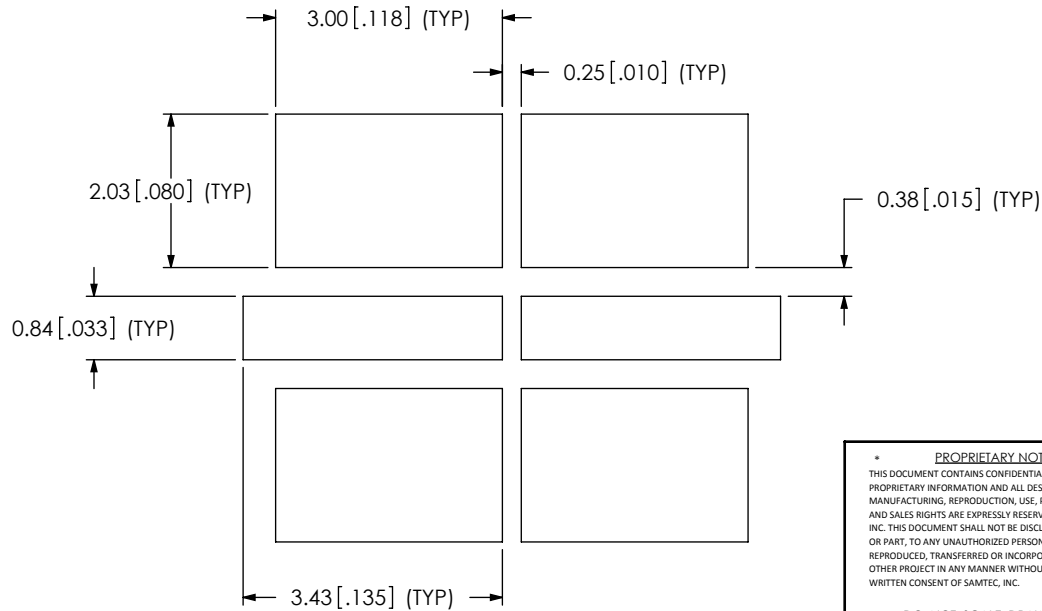
RECOMMENDED PCB LAYOUT



* TO BE SOLDERED USING PASTE-IN-HOLE TECHNOLOGY.

RECOMMENDED STENCIL LAYOUT

NOTE: STENCIL TO BE .152 [.0060] THICK



PROPRIETARY NOTE
 THIS DOCUMENT CONTAINS CONFIDENTIAL AND PROPRIETARY INFORMATION AND ALL DESIGN, MANUFACTURING, REPRODUCTION, USE, PATENT RIGHTS AND SALES RIGHTS ARE EXPRESSLY RESERVED BY SAMTEC, INC. THIS DOCUMENT SHALL NOT BE DISCLOSED, IN WHOLE OR PART, TO ANY UNAUTHORIZED PERSON OR ENTITY NOR REPRODUCED, TRANSFERRED OR INCORPORATED IN ANY OTHER PROJECT IN ANY MANNER WITHOUT THE EXPRESS WRITTEN CONSENT OF SAMTEC, INC.

DO NOT SCALE DRAWING

SHEET SCALE: 10:1



520 PARK EAST BLVD. NEW ALBANY, IN 47150
 PHONE: 812-944-6733 FAX: 812-948-5047
 e-Mail info@SAMTEC.com code 55322

DESCRIPTION:
 STRAIGHT CIRCULAR JACK TWINAX

DWG. NO.
 CJT-T-P-XX-ST-TH1

BY: ALVIN W 12/03/2010 SHEET 2 OF 2