

# CG Series Single Pole Power Rocker Switches

## Features/Benefits

- Bevelled frame
- Illuminated versions available
- Easy panel mount installation

## Typical Applications

- Computers and peripherals
- Small appliances
- Instrument panels
- Industrial controls
- RoHS compliant



**UL** **US UL 61058-1**

## Specifications

**CONTACT RATING:**  
 16 AMPS @ 125 VAC, 10 AMPS @ 250 VAC.  
 10 AMPS @ 250 VAC, 6 AMPS @ 250 VAC.  
**ELECTRICAL LIFE:** 10,000 make and break cycles at full load.  
**INSULATION RESISTANCE:**  $10^8 \Omega$  min.  
**DIELECTRIC STRENGTH:** 1,500 VRMS @ sea level.  
**OPERATING TEMPERATURE:** -20°C to +85°C

## Materials

**HOUSING AND ACTUATOR:** 6/6 nylon (UL94V-2), black, matte finish.  
**ILLUMINATED ACTUATOR:** Polycarbonate, matte finish.  
**CENTER CONTACTS:** Silver plated, copper alloy.  
**END CONTACTS:** Silver plated.  
**ALL TERMINALS:** Silver plated, copper alloy.

**NOTE:** Specifications and materials listed above are for switches with standard options. For information on specific and custom switches, consult Customer Service Center.

## Build-A-Switch

To order, simply select desired option from each category and place in the appropriate box. Available options are shown and described on pages G-87 through G-89. For additional options not shown in catalog, consult Customer Service Center.

|   |  |
|---|--|
|   |  |
| <b>Switch Function</b><br><b>CG101</b> SPDT On-None-On<br><b>CG102</b> SPST On-None-Off<br><b>CG103</b> SPDT On-Off-On<br><b>CG105</b> SPDT Mom-Off-Mom<br><b>CG12 *</b> SPST On-None-Off |  |
| <b>Actuator</b><br><b>J1</b> Rocker<br><b>J2 **</b> Two-tone rocker<br><b>J3</b> Illuminated rocker   | <b>Actuator Color</b><br><b>2</b> Black<br><b>1</b> White<br><b>3</b> Red<br><b>R</b> Red, illuminated<br><b>A</b> Amber, illuminated<br><b>G</b> Green, illuminated |
|   | <b>Mounting Style/Color</b><br><b>S2</b> Snap-in, black<br><b>S1</b> Snap-in, white  |
|   | <b>Termination</b><br><b>05</b> .250" quick connect  |
| <b>Actuator Marking</b><br><b>(NONE)</b> No marking<br><b>D</b> ON-OFF<br><b>H</b> "O I" - international ON-OFF<br><b>P</b> "O -" international ON-OFF                                    | <b>Contact Rating</b><br><b>QF</b> Silver  |
|   | <b>Lamp Rating</b><br><b>(NONE)</b> No lamp<br><b>7</b> 125 VAC neon<br><b>8</b> 250 VAC neon  |

\* CG12 — for switches with both marking and illumination

\*\* J2 — refer to table on next page for actuator options

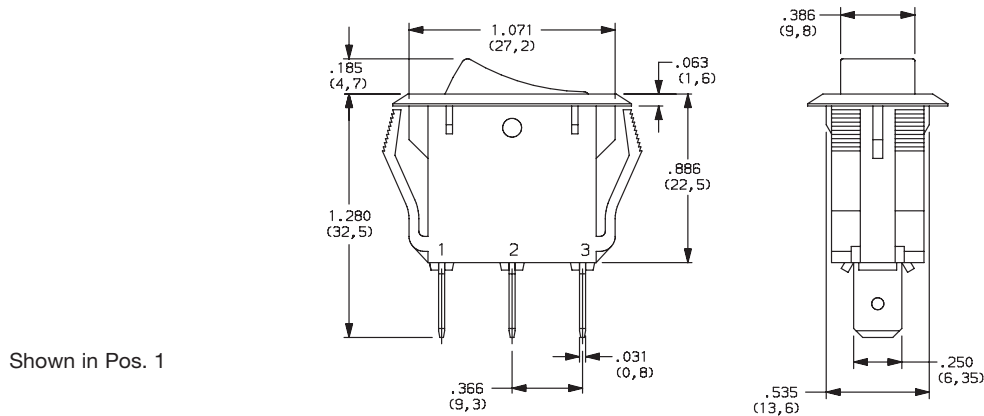
# CG Series Single Pole Power Rocker Switches

## SWITCH FUNCTION

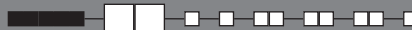


| NO. POLES | MODEL NO.     | SWITCH FUNCTION              |        |        | CONNECTED TERMINALS          |        |        | SCHEMATIC                             |
|-----------|---------------|------------------------------|--------|--------|------------------------------|--------|--------|---------------------------------------|
|           |               | Pos. 1                       | Pos. 2 | Pos. 3 | Pos. 1                       | Pos. 2 | Pos. 3 |                                       |
|           |               |                              |        |        |                              |        |        |                                       |
|           |               | C&K marking on opposite side |        |        | C&K marking on opposite side |        |        |                                       |
| SP        | <b>CG101</b>  | ON                           | NONE   | ON     | 1-2                          |        | 2-3    |                                       |
|           | <b>CG102</b>  | ON                           | NONE   | OFF    | 1-2                          | N/A    | OPEN   | <br>OR<br><br>For Illuminated Version |
|           | <b>CG103</b>  | ON                           | OFF    | ON     | 1-2                          | OPEN   | 2-3    |                                       |
|           | <b>CG105</b>  | MOM                          | OFF    | MOM    | 1-2                          | OPEN   | 2-3    |                                       |
|           | <b>CG12 *</b> | ON                           | NONE   | OFF    | 1-2                          | N/A    | OPEN   |                                       |

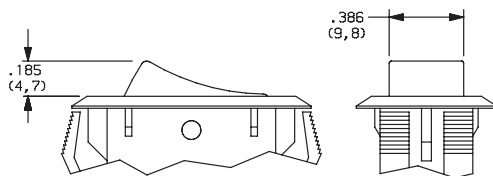
\* CG12 - for switches with both marking and illumination



## ACTUATOR

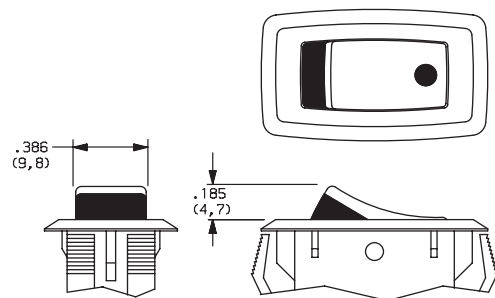


- J1** ROCKER
- J3** ILLUMINATED ROCKER



NOTE: J3 actuator available with CG102 switch function only.

- J2** TWO-TONE ROCKER



NOTE: Available with CG102 switch function only.



Third Angle Projection

Dimensions are shown: Inches (mm)  
Specifications and dimensions subject to change



# CG Series Single Pole Power Rocker Switches

## ACTUATOR COLOR



| ACTUATOR  | OPTION CODE | ACTUATOR COLOR     |
|-----------|-------------|--------------------|
| <b>J1</b> | <b>2</b>    | BLACK              |
|           | <b>1</b>    | WHITE              |
|           | <b>3</b>    | RED                |
| <b>J3</b> | <b>R</b>    | RED, ILLUMINATED   |
|           | <b>A</b>    | AMBER, ILLUMINATED |
|           | <b>G</b>    | GREEN, ILLUMINATED |

| OPTION CODE | ACTUATOR COLOR |        |
|-------------|----------------|--------|
|             | TOP            | BOTTOM |
| <b>1</b>    | WHITE          | RED    |
| <b>2</b>    | WHITE          | BLACK  |
| <b>3</b>    | RED            | WHITE  |
| <b>4</b>    | BLACK          | WHITE  |
| <b>5</b>    | BLACK          | RED    |

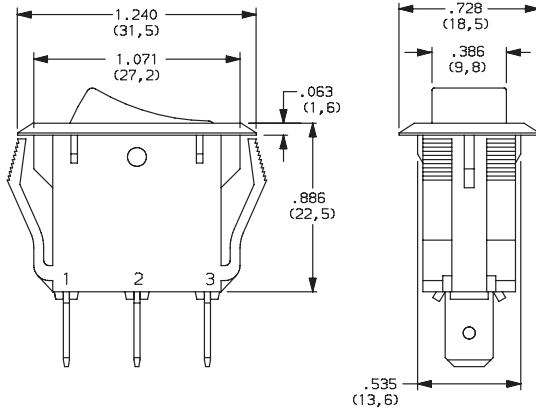
J2 actuator only

## MOUNTING STYLE/COLOR



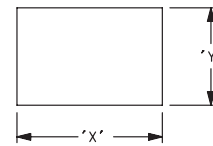
**S2** SNAP-IN, BLACK

**S1** SNAP-IN, WHITE



Shown in Pos. 1

### PANEL MOUNTING

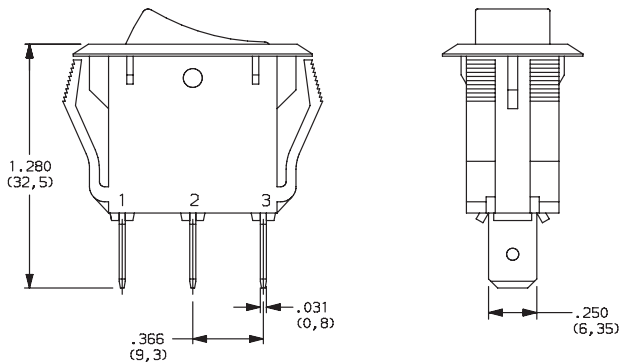


| PANEL THICKNESS         | "X"                   | "Y"                   |
|-------------------------|-----------------------|-----------------------|
| 0.030-0.049 (0,75-1,25) | 1.087-.004 (27,6-0,1) | 0.543+.004 (13,8+0,1) |
| 0.049-0.079 (1,25-2,0)  | 1.094-.004 (27,8-0,1) | 0.543+.004 (13,8+0,1) |
| 0.079-0.118 (2,0-3,0)   | 1.102-.004 (28,0-0,1) | 0.543+.004 (13,8+0,1) |

## TERMINATION



**05** .250" QUICK CONNECT



Shown in Pos. 1



# CG Series Single Pole Power Rocker Switches

## ACTUATOR MARKING



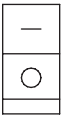
**NONE** NO MARKING



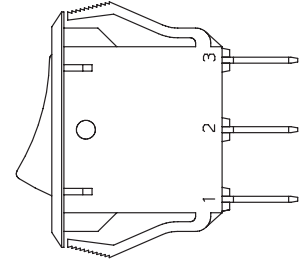
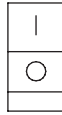
**D** ON-OFF



**H** 01



**P** 0-



**NOTE:** Orientation of actuator marking and terminals.

Shown in Pos. 1

## CONTACT MATERIAL



| OPTION CODE | CONTACT AND TERMINAL MATERIAL | RATINGS |   |
|-------------|-------------------------------|---------|---|
| <b>QF</b>   | SILVER                        | POWER   | 16 AMPS @ 125 VAC; 10 AMPS @ 250 VAC<br>10 AMPS @ 250 VAC |

\* Note: See Technical Data section of this catalog for RoHS compliant and compatible definitions and specifications.



## LAMP RATING



**(NONE)** NO LAMP

**7** 125 VAC 33kΩ NEON

**8** 250 VAC 150kΩ NEON

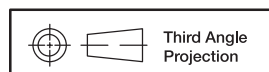
**NOTE:** Lamp rating for J3 actuator option.

Rocker



G

**C&K**



Dimensions are shown: Inches (mm)  
Specifications and dimensions subject to change