



Ordering number C12868_FLARE-MAXI

Family	Flare	FWHM	100+23 degrees
Type	Lens	Efficiency	94 %
LED	LUXEON M	cd/lm	1.400
Color	Clear	Gerber File	Available
Diameter	33.9 + 33.3 mm		
Height	16.7 mm		
Style	Rectangular		
Optic Material	PMMA		
Holder Material	-		
Fastening	Pin, glue		
Status	Ready		

NOTE: The typical divergence will be changed by different color, chip size and chip position tolerance. The typical total divergence is the full angle measured where the luminous intensity is half of the peak value.



PRODUCT DATASHEET Flare series

last update 20/9/2012



GENERAL INFORMATION

- Product series especially designed & optimized for LUXEON M series of LEDs.
- Special care taken to make light distribution as uniform as possible.
- Lens material optical grade PMMA with high UV and temperature resistance (105 degrees of Celcius / 220 degrees of Fahrenheit). Allows use of high current and temperature conditions.

Please find more information about used material from below:

http://ledil.fi/sites/default/files/Documents/Technical/Material/PMMA%20N%20UL94_Yellow%20Card.pdf

<http://ledil.fi/sites/default/files/Documents/Technical/Material/PMMA%20N%20PLEXIGLAS-Datasheet.pdf>

- Fastening to PCB with appropriate adhesive. By clicking link below you can find Ledil recommended glue options.

http://www.ledil.com/datasheets/DataSheet_GLUES.pdf

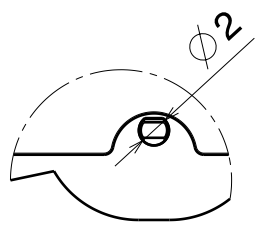
NOTE 1: We advise customer to ensure the suitability and sufficiency of the bond in the end product. For example, mechanical stress, vibration and holes on the surface of the circuit board weaken the strength of the glue.

NOTE 2: All surfaces where glue is applied must be clean, dry and free from grease and dirt. If cleaning of PCB surfaces is needed, please follow strictly the cleaning instructions of your LED manufacturer -this is important as cleaning shall under no circumstances damage LEDs or other electronics components on the PCB.

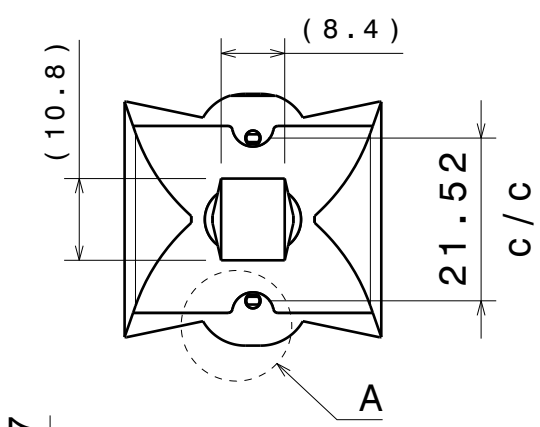
Further note that optical components shall not be cleaned with any chemicals - only micro fiber cloth may be used to remove fingerprints or other traces from handling.

D C B A

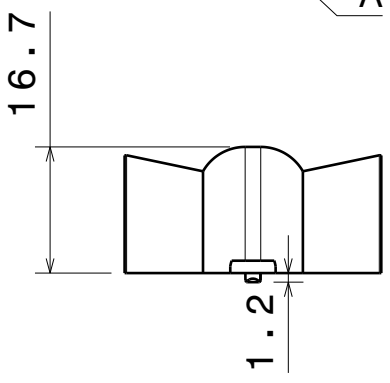
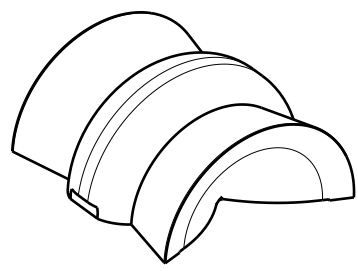
4



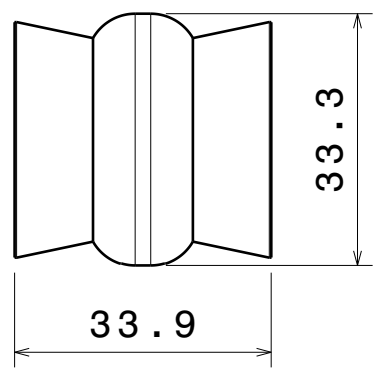
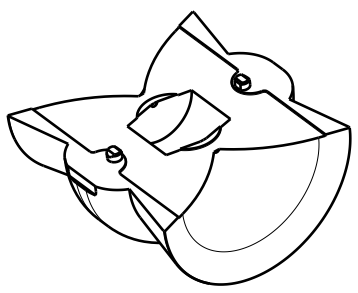
Detail A
Scale: 2:1



3



2



Material: PMMA

Tolerances for dimensions:
 0-20mm tolerance value $\pm 0.1\text{mm}$
 21-45mm tolerance value $\pm 0.2\text{mm}$
 46-90mm tolerance value $\pm 0.3\text{mm}$
 91-100mm tolerance value $\pm 0.4\text{mm}$
 101-mm tolerance value $\pm 0.5\text{mm}$

4

3

2

This drawing is our property. It can't be reproduced or communicated without our written agreement.



Ledil Oy
 Salorankatu 10
 FIN 24240 SALO
 Finland

DRAWING TITLE
 Datasheet FLARE-MAXI Lens

DRAWN BY pv	DATE 18.4.2012
CHECKED BY sn	DATE 17.4.2012
DESIGNED BY hh	DATE 6.4.2012

SIZE A4	DRAWING NUMBER C12868	REV 1
SCALE 1:1	WEIGHT (g)	SHEET 1/1

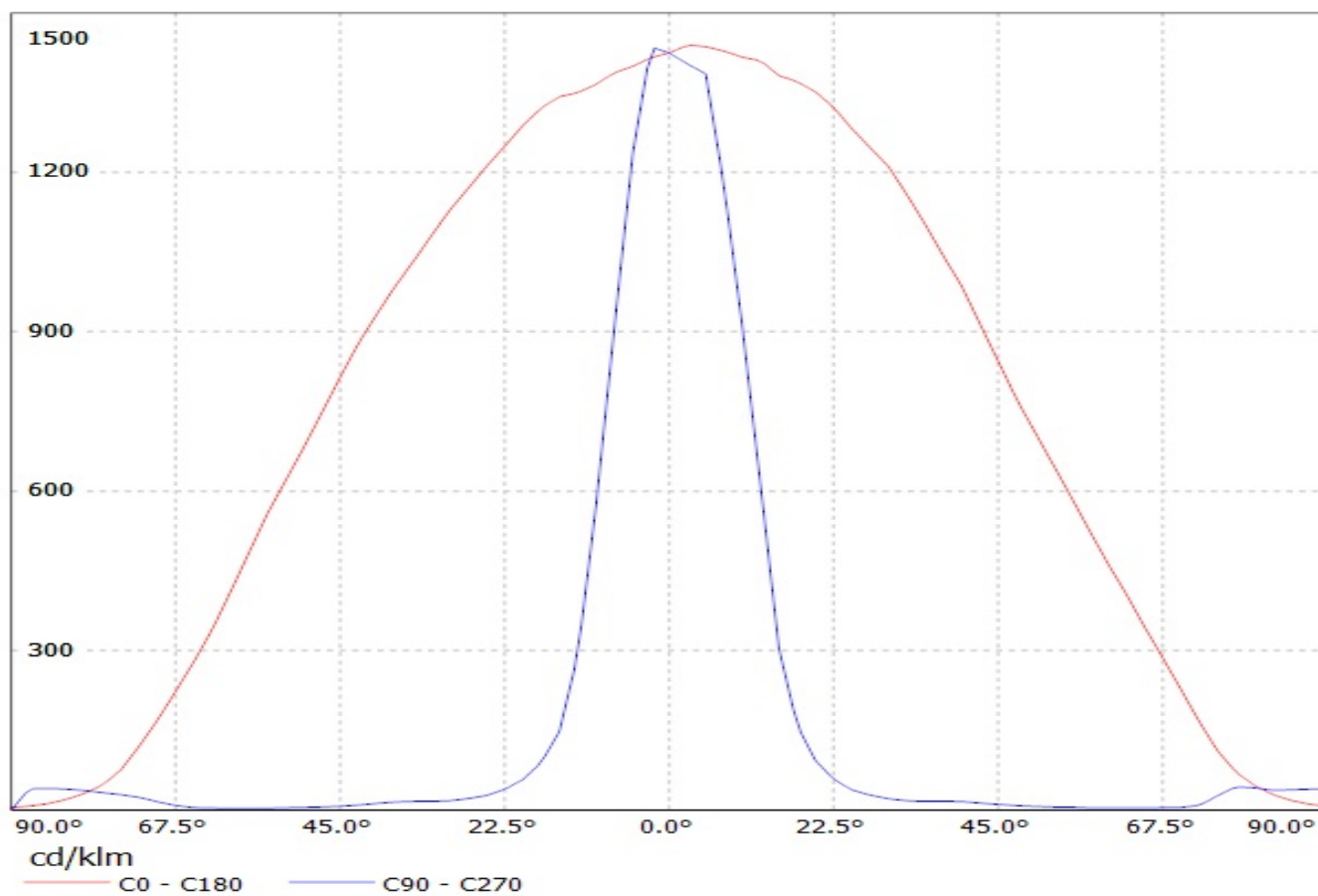
1

1

D

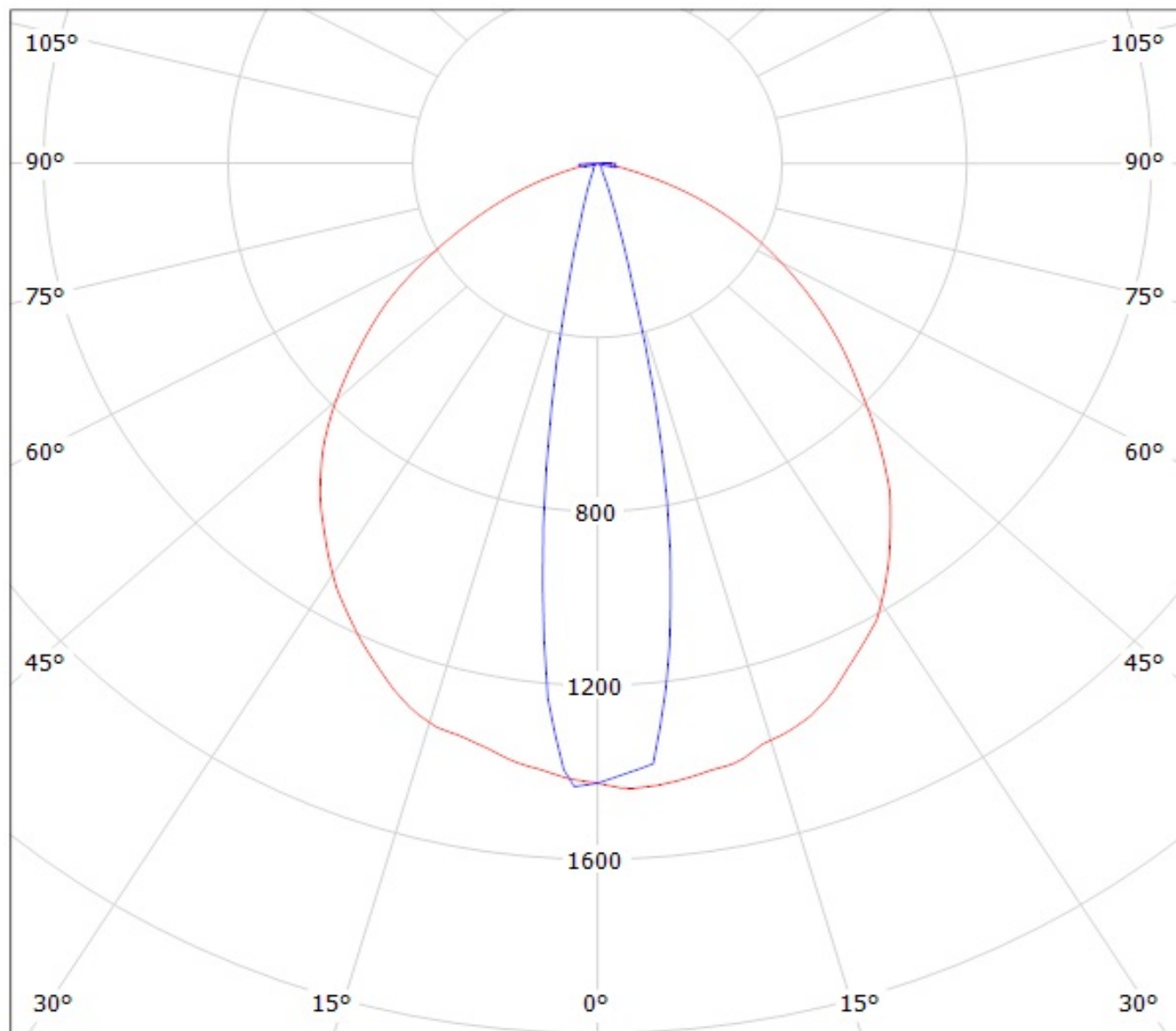
A

Luminaire: Ledil Oy C12868_FLARE-MAXI (Luxeon M 361lm @ 250mA) Efficiency=94%
Lamps: 1 x Luxeon M 361lm @ 250mA



Luminaire: Ledil Oy C12868_FLARE-MAXI (Luxeon M 361lm @ 250mA) Efficiency=94%

Lamps: 1 x Luxeon M 361lm @ 250mA



cd/klm

— C0 - C180 — C90 - C270