

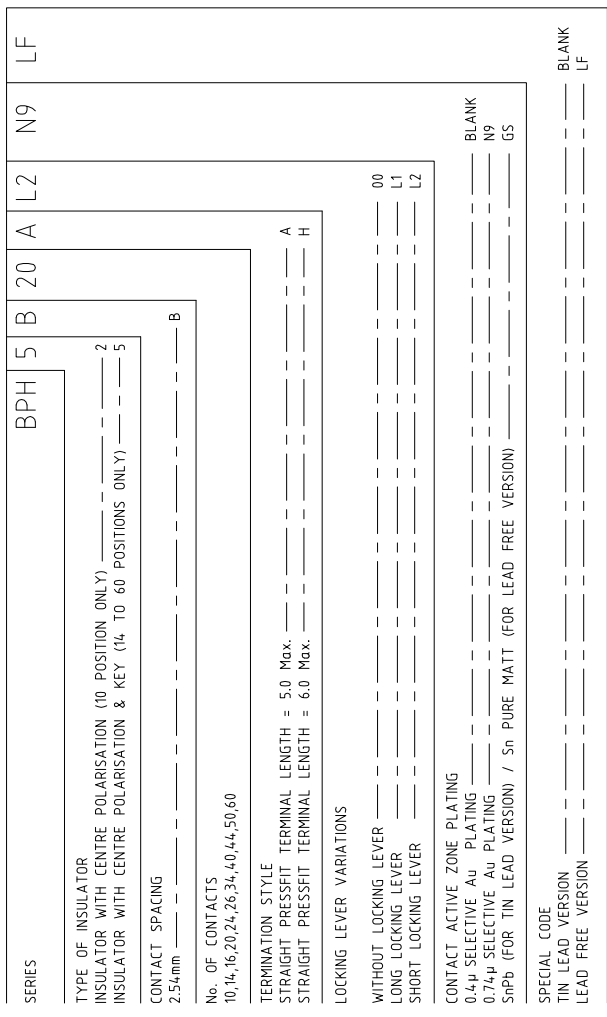
DIMENSION	LOCKING LEVER	
	L1	L2
W	2.5	7.3
X	14.55	10.90
Y	27.40	23.75
Z max.	10.5	7.0

TECHNICAL SPECIFICATION

- HOUSING MATERIAL : GLASS REINFORCED THERMOPLASTIC UL94V0; GREY
- CONTACT MATERIAL : COPPER ALLOY
- CONTACT PLATING : FOR CODE "GS" TIN LEAD VERSION - SnPb OVER NI
FOR CODE "GS" LEAD FREE VERSION - Sn (PURE MATT) OVER NI
FOR ALL OTHER CODES - Au OVER Ni
- ACTIVE ZONE : SnPb OVER Ni FOR TIN LEAD VERSION
Sn (PURE MATT) OVER Ni FOR LEAD FREE VERSION
- CURRENT RATING : 15A AT 20°C
- INSULATION RESISTANCE : ≥ 1000MΩ AT 500V
- CONTACT RESISTANCE : ≤ 15mΩ
- CONTACT RETENTION : 15N Min.
- DIELECTRIC WITHSTANDING VOLTAGE : 1000Vrms
- OPERATING TEMPERATURE : -55°C TO +125°C
- REFERENCE SPECIFICATION : IEC 603-13 / DIN 41651

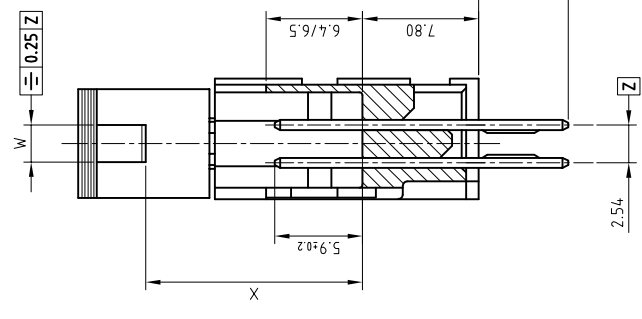
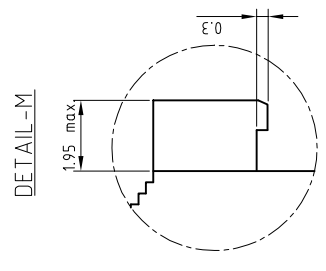
NOTES

- RIGHT POLARISATION IS NOT PROVIDED FOR 10 POSITION.
- LEFT POLARISATION IS NOT PROVIDED FOR 10 & 14 POSITIONS.
- POLARISING KEYS : 8613-4102 OR 8613-4104

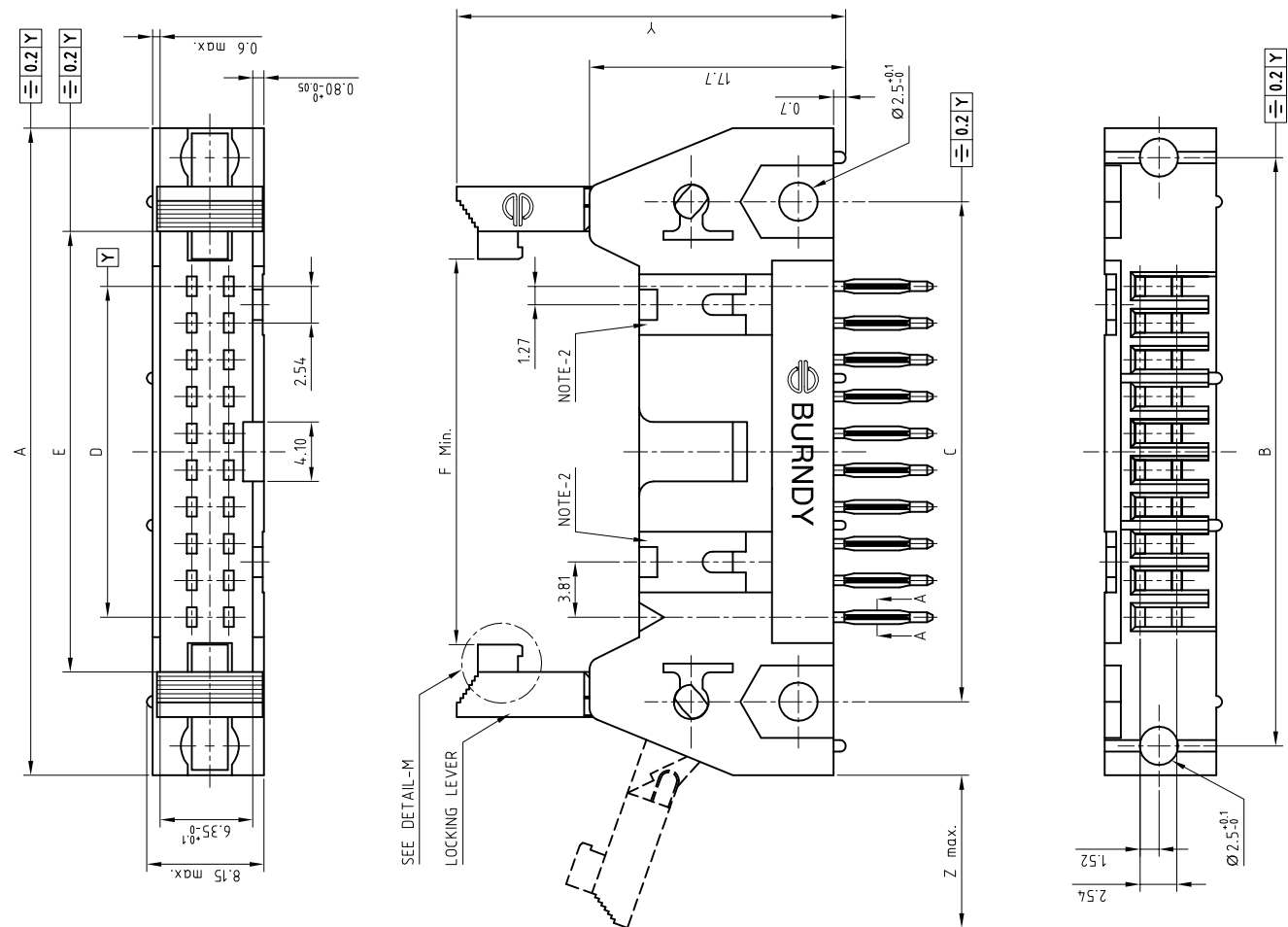


NOTES:

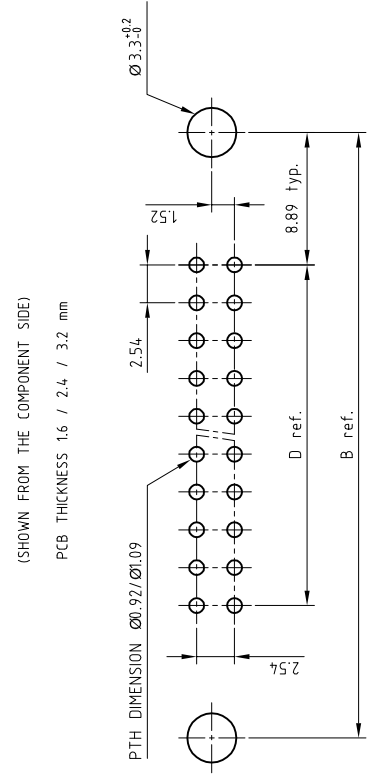
- THE "LF" PRODUCTS MEET EUROPEAN UNION DIRECTIVES AND OTHER COUNTRY REGULATIONS AS DESCRIBED IN GS-22-008.
- LEAD FREE OR ROHS DIRECTIVE LABELING TO BE PROVIDED AS PER GS-14-920 FOR LEAD FREE VERSION.



SECTION A-A



RECOMMENDED PCB HOLE CONFIGURATION



No. OF POSITION	A	B	C	D	E	F Min.
10	32.00	27.94	21.84	10.16	17.78	13.84
14	37.08	33.02	26.92	15.24	22.86	18.92
16	39.62	35.56	29.46	17.78	25.40	21.46
20	44.70	40.64	34.54	22.86	30.48	26.54
24	49.78	45.72	39.62	27.94	35.56	31.62
26	52.32	48.26	42.16	30.48	38.10	34.16
34	62.48	58.42	52.32	40.64	48.26	44.32
40	70.10	66.04	59.94	48.26	55.88	51.94
44	75.18	71.12	65.02	53.34	60.96	57.02
50	82.80	78.74	72.64	60.96	68.58	64.64
60	95.50	91.44	85.34	73.66	81.28	77.34

Copyright FCI



mat'l. code		surface		tolerance		projection		product family	
itr	ecn no	ISO 1302	ISO 406	ISO 1101	ISO 1101	mm	mm	title	scale
B	106-0066	linear	linear	linear	.0±.1	mm	2:1	BPH	BPH PRESSFIT PIN HEADER WITH OR WITHOUT LOCKING LEVERS
C	107-0142								
D	110-0062								
E	111-0084								
SEE TECH. SPEC.		tolerances unless otherwise specified		tolerances unless otherwise specified		scale 2:1		BPH	
date		date		date		date		dwg no	
2006-06-01		2007-10-23		2010-02-26		2011-05-09		sheet 1 of 1 size	
2007-10-23		2007-10-23		2007-10-23		2007-10-23		C-8613-0026	
2010-02-26		2010-02-26		2010-02-26		2010-02-26		A3	
2011-05-09		2011-05-09		2011-05-09		2011-05-09		Product Customer Drawing	
engr		engr		engr		engr		type	
KESAVANR		KESAVANR		KESAVANR		KESAVANR		type	
chr		chr		chr		chr		type	
RAKHEE GEORGE		RAKHEE GEORGE		RAKHEE GEORGE		RAKHEE GEORGE		type	
appd		appd		appd		appd		type	
revision		revision		revision		revision		type	
sheet		sheet		sheet		sheet		type	
index		index		index		index		type	
E		E		E		E		type	
1		1		1		1		type	
sheet		sheet		sheet		sheet		type	
index		index		index		index		type	