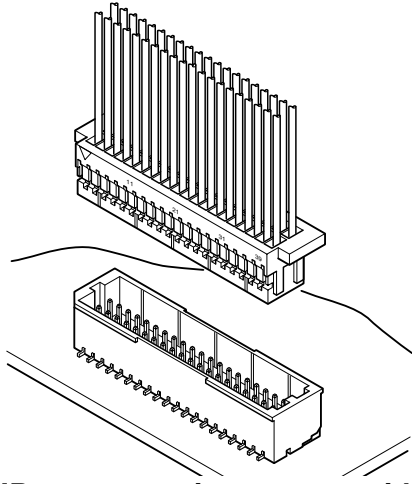




SHD CONNECTOR

1.0mm pitch/Disconnectable Crimp style connectors



The SHD connector is compact with a mounting height of 6.3mm for top entry type and 5.5mm for side entry type, and a width of 5.0mm for top entry type and 5.1mm for side entry type.

- Compact, low profile design
- Anti-misinsertion feature
- Receptacles with protrusions
- Header designed for vacuum pick and place robotics

Specifications

- Current rating: 1.0 A AC, DC (AWG #28)
- Voltage rating: 50 V AC, DC
- Temperature range: -25°C to +85°C
(including temperature rise in applying electrical current)
- Contact resistance: Initial value/ 20 mΩ max.
After environmental tests/ 40 mΩ max.
- Insulation resistance: 100 MΩ min.
- Withstanding voltage: 500 VAC/minute
- Applicable wire: Conductor size/ AWG #32 to #28
Insulation O.D./ 0.4 to 0.8 mm

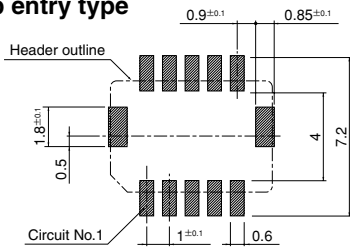
- * Refer to "General Instruction and Notice when using Terminals and Connectors" at the end of this catalog.
- * Contact JST for details.
- * Compliant with RoHS.

Standards

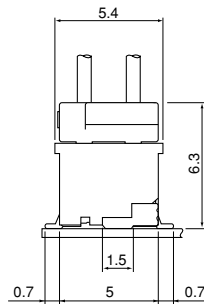
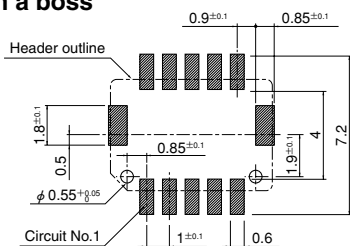
- Ⓜ Recognized E60389
- Ⓢ Certified LR20812

PC board layout and Assembly layout

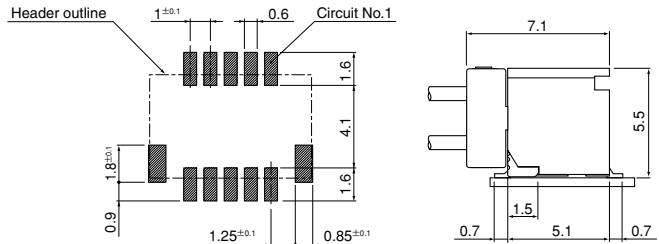
Top entry type



with a boss

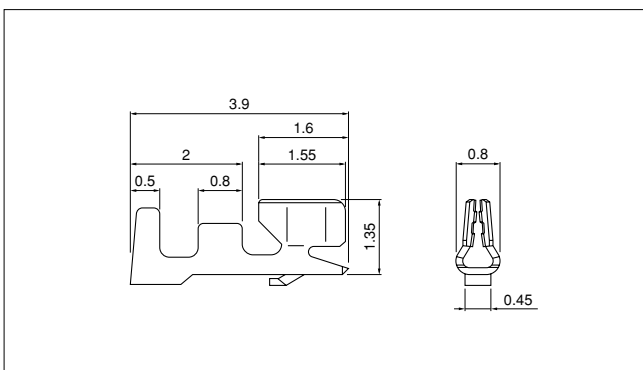


Side entry type



1. The above figure is the figure viewed from the connector mounting side.
2. Tolerances are non-cumulative: ±0.05 mm for all centers.
3. The dimensions above should serve as a guideline. Contact JST for details.

Contact



| Model No. | Applicable wire | | | Q'ty/ reel |
|----------------|-----------------|-------|----------------------|---------------|
| | mm ² | AWG# | Insulation O.D. (mm) | |
| SSH-003GA-P0.2 | 0.032~0.08 | 32~28 | 0.4~0.8 | 23,000 |

Material and Finish

Phosphor bronze, nickel-undercoated, Mating part; gold-plated

RoHS compliance

Note: Contact JST for tin-plated products.

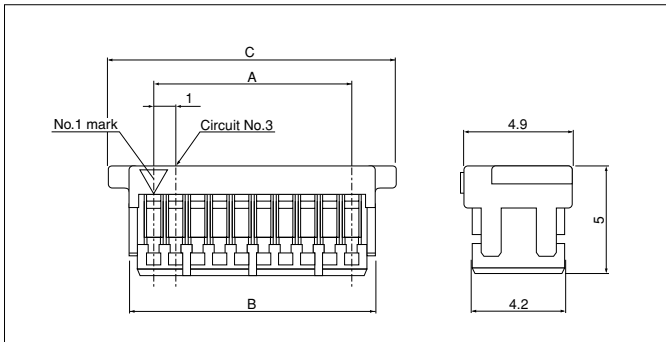
| Contact | Crimping machine | Applicator | | |
|----------------|------------------|------------------|-----------------|----------------------------|
| | | Crimp applicator | Dies | Crimp applicator with dies |
| SSH-003GA-P0.2 | AP-K2N | MKS-L-10-3 | MK/SSH/L-003-02 | APLMK SSH/L003-02 |
| | | *MKS-SC | SC/SSH/L-003-02 | APLSC SSH/L003-02 |

Note: *Strip-crimp applicator

Contact JST for applicable wires in case that it is not usable due to wire size.

SHD CONNECTOR

Housing



| Circuits | Model No. | Dimensions (mm) | | | Q'ty/box |
|----------|--------------|-----------------|------|------|----------|
| | | A | B | C | |
| 20 | SHDR-20V-S-B | 9.0 | 11.2 | 13.0 | 4,000 |
| 30 | SHDR-30V-S-B | 14.0 | 16.2 | 18.0 | 4,000 |
| 40 | SHDR-40V-S-B | 19.0 | 21.2 | 23.0 | 2,000 |
| 50 | SHDR-50V-S-B | 24.0 | 26.2 | 28.0 | 2,000 |

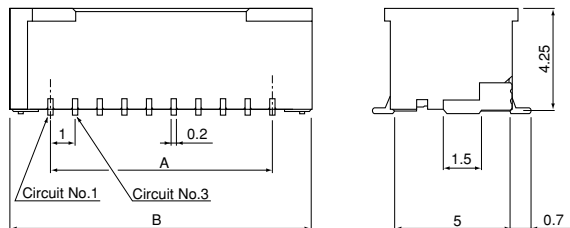
Material

PBT, UL94V-0, natural (white)

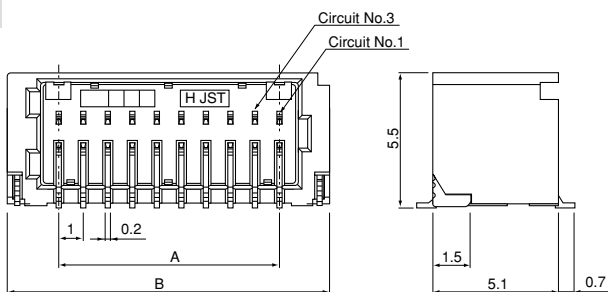
RoHS compliance

Shrouded header

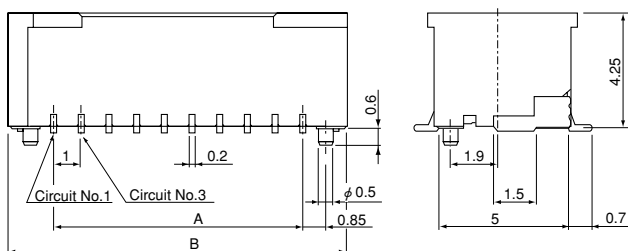
Top entry type



Side entry type



Top entry type with a boss



| Circuits | Model No. | Dimensions (mm) | | Q'ty/reel |
|----------|-----------------|-----------------|------|-----------|
| | | A | B | |
| 20 | BM20B-SRDS-G-TF | 9.0 | 12.3 | 1,500 |
| 30 | BM30B-SRDS-G-TF | 14.0 | 17.3 | 1,500 |
| 40 | BM40B-SRDS-G-TF | 19.0 | 22.3 | 1,500 |
| 50 | BM50B-SRDS-G-TF | 24.0 | 27.3 | 1,500 |

| Circuits | Model No. | Dimensions (mm) | | Q'ty/reel |
|----------|-----------------|-----------------|------|-----------|
| | | A | B | |
| 20 | SM20B-SRDS-G-TF | 9.0 | 13.1 | 1,250 |
| 30 | SM30B-SRDS-G-TF | 14.0 | 18.1 | 1,250 |
| 40 | SM40B-SRDS-G-TF | 19.0 | 23.1 | 1,250 |
| 50 | SM50B-SRDS-G-TF | 24.0 | 28.1 | 1,250 |

Material and Finish

Header contact: Phosphor bronze, nickel-undercoated, gold-plated
 Wafer: PA, UL94V-0, natural (ivory)
 Solder tab: Brass, copper-undercoated, tin-plated (reflow treatment)

RoHS compliance

This product displays (LF)(SN) on a label.
 Note: 1. The products listed above are supplied on embossed-tape.
 2. Contact JST for the headers with tin-plated pins.
 3. Contact JST for the top entry type headers with suction cap.

| Circuits | Model No. | Dimensions (mm) | | Q'ty/reel |
|----------|-------------------|-----------------|------|-----------|
| | | A | B | |
| 20 | BM20B-SRDS-A-G-TF | 9.0 | 12.3 | 1,250 |
| 30 | BM30B-SRDS-A-G-TF | 14.0 | 17.3 | 1,250 |
| 40 | BM40B-SRDS-A-G-TF | 19.0 | 22.3 | 1,250 |
| 50 | BM50B-SRDS-A-G-TF | 24.0 | 27.3 | 1,250 |

Material and Finish

Header contact: Phosphor bronze, nickel-undercoated, gold-plated
 Wafer: PA, UL94V-0, natural (ivory)
 Solder tab: Brass, copper-undercoated, tin-plated (reflow treatment)

RoHS compliance

This product displays (LF)(SN) on a label.
 Note: 1. The products listed above are supplied on embossed-tape.
 2. Contact JST for the headers with tin-plated pins.