

0.5 Amp or Less Reversible Motor Drivers (Single Motor)

BH6578FVM BD7931F

General Description

The BH6578FVM and BD7931F are reversible motor drivers with a wide output dynamic range, with power MOS used for the output transistor. The motor drivers can be set to four output modes 1) forward (normal) rotation, 2) reverse rotation, 3) stop (idling or OFF) and 4) brake using 2 logic inputs.

Features

- Wide dynamic range loading driver with MOS output, $R_{ON} = 1.0\Omega$ (Top + Bottom)
- With loading driver voltage setting terminal
- Built-in Thermal Shutdown Circuit (TSD)

Applications

Tray loading of CD/DVD, applications using DC motors

Key Specifications

- Supply Voltage Range:

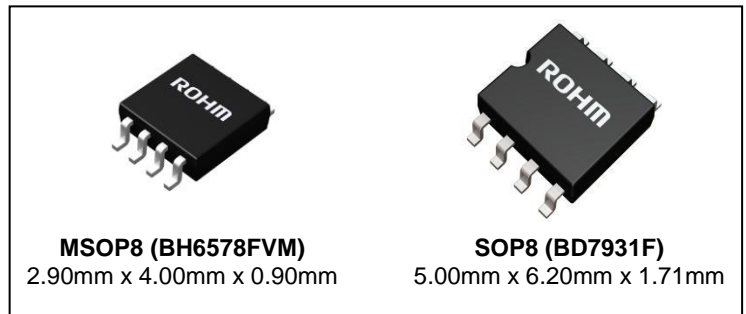
BH6578FVM	4.5V to 5.5V
BD7931F	4.5V to 14V
- Standby Current:

BH6578FVM	0.4mA (Typ)
BD7931F	0 μ A (Typ)
- ON-Resistance(Top + Bottom): 1.0 Ω (Typ)
- Operating Temperature Range:

BH6578FVM	-35°C to +85°C
BD7931F	-40°C to +85°C

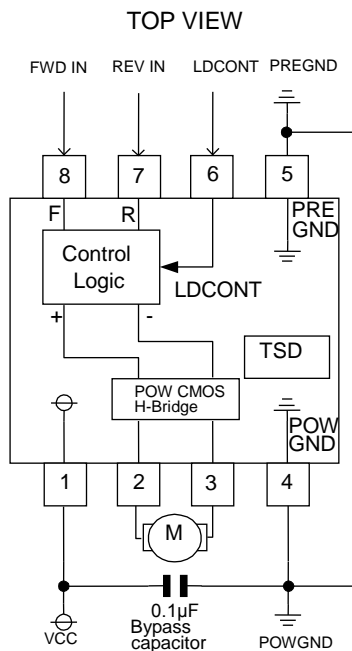
Packages

W(Typ) x D(Typ) x H(Max)



Typical Application Circuit, Block Diagram, Pin Configuration and Pin Descriptions

BH6578FVM, BD7931F (in common)



Pin No.	Pin Name	Function
1	VCC	Supply voltage
2	OUT+	FWD output
3	OUT-	REV output
4	GND	Power ground
5	GND_S	Signal ground
6	LDCONT	Loading driver voltage setting pin
7	INREV	REV input
8	INFWD	FWD input

Absolute Maximum Ratings (Ta=25°C)

Parameter	Symbol	Rating		Unit
		BH6578FVM	BD7931F	
Supply Voltage	V _{CC}	7	15	V
Power Dissipation	P _d	0.55 (Note 1)	0.69 (Note 2)	W
Operating Temperature	T _{opr}	-35 to +85	-40 to +85	°C
Storage Temperature	T _{stg}	-55 to +150		°C
Output Current	I _{OUT}	500		mA
Junction Temperature	T _{jmax}	150		°C

(Note 1) When 70 mm x 70 mm x 1.6 mm thick glass epoxy substrate with less than 3% copper foil occupancy ratio is mounted.

When used at Ta=25°C or higher, derated at 4.4 mW/°C.

(Note 2) When 70 mm x 70 mm x 1.6 mm thick glass epoxy substrate with less than 3% copper foil occupancy ratio is mounted.

When used at Ta=25°C or higher, derated at 5.5 mW/°C.

Caution: Operating the IC over the absolute maximum ratings may damage the IC. The damage can either be a short circuit between pins or an open circuit between pins and the internal circuitry. Therefore, it is important to consider circuit protection measures, such as adding a fuse, in case the IC is operated over the absolute maximum ratings.

Recommended Operating Conditions

Parameter	Symbol	BH6578FVM			BD7931F			單位
		Min	Typ	Max	Min	Typ	Max	
Supply Voltage	V _{CC}	4.5	5	5.5	4.5	8	14	V

Truth Table

BH6578FVM, BD7931F

INPUT		OUTPUT		Function
INFWD	INREV	OUT+	OUT-	
L	L	Hi-Z	Hi-Z	High Impedance
L	H	L	H	REV mode
H	L	H	L	FWD mode
H	H	L	L	Brake mode

Hi-Z : Hi-impedance

Electrical Characteristics

BH6578FVM (Unless otherwise specified, Ta=25°C, V_{CC}=5V)

Parameter	Symbol	Limit			Unit	Conditions
		Min	Typ	Max		
Standby Current	I _{CC}	-	0.4	0.8	mA	No load
(Loading Driver)						
Output Offset Voltage	V _{OFSL}	-15	0	+15	mV	Brake mode
Input Voltage H Level	V _{IH}	2.0	-	V _{CC}	V	
Input Voltage L Level	V _{IL}	GND	-	0.5	V	
ON-Resistance	R _{ON}	-	1.0	1.8	Ω	I _{OUT} =500mA, Top + Bottom
Voltage Gain	G _{VLD}	4.5	6.0	7.5	dB	(Note 1)
Voltage Gain Difference	ΔG _{VLD}	-2.0	0	+2.0	dB	
Input Bias Current	I _{INL}	-	86	120	μA	V _{FIN} =5V, V _{RIN} =5V
LDCONT Bias Current	I _{LDC}	-	-	300	nA	V _{CONT} =2V

(Note 1) Let VO1 denote output-to-output voltage when V_{CONT}=1V and VO2 denote output-to-output Voltage when V_{CONT}=3.5V, voltage gain can be expressed by the following equation: $G_{VLD}=20\log[(VO2-VO1)/2.5]$

BD7931F (Unless otherwise specified, Ta=25°C, V_{CC}=8V)

Parameter	Symbol	Limit			Unit	Conditions
		Min	Typ	Max		
Standby Current	I _{CC1}	-	0	5	μA	
Supply Current 1	I _{CC2}	-	1.1	2.2	mA	V _{FIN} =5V, V _{RIN} =0V
Supply Current 2	I _{CC3}	-	0.8	1.6	mA	V _{FIN} =V _{RIN} =5V
(Loading Driver)						
Output Offset Voltage	V _{OFSL}	-35	0	+35	mV	Brake mode
Input Voltage H Level	V _{IH}	2.0	-	V _{CC}	V	
Input Voltage L Level	V _{IL}	GND	-	0.5	V	
ON-Resistance	R _{ON}	-	1.0	1.8	Ω	I _{OUT} =500mA, Top+Bottom
Voltage Gain	G _{VLD}	4.0	6.0	8.0	dB	(Note 2)
Voltage Gain Difference	ΔG _{VLD}	-2.0	0	+2.0	dB	
Input Bias Current	I _{INL}	-	165	250	μA	V _{FIN} =5V, V _{RIN} =5V
LDCONT Bias Current	I _{LDC}	-	-	300	nA	V _{CONT} =5V

(Note 2) Let VO1 denote output-to-output voltage when V_{CONT}=1V and VO2 denote output-to-output voltage when V_{CONT}=3.5V, voltage gain can be expressed by the following equation: $G_{VLD}=20\log[(VO2-VO1)/2.5]$

Typical Performance Curves

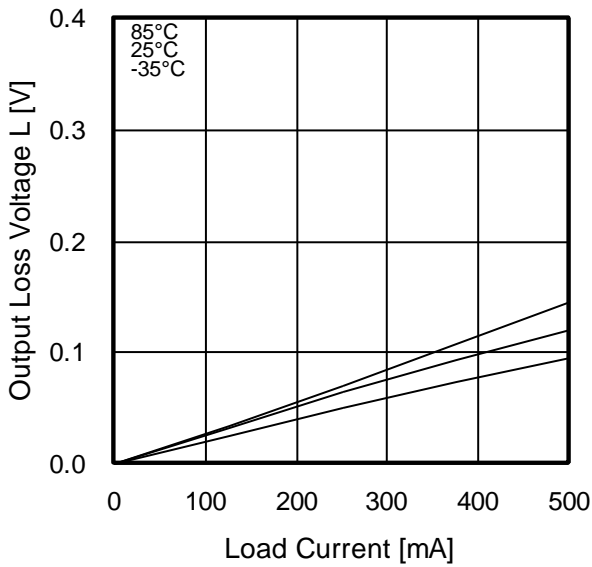


Figure 1. Output Loss Voltage L vs Load Current (BH6578FVM)
 $V_{CC}=5V$, LDCONT=OPEN
 FWD Mode

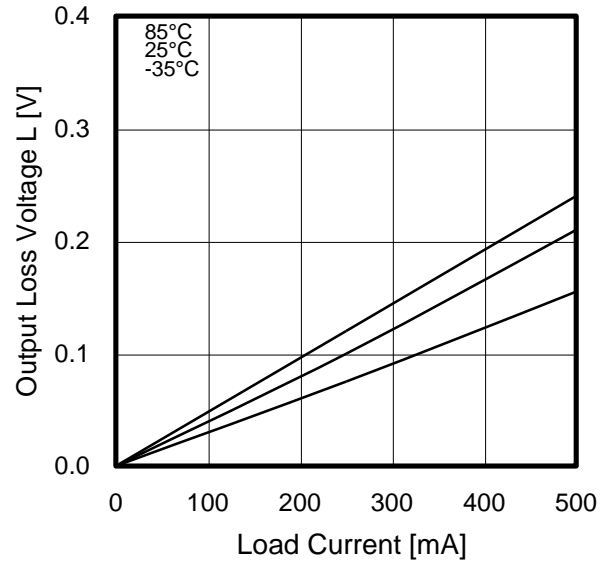


Figure 2. Output Loss Voltage L vs Load Current (BH6578FVM)
 $V_{CC}=5V$, LDCONT=OPEN
 REV Mode

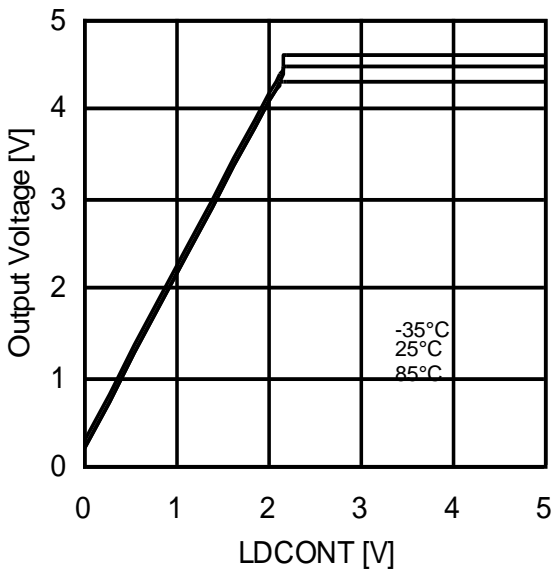


Figure 3. Output Voltage vs Input Voltage (Voltage Gain (BH6578FVM))
 $V_{CC}=5V$, LDCONT=SWEEP
 $R_L=8\Omega+47\mu H$

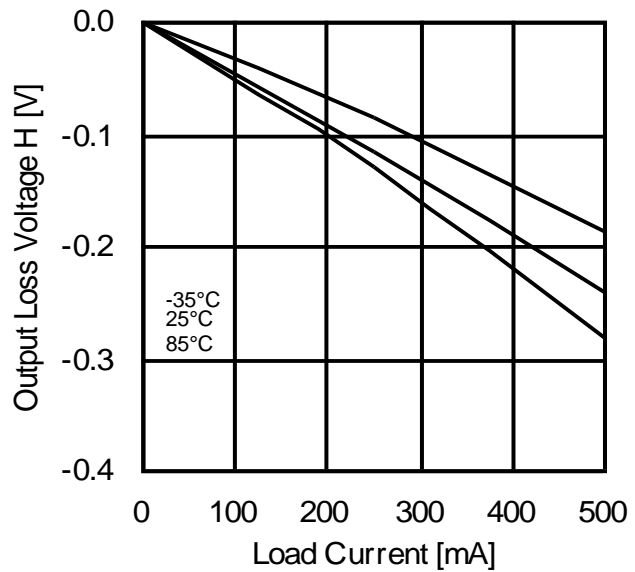


Figure 4. Output Voltage H vs Load Current (BH6578FVM)
 $V_{CC}=5V$, LDCONT=OPEN
 FWD Mode

Typical Performance Curves – continued

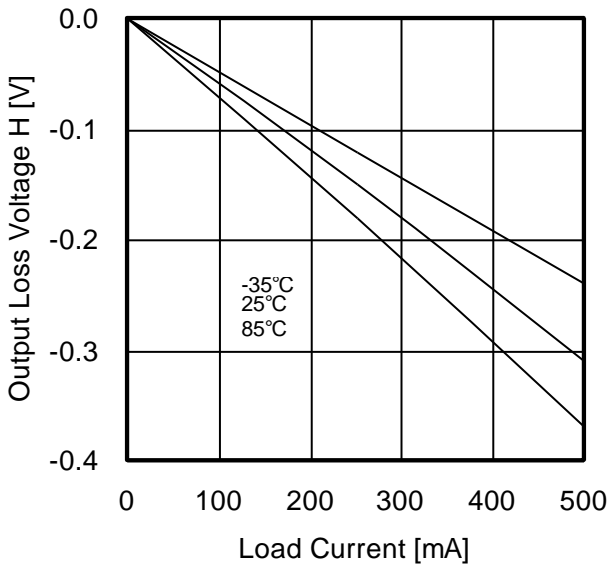


Figure 5. Output Loss Voltage H vs Load Current (BH6578FVM)
 $V_{CC}=5V$, LDCONT=OPEN
 REV Mode

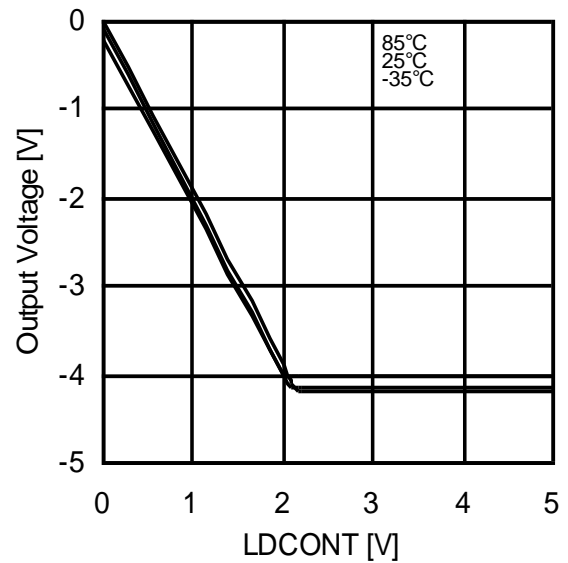


Figure 6. Output Voltage vs Input Voltage (Voltage Gain (BH6578FVM))
 $V_{CC}=5V$, LDCONT=SWEEP

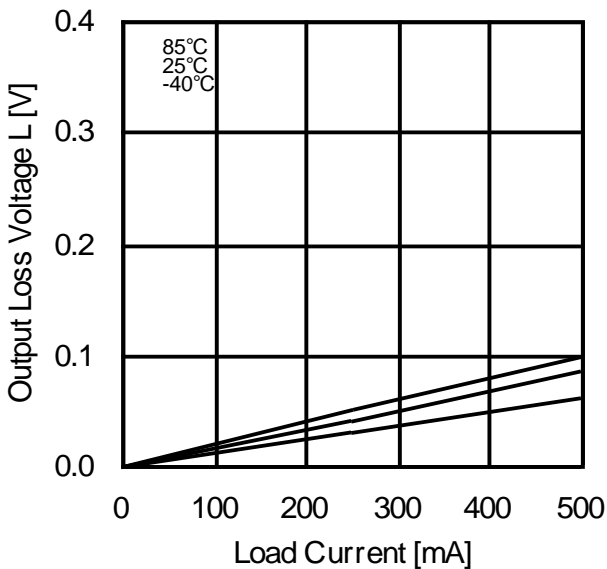


Figure 7. Output Loss Voltage L vs Load Current (BD7931F)
 $V_{CC}=8V$, LDCONT=OPEN
 FWD Mode

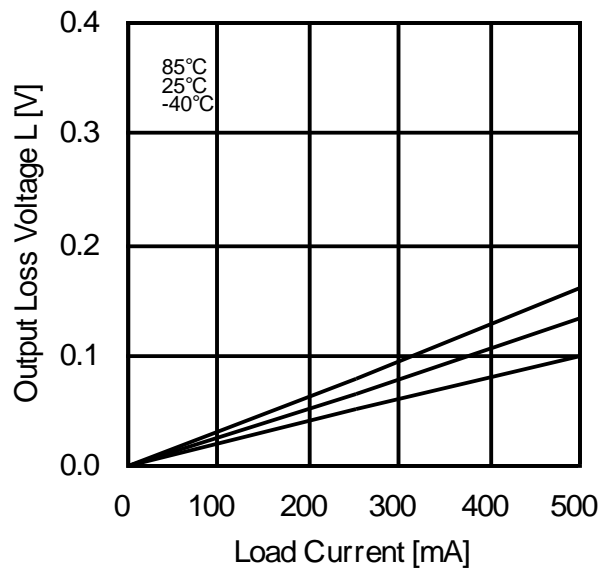


Figure 8. Output Loss Voltage L vs Load Current (BD7931F)
 $V_{CC}=8V$, LDCONT=OPEN
 REV Mode

Typical Performance Curves – continued

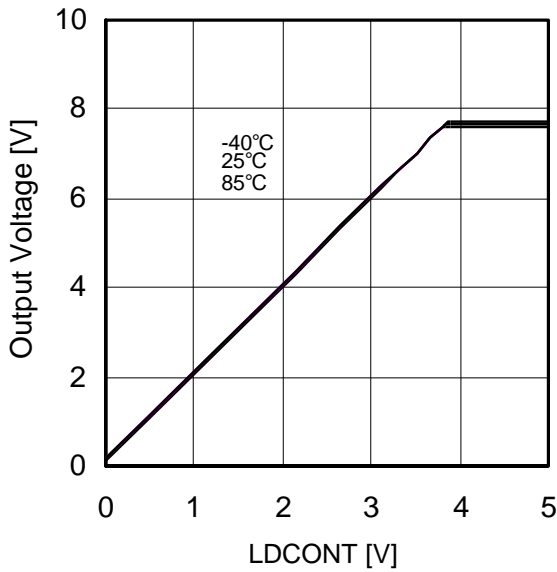


Figure 9. Output Voltage vs Input Voltage (Voltage Gain (BD7931F))
 $V_{CC}=8V$, LDCONT=SWEEP
 $R_L=20\Omega +47\mu H$

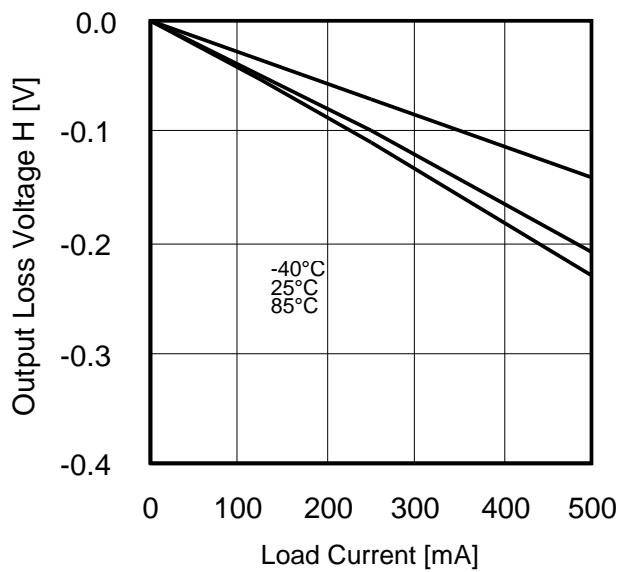


Figure 10. Output Loss Voltage H vs Load Current (BD7931F)
 $V_{CC}=8V$, LDCONT=OPEN
 FWD Mode

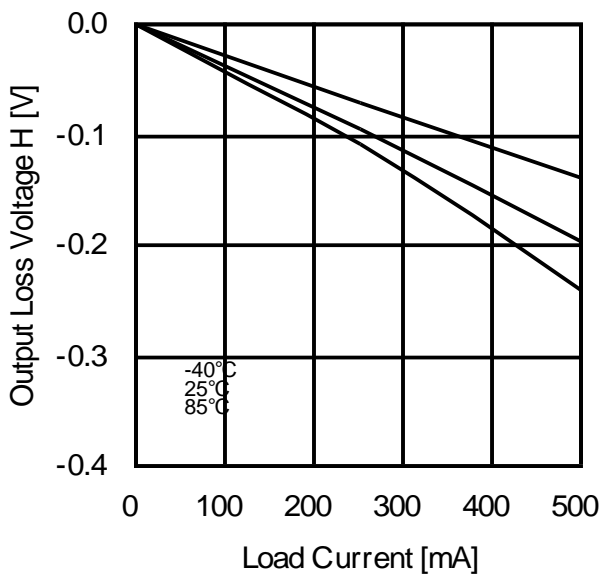


Figure 11. Output Loss Voltage H vs Load Current (BD7931F)
 $V_{CC}=8V$, LDCONT=OPEN
 REV Mode

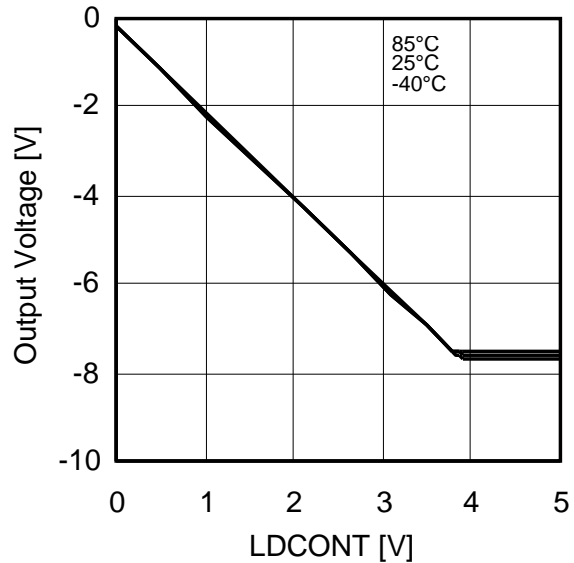
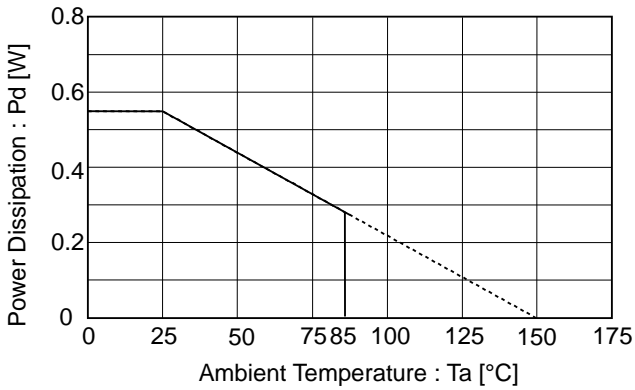


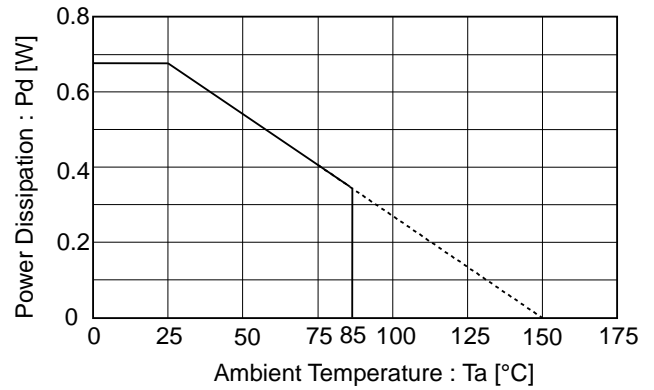
Figure 12. Output Voltage vs Input Voltage (Voltage Gain (BD7931F))
 $V_{CC}=8V$, LDCONT=SWEEP
 $R_L=20\Omega +47\mu H$

Power Dissipation

BH6578FVM



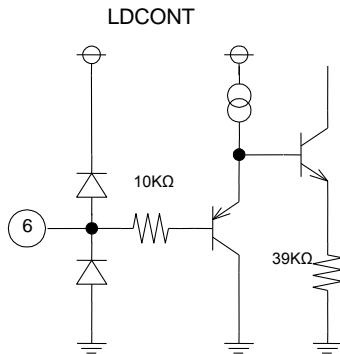
BD7931F



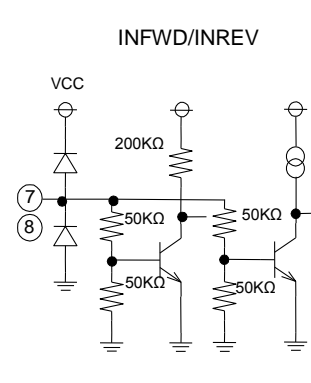
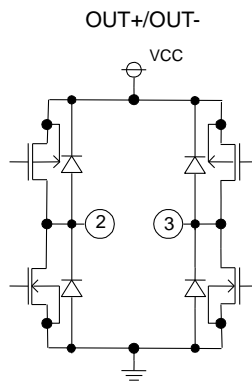
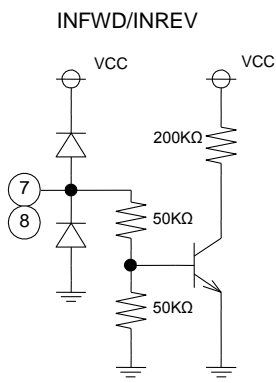
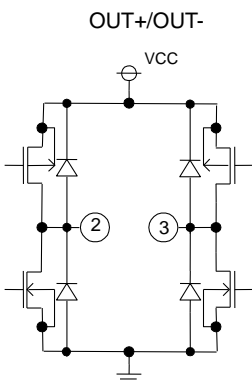
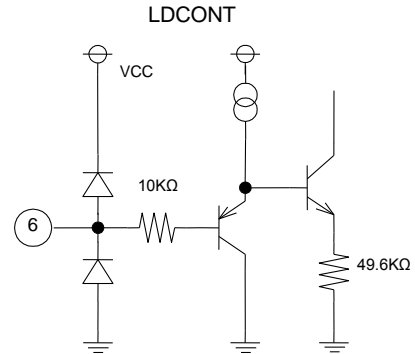
(Note) When 70 mm x 70 mm x 1.6 mm thick glass epoxy substrate with less than 3% copper foil occupancy ratio is mounted.

I/O Equivalent Circuits

BH6578FVM



BD7931F



Control and Operation

1. OUTPUT MODE CONTROL AND OPERATION

Control and operation of each output mode is described as follows:
 When INFWD is "HIGH" and INREV is "LOW", the output is at normal rotation mode. In normal rotation mode, current flows from OUT+ to OUT-. When both INFWD and INREV are "HIGH", the output is at brake mode. In brake mode, the top-side transistor is OFF to stop the supply of motor drive current while the bottom-side transistor is ON to absorb the reverse EMF of motor and apply brake to the motor. When both INFWD and INREV are "LOW", OUT+ and OUT- become high-impedance and the motor stops.

2. OUTPUT VOLTAGE CONTROL

Controlling the output voltage can vary the voltage applied to the motor and thus control motor speed. The output HIGH voltage can be controlled (gain 6dB Typ), using the voltage applied to the CONT terminal. The output voltage never exceeds the power supply voltage even if the voltage applied to CONT terminal exceeds (VCC Max).

Operational Notes

1. Reverse Connection of Power Supply

Connecting the power supply in reverse polarity can damage the IC. Take precautions against reverse polarity when connecting the power supply, such as mounting an external diode between the power supply and the IC's power supply pins.

2. Power Supply Lines

Design the PCB layout pattern to provide low impedance supply lines. Separate the ground and supply lines of the digital and analog blocks to prevent noise in the ground and supply lines of the digital block from affecting the analog block. Furthermore, connect a capacitor to ground at all power supply pins. Consider the effect of temperature and aging on the capacitance value when using electrolytic capacitors.

3. Ground Voltage

Ensure that no pins are at a voltage below that of the ground pin at any time, even during transient condition. However, pins that drive inductive loads (e.g. motor driver outputs, DC-DC converter outputs) may inevitably go below ground due to back EMF or electromotive force. In such cases, the user should make sure that such voltages going below ground will not cause the IC and the system to malfunction by examining carefully all relevant factors and conditions such as motor characteristics, supply voltage, operating frequency and PCB wiring to name a few.

4. Ground Wiring Pattern

When using both small-signal and large-current ground traces, the two ground traces should be routed separately but connected to a single ground at the reference point of the application board to avoid fluctuations in the small-signal ground caused by large currents. Also ensure that the ground traces of external components do not cause variations on the ground voltage. The ground lines must be as short and thick as possible to reduce line impedance.

5. Thermal Consideration

Should by any chance the power dissipation rating be exceeded the rise in temperature of the chip may result in deterioration of the properties of the chip. In case of exceeding this absolute maximum rating, increase the board size and copper area to prevent exceeding the Pd rating.

6. Recommended Operating Conditions

These conditions represent a range within which the expected characteristics of the IC can be approximately obtained. The electrical characteristics are guaranteed under the conditions of each parameter.

7. Inrush Current

When power is first supplied to the IC, it is possible that the internal logic may be unstable and inrush current may flow instantaneously due to the internal powering sequence and delays, especially if the IC has more than one power supply. Therefore, give special consideration to power coupling capacitance, power wiring, width of ground wiring, and routing of connections.

8. Operation Under Strong Electromagnetic Field

Operating the IC in the presence of a strong electromagnetic field may cause the IC to malfunction.

9. Testing on Application Boards

When testing the IC on an application board, connecting a capacitor directly to a low-impedance output pin may subject the IC to stress. Always discharge capacitors completely after each process or step. The IC's power supply should always be turned off completely before connecting or removing it from the test setup during the inspection process. To prevent damage from static discharge, ground the IC during assembly and use similar precautions during transport and storage.

10. Inter-pin Short and Mounting Errors

Ensure that the direction and position are correct when mounting the IC on the PCB. Incorrect mounting may result in damaging the IC. Avoid nearby pins being shorted to each other especially to ground, power supply and output pin. Inter-pin shorts could be due to many reasons such as metal particles, water droplets (in very humid environment) and unintentional solder bridge deposited in between pins during assembly to name a few.

11. Unused Input Pins

Input pins of an IC are often connected to the gate of a MOS transistor. The gate has extremely high impedance and extremely low capacitance. If left unconnected, the electric field from the outside can easily charge it. The small charge acquired in this way is enough to produce a significant effect on the conduction through the transistor and cause unexpected operation of the IC. So unless otherwise specified, unused input pins should be connected to the power supply or ground line.

Operational Notes – continued

12. Regarding the Input Pin of the IC

This monolithic IC contains P+ isolation and P substrate layers between adjacent elements in order to keep them isolated. P-N junctions are formed at the intersection of the P layers with the N layers of other elements, creating a parasitic diode or transistor. For example (refer to figure below):

When GND > Pin A and GND > Pin B, the P-N junction operates as a parasitic diode.
 When GND > Pin B, the P-N junction operates as a parasitic transistor.

Parasitic diodes inevitably occur in the structure of the IC. The operation of parasitic diodes can result in mutual interference among circuits, operational faults, or physical damage. Therefore, conditions that cause these diodes to operate, such as applying a voltage lower than the GND voltage to an input pin (and thus to the P substrate) should be avoided.

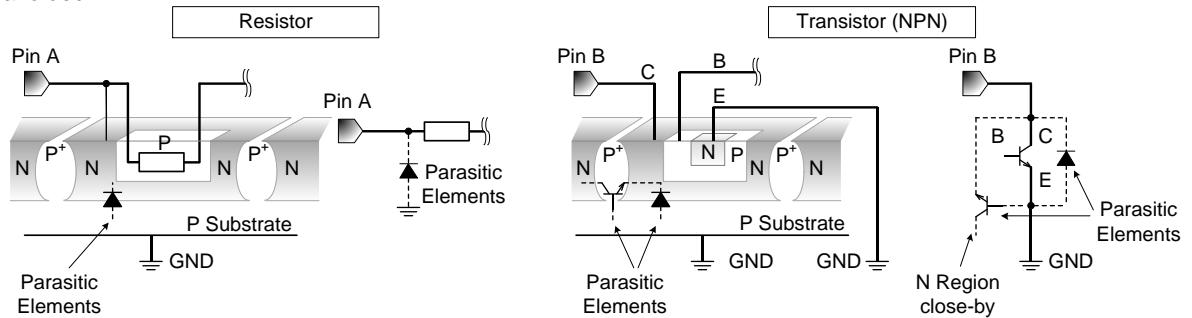


Figure 13. Example of monolithic IC structure

13. Area of Safe Operation (ASO)

Operate the IC such that the output voltage, output current, and power dissipation are all within the Area of Safe Operation (ASO).

14. Thermal Shutdown Circuit(TSD)

This IC has a built-in thermal shutdown circuit that prevents heat damage to the IC. Normal operation should always be within the IC's power dissipation rating. If however the rating is exceeded for a continued period, the junction temperature (Tj) will rise which will activate the TSD circuit that will turn OFF all output pins. When the Tj falls below the TSD threshold, the circuits are automatically restored to normal operation.

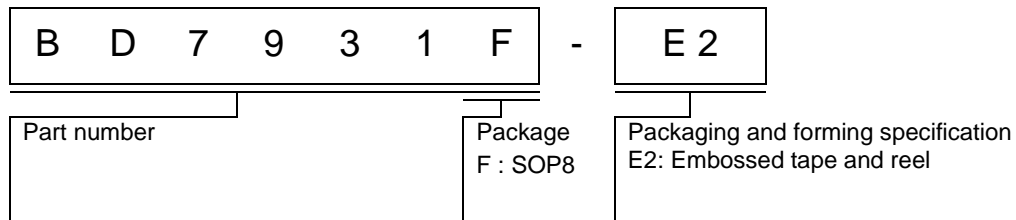
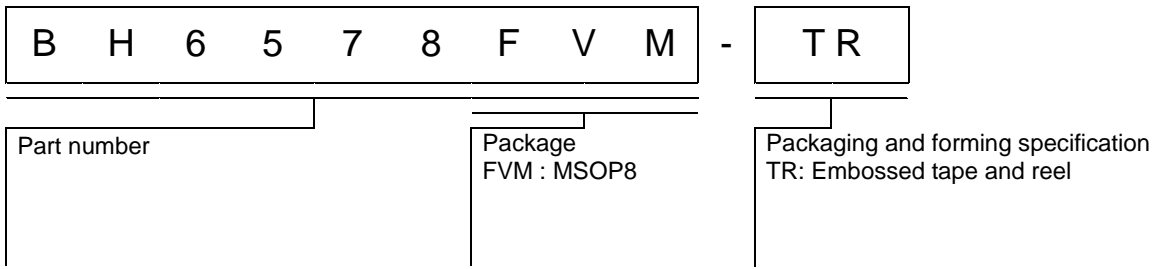
Note that the TSD circuit operates in a situation that exceeds the absolute maximum ratings and therefore, under no circumstances, should the TSD circuit be used in a set design or for any purpose other than protecting the IC from heat damage.

	TSD ON temperature [°C] (typ)	Hysteresis temperature [°C] (typ)
BH6578FVM, BD7931F	175	25

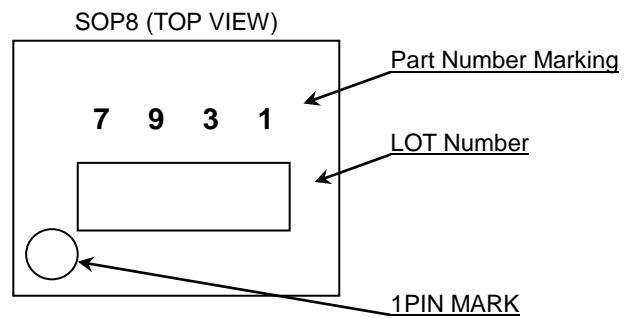
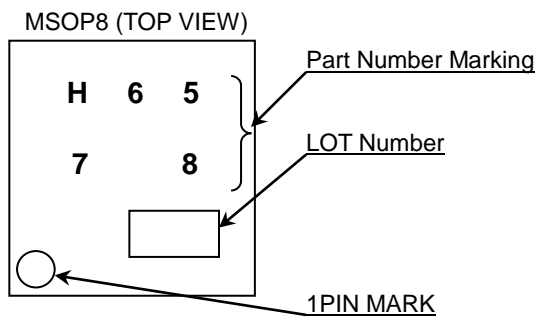
15. Capacitor Across Output and GND

In the event a large capacitor is connected across output and GND, when VCC and IN are short-circuited with 0V or GND for some reason, the charge stored in the capacitor flows into the output and may destroy the IC. Use a capacitor smaller than 0.1 μF between output and GND.

Ordering Information

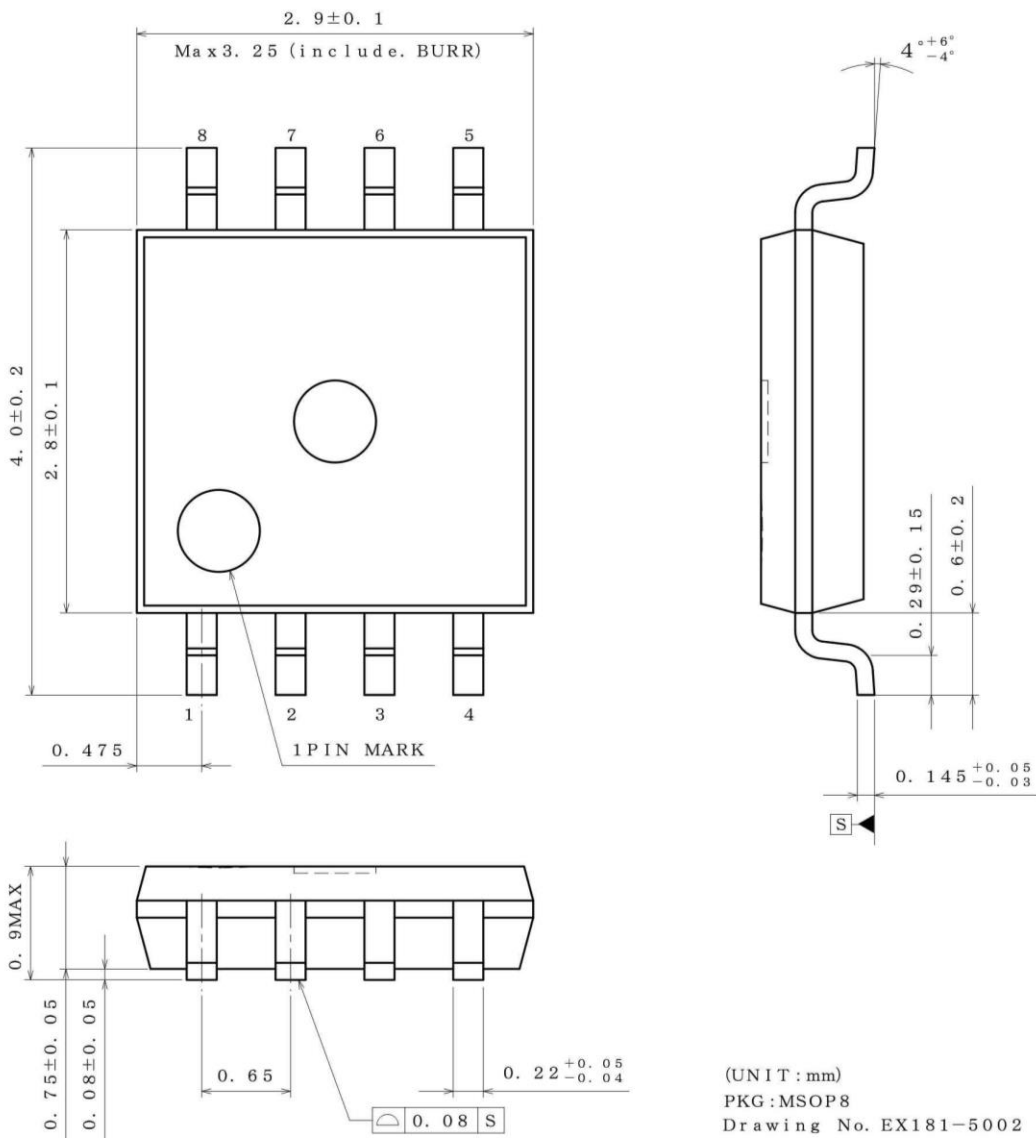


Marking Diagrams



Physical Dimension, Tape and Reel Information

Package Name	MSOP8
--------------	-------

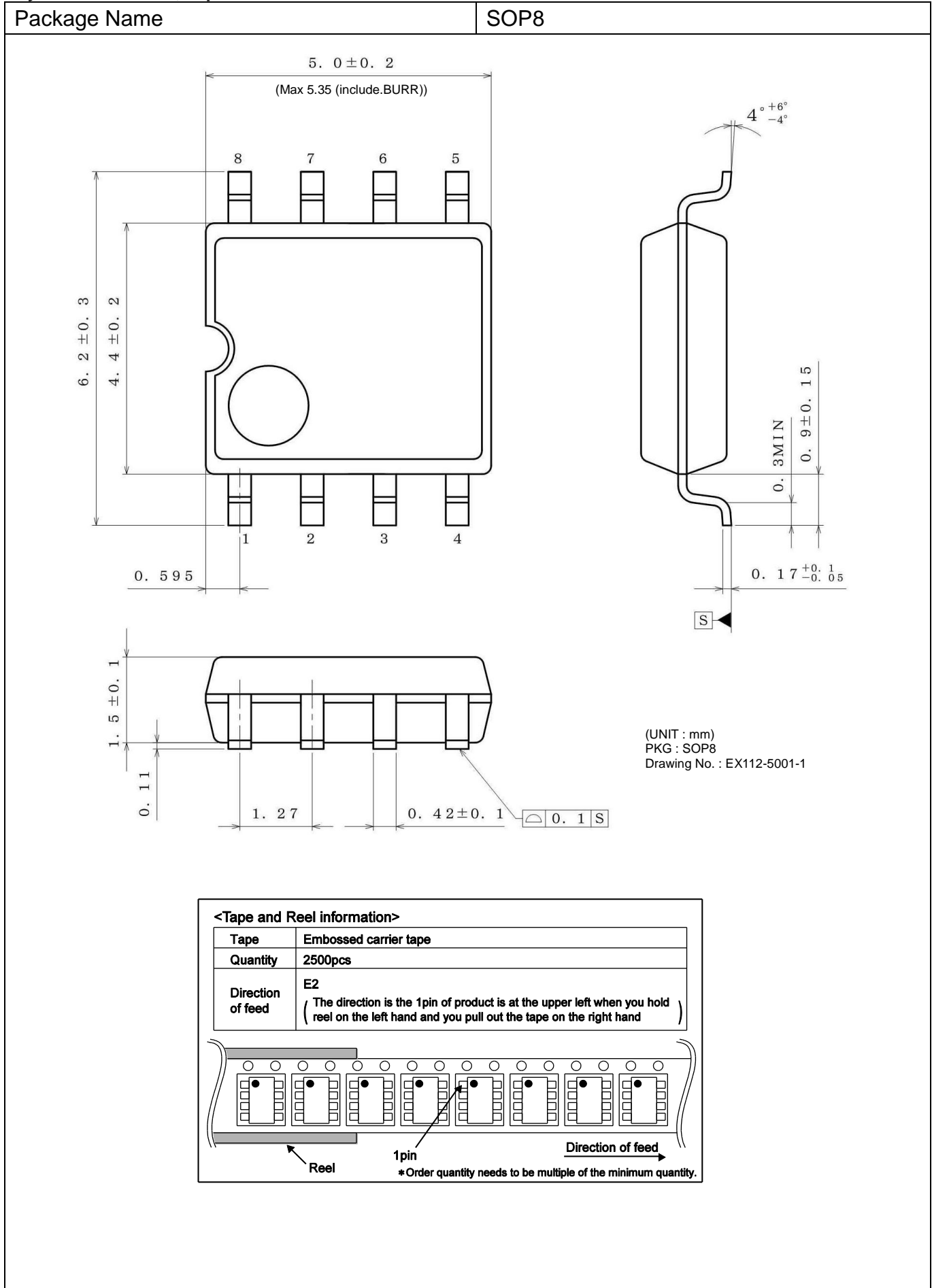


<Tape and Reel information>

Tape	Embossed carrier tape
Quantity	3000pcs
Direction of feed	TR (The direction is the 1pin of product is at the upper right when you hold reel on the left hand and you pull out the tape on the right hand)

***Order quantity needs to be multiple of the minimum quantity.**

Physical Dimension, Tape and Reel Information – continued



Revision History

Date	Revision	Changes
04.Nov.2015	001	New Release

Notice

Precaution on using ROHM Products

- Our Products are designed and manufactured for application in ordinary electronic equipments (such as AV equipment, OA equipment, telecommunication equipment, home electronic appliances, amusement equipment, etc.). If you intend to use our Products in devices requiring extremely high reliability (such as medical equipment ^(Note 1), transport equipment, traffic equipment, aircraft/spacecraft, nuclear power controllers, fuel controllers, car equipment including car accessories, safety devices, etc.) and whose malfunction or failure may cause loss of human life, bodily injury or serious damage to property ("Specific Applications"), please consult with the ROHM sales representative in advance. Unless otherwise agreed in writing by ROHM in advance, ROHM shall not be in any way responsible or liable for any damages, expenses or losses incurred by you or third parties arising from the use of any ROHM's Products for Specific Applications.

(Note1) Medical Equipment Classification of the Specific Applications

JAPAN	USA	EU	CHINA
CLASS III	CLASS III	CLASS II b	CLASS III
CLASS IV		CLASS III	

- ROHM designs and manufactures its Products subject to strict quality control system. However, semiconductor products can fail or malfunction at a certain rate. Please be sure to implement, at your own responsibilities, adequate safety measures including but not limited to fail-safe design against the physical injury, damage to any property, which a failure or malfunction of our Products may cause. The following are examples of safety measures:
 - Installation of protection circuits or other protective devices to improve system safety
 - Installation of redundant circuits to reduce the impact of single or multiple circuit failure
- Our Products are designed and manufactured for use under standard conditions and not under any special or extraordinary environments or conditions, as exemplified below. Accordingly, ROHM shall not be in any way responsible or liable for any damages, expenses or losses arising from the use of any ROHM's Products under any special or extraordinary environments or conditions. If you intend to use our Products under any special or extraordinary environments or conditions (as exemplified below), your independent verification and confirmation of product performance, reliability, etc. prior to use, must be necessary:
 - Use of our Products in any types of liquid, including water, oils, chemicals, and organic solvents
 - Use of our Products outdoors or in places where the Products are exposed to direct sunlight or dust
 - Use of our Products in places where the Products are exposed to sea wind or corrosive gases, including Cl₂, H₂S, NH₃, SO₂, and NO₂
 - Use of our Products in places where the Products are exposed to static electricity or electromagnetic waves
 - Use of our Products in proximity to heat-producing components, plastic cords, or other flammable items
 - Sealing or coating our Products with resin or other coating materials
 - Use of our Products without cleaning residue of flux (even if you use no-clean type fluxes, cleaning residue of flux is recommended); or Washing our Products by using water or water-soluble cleaning agents for cleaning residue after soldering
 - Use of the Products in places subject to dew condensation
- The Products are not subject to radiation-proof design.
- Please verify and confirm characteristics of the final or mounted products in using the Products.
- In particular, if a transient load (a large amount of load applied in a short period of time, such as pulse. is applied, confirmation of performance characteristics after on-board mounting is strongly recommended. Avoid applying power exceeding normal rated power; exceeding the power rating under steady-state loading condition may negatively affect product performance and reliability.
- De-rate Power Dissipation depending on ambient temperature. When used in sealed area, confirm that it is the use in the range that does not exceed the maximum junction temperature.
- Confirm that operation temperature is within the specified range described in the product specification.
- ROHM shall not be in any way responsible or liable for failure induced under deviant condition from what is defined in this document.

Precaution for Mounting / Circuit board design

- When a highly active halogenous (chlorine, bromine, etc.) flux is used, the residue of flux may negatively affect product performance and reliability.
- In principle, the reflow soldering method must be used on a surface-mount products, the flow soldering method must be used on a through hole mount products. If the flow soldering method is preferred on a surface-mount products, please consult with the ROHM representative in advance.

For details, please refer to ROHM Mounting specification

Precautions Regarding Application Examples and External Circuits

1. If change is made to the constant of an external circuit, please allow a sufficient margin considering variations of the characteristics of the Products and external components, including transient characteristics, as well as static characteristics.
2. You agree that application notes, reference designs, and associated data and information contained in this document are presented only as guidance for Products use. Therefore, in case you use such information, you are solely responsible for it and you must exercise your own independent verification and judgment in the use of such information contained in this document. ROHM shall not be in any way responsible or liable for any damages, expenses or losses incurred by you or third parties arising from the use of such information.

Precaution for Electrostatic

This Product is electrostatic sensitive product, which may be damaged due to electrostatic discharge. Please take proper caution in your manufacturing process and storage so that voltage exceeding the Products maximum rating will not be applied to Products. Please take special care under dry condition (e.g. Grounding of human body / equipment / solder iron, isolation from charged objects, setting of Ionizer, friction prevention and temperature / humidity control).

Precaution for Storage / Transportation

1. Product performance and soldered connections may deteriorate if the Products are stored in the places where:
 - [a] the Products are exposed to sea winds or corrosive gases, including Cl₂, H₂S, NH₃, SO₂, and NO₂
 - [b] the temperature or humidity exceeds those recommended by ROHM
 - [c] the Products are exposed to direct sunshine or condensation
 - [d] the Products are exposed to high Electrostatic
2. Even under ROHM recommended storage condition, solderability of products out of recommended storage time period may be degraded. It is strongly recommended to confirm solderability before using Products of which storage time is exceeding the recommended storage time period.
3. Store / transport cartons in the correct direction, which is indicated on a carton with a symbol. Otherwise bent leads may occur due to excessive stress applied when dropping of a carton.
4. Use Products within the specified time after opening a humidity barrier bag. Baking is required before using Products of which storage time is exceeding the recommended storage time period.

Precaution for Product Label

QR code printed on ROHM Products label is for ROHM's internal use only.

Precaution for Disposition

When disposing Products please dispose them properly using an authorized industry waste company.

Precaution for Foreign Exchange and Foreign Trade act

Since concerned goods might be fallen under listed items of export control prescribed by Foreign exchange and Foreign trade act, please consult with ROHM in case of export.

Precaution Regarding Intellectual Property Rights

1. All information and data including but not limited to application example contained in this document is for reference only. ROHM does not warrant that foregoing information or data will not infringe any intellectual property rights or any other rights of any third party regarding such information or data.
2. ROHM shall not have any obligations where the claims, actions or demands arising from the combination of the Products with other articles such as components, circuits, systems or external equipment (including software).
3. No license, expressly or implied, is granted hereby under any intellectual property rights or other rights of ROHM or any third parties with respect to the Products or the information contained in this document. Provided, however, that ROHM will not assert its intellectual property rights or other rights against you or your customers to the extent necessary to manufacture or sell products containing the Products, subject to the terms and conditions herein.

Other Precaution

1. This document may not be reprinted or reproduced, in whole or in part, without prior written consent of ROHM.
2. The Products may not be disassembled, converted, modified, reproduced or otherwise changed without prior written consent of ROHM.
3. In no event shall you use in any way whatsoever the Products and the related technical information contained in the Products or this document for any military purposes, including but not limited to, the development of mass-destruction weapons.
4. The proper names of companies or products described in this document are trademarks or registered trademarks of ROHM, its affiliated companies or third parties.

General Precaution

1. Before you use our Products, you are requested to carefully read this document and fully understand its contents. ROHM shall not be in any way responsible or liable for failure, malfunction or accident arising from the use of any ROHM's Products against warning, caution or note contained in this document.
2. All information contained in this document is current as of the issuing date and subject to change without any prior notice. Before purchasing or using ROHM's Products, please confirm the latest information with a ROHM sales representative.
3. The information contained in this document is provided on an "as is" basis and ROHM does not warrant that all information contained in this document is accurate and/or error-free. ROHM shall not be in any way responsible or liable for any damages, expenses or losses incurred by you or third parties resulting from inaccuracy or errors of or concerning such information.