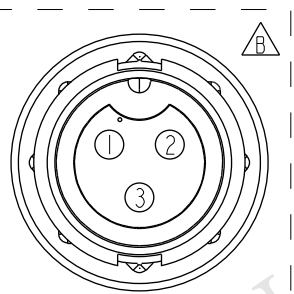
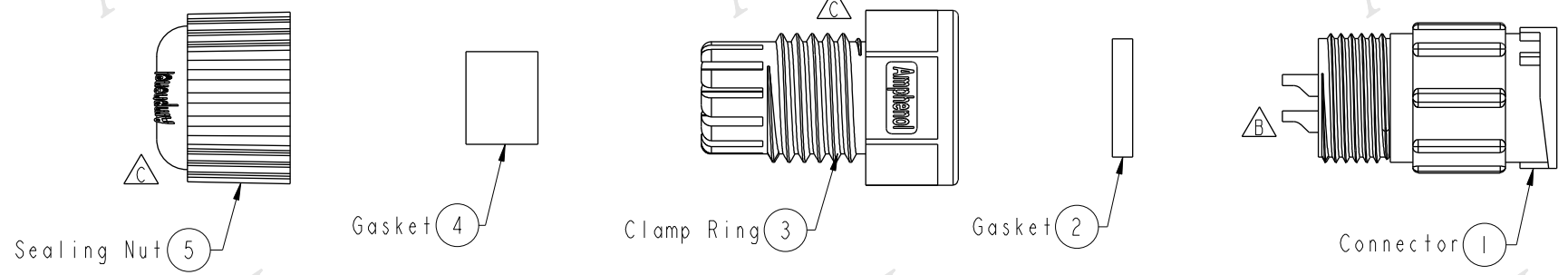
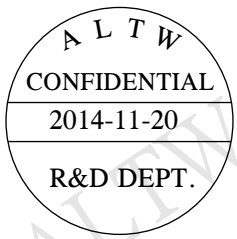
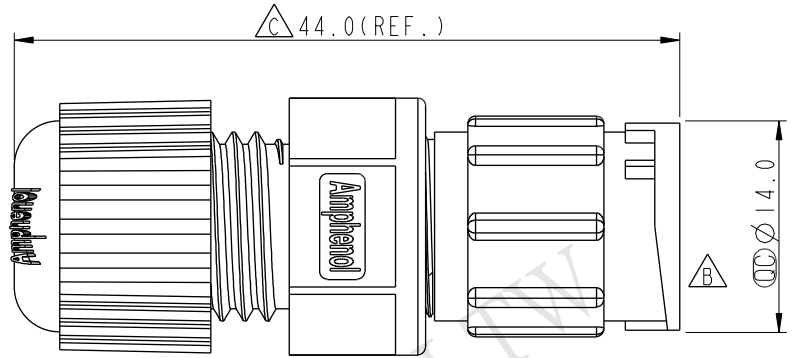


REV.	ECN NO.	DATE	SIGN	DESCRIPTION
B	LEN-050042	2009/11/13	Li Xiu Zhi	Change View
C	LEN14C0031	2014/11/20	Vicky	Update Logo & Dimension



Pin Assignments
Front View



Note:

- * CC Important Dimension To Check.
- * Waterproof Rate: IP67
- * Housing: Nylon+GF, Black
- * Female Pin: Copper Alloy, Gold Plated
- * Gasket: EPDM, Black
- * Clamp Ring: Nylon, Black
- * Seal: EPDM, Black
- * Sealing Nut: Nylon, Black
- * Seal For Cable OD: $\text{O}4.5\text{mm} \sim \text{O}6.5\text{mm}$
(防水墊圈線徑: $\text{O}4.5\text{mm} \sim \text{O}6.5\text{mm}$)
- * One Set Unassembled In One PE Bag
(每一組未組裝, 放置於一個PE袋, 並封口)

UNIT:mm		
TOLERANCE		
.X	± 0.25	
.XX	± 0.1	
.XXX	± 0.05	
ANGLES	$\pm 1^\circ$	

TITLE 3Pin Male Connector Female Pin for Field Installation, Lock Type			
SCALE 3:2	SIZE A4	SHEET 1 OF 1	
REV. C	WC-REV. A.2	CC : Inspection item	

Amphenol LTW
安費諾亮泰企業股份有限公司

ITEM NO BD-03BMFA-LL7001	DRAWN BY Vicky	DATE 2014-11-20
DWG NO BD-03BMFA-LL7001	CHECKED BY Sam	DATE 2014-11-20
CUSTOMER ALTW	APPROVED BY Rita	DATE 2014-11-20

THIS DOCUMENT IS SUBJECT TO CHANGE WITHOUT NOTICE. IT IS CONFIDENTIAL AND A PROPERTY OF Amphenol LTW. DISCLOSURE TO THIRD PARTY HAS TO BE AUTHORIZED BY Amphenol LTW.