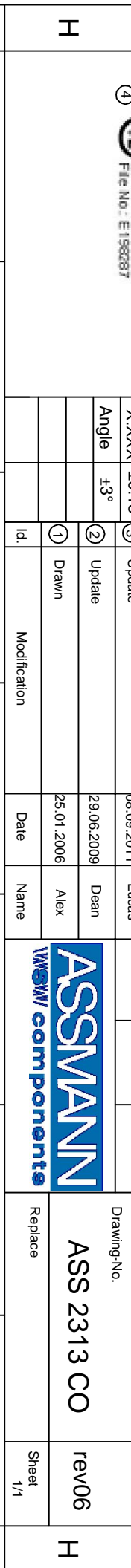
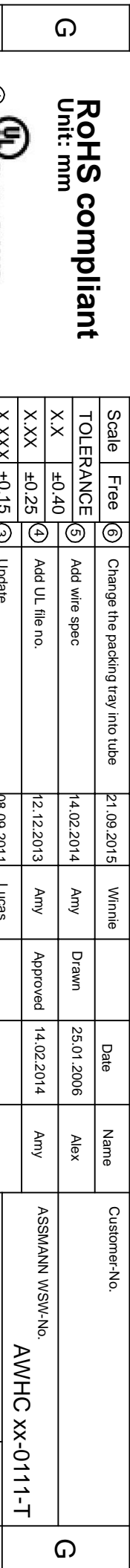
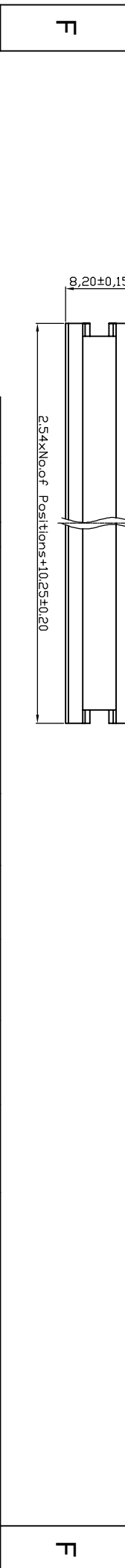
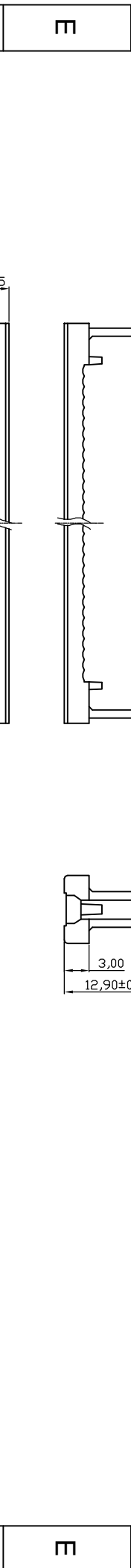
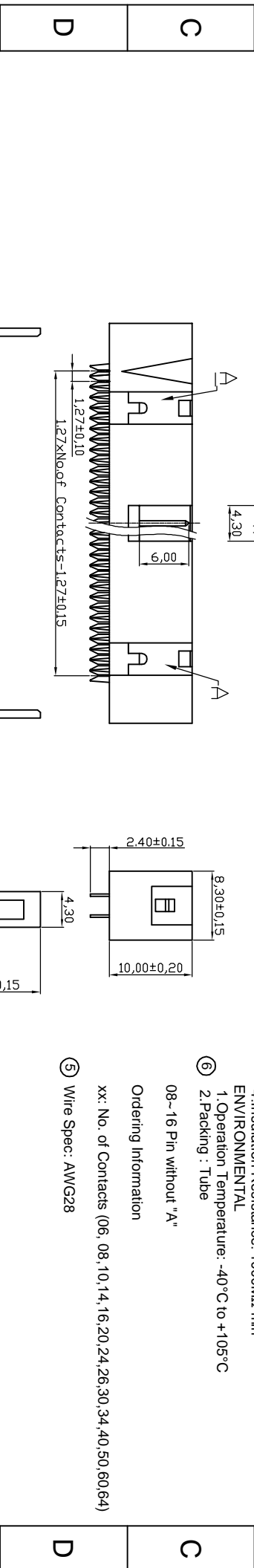
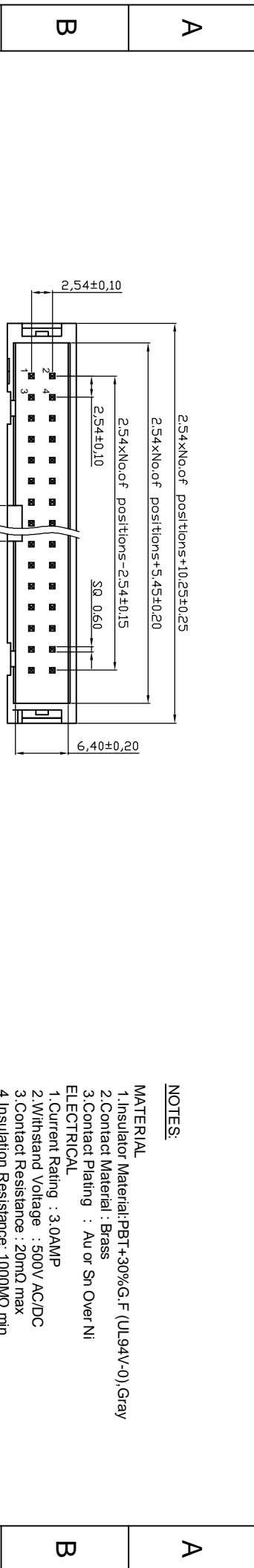


1	2	3	4	5	6	7
---	---	---	---	---	---	---



NOTES:

MATERIAL

1. Insulator Material: PBT+30%G.F (UL94V-0), Gray
2. Contact Material : Brass
3. Contact Plating : Au or Sn Over Ni

ELECTRICAL

1. Current Rating : 3.0AMP
2. Withstand Voltage : 500V AC/DC
3. Contact Resistance : 20mΩ max
4. Insulation Resistance: 1000MΩ min

ENVIRONMENTAL

1. Operation Temperature: -40°C to +105°C
2. Packing : Tube

08 - 16 Pin without "A"

Ordering Information

xx: No. of Contacts (06, 08, 10, 14, 16, 20, 24, 26, 30, 34, 40, 50, 60, 64)

⑤ Wire Spec: AWG28

RoHS compliant
Unit: mm



Scale	Free	⑥	Change the packing tray into tube	21.09.2015	Winnie		Date	Name	Customer-No.
TOLERANCE		⑤	Add wire spec	14.02.2014	Amy	Drawn	25.01.2006	Alex	
X.X	±0.40	④	Add UL file no.	12.12.2013	Amy	Approved	14.02.2014	Amy	ASSMANN WSW-No.
X.XX	±0.25	③	Update	08.09.2011	Lucas				AWHC XX-0111-T
X.XXX	±0.15	②	Update	29.06.2009	Dean				Drawing-No.
Angle	±3°	①	Drawn	25.01.2006	Alex				ASS 2313 CO
		Id.	Modification						Replace



Sheet 1/1