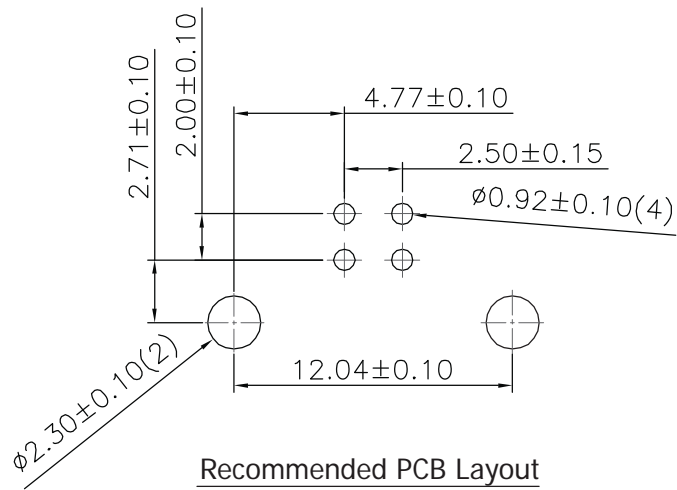
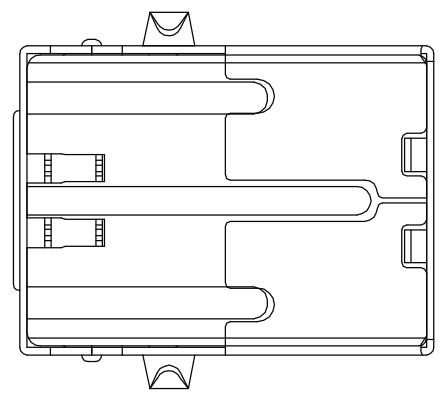


- Material:**
- Contacts: Phosphor Bronze
 - Insulator: PBT
 - Shell: Brass
- Mechanical:**
- Mating: 35N Max.
 - Withdrawal Force: 10N Min.
 - Durability: 1,500 Cycles Min.
- Electrical:**
- Current - Max(Amps): 1.5A
 - Voltage - Max(Volts): 30V
 - Withstanding voltage: 500V AC
 - Contact Resistance: 30MΩ Max.
 - Insulation Resistance: 1,000MΩ Min.
- Plating:**
- Contacts: 5μ" gold plating
 - Shell: Nickel over all plating
- Environmental:**
- Temperature: -55°C ~ +50°C
 - Soldering Temperature: 223.3°C Max.



Recommended PCB Layout

Unit: mm



Scale	1:1					Date	Name	
TOLERANCE					Drawn	01.04.12	Chappell	
X.X	±0.40				Approved	01.04.12	Skinner	
X.XX	±0.25							
X.XXX	±0.15							
DIM	TOL							
X.°	±3°							
X.X°	±X°	①	Changed Insulator: LCP+30% GF, UL94-V-0, Black to 'PCB' Changed Temperature Range from '-55°C~+85°C' to '-55°C~+50°C'	01.04.12				Chappell
Angle	TOL	Id.	Modification	Date				Name

Title	
USB 1.1 Connector - Type B PCB Mounting, 5μ" Gold, White Insulator	
ASSMANN WSW-No.	
AU-Y1007-R	
Drawing-No.	rev01
Replace	Sheet 1/1