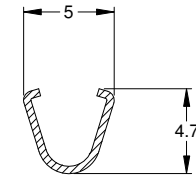
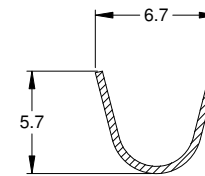
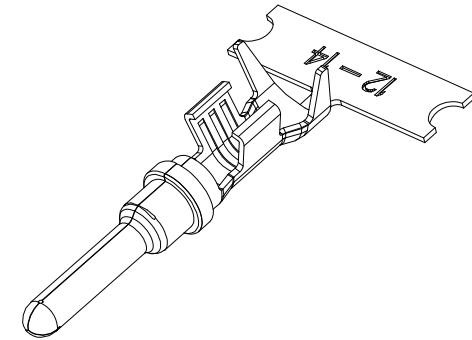
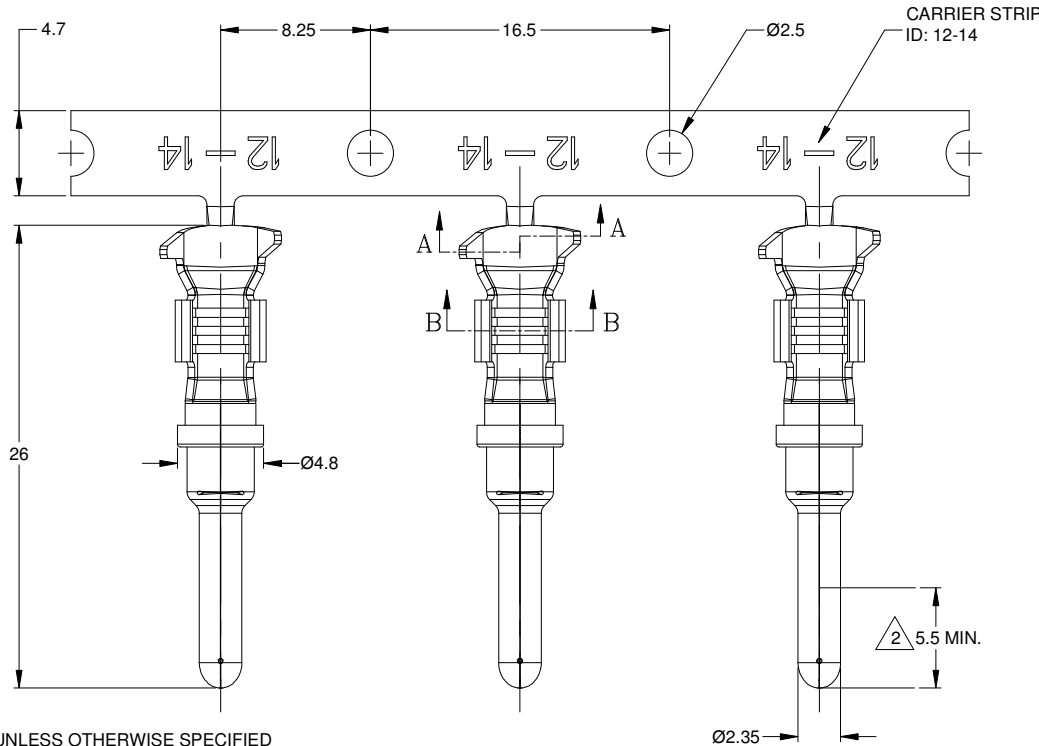
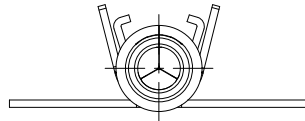


REVISIONS					
REV	ECO	DESCRIPTION	DATE	BY	APPR
A3	-	RELEASE NEW DWG FORMAT	21/OCT/13	DRP	-
A4	-	REVISED PLATING INFO	16/JUN/16	JAH	-



NOTES: UNLESS OTHERWISE SPECIFIED

- MATERIAL: COPPER ALLOY
- PLATING: SEE PART NUMBER CHART
*FOR GOLD PLATED CONTACTS: SELECTIVE GOLD FLASH IN CONTACT ZONE ONLY.
- CONTACT SIZE: 12
- SPECIFICATIONS:
 - CURRENT RATING: 25 AMPS
 - CONTACT MILLIVOLT DROP: 100 MILLIVOLT DROP @ 25 AMP TEST CURRENT.
 - RoHS COMPLIANT
- RECOMMENDED WIRE RANGE: 12 - 14 AWG
- PACKAGE: 2000 PCS/REEL
- AVAILABLE APPLICATORS: MFX-3973-K OR MFX-3973-G
- ALL DIMENSIONS ARE FOR REFERENCE USE ONLY



PART NUMBER CHART	
PLATING	PART NUMBER
NICKEL	AT60-12-0166
GOLD	AT60-12-0144

SEE PART NUMBER CHART		DESCRIPTION	ITEM																												
QUANTITY	PART NUMBER																														
<table border="1"> <thead> <tr> <th colspan="2">UNLESS OTHERWISE SPECIFIED:</th> <th>SIGNATURES</th> <th>DATE</th> </tr> </thead> <tbody> <tr> <td colspan="2">1) All dimensions are in metric (mm).</td> <td>D. PARKS</td> <td>21/OCT/13</td> </tr> <tr> <td colspan="2">2) Tolerances are as follows:</td> <td>CHECKED:</td> <td></td> </tr> <tr> <td>1 PL DEC ± 0.30</td> <td>Fractions $\pm 1/64$</td> <td>ENGINEER:</td> <td></td> </tr> <tr> <td>2 PL DEC ± 0.15</td> <td>Angles $\pm 1^\circ$</td> <td>APPROVAL:</td> <td></td> </tr> <tr> <td>3 PL DEC ± 0.08</td> <td></td> <td>CUSTOMER:</td> <td></td> </tr> <tr> <td colspan="2">3) Note reference = </td> <td colspan="2">THIS DRAWING IS SUPPLIED FOR INFORMATION ONLY. DESIGN FEATURES, SPECIFICATIONS AND PERFORMANCE DATA SHOWN HEREON ARE THE PROPERTY OF THE AMPHENOL CORPORATION. NO RIGHTS OF REPRODUCTION ARE IMPLIED. ALL DIMENSIONS ARE SUBJECT TO NORMAL MANUFACTURING VARIATIONS.</td> </tr> </tbody> </table>				UNLESS OTHERWISE SPECIFIED:		SIGNATURES	DATE	1) All dimensions are in metric (mm).		D. PARKS	21/OCT/13	2) Tolerances are as follows:		CHECKED:		1 PL DEC ± 0.30	Fractions $\pm 1/64$	ENGINEER:		2 PL DEC ± 0.15	Angles $\pm 1^\circ$	APPROVAL:		3 PL DEC ± 0.08		CUSTOMER:		3) Note reference =		THIS DRAWING IS SUPPLIED FOR INFORMATION ONLY. DESIGN FEATURES, SPECIFICATIONS AND PERFORMANCE DATA SHOWN HEREON ARE THE PROPERTY OF THE AMPHENOL CORPORATION. NO RIGHTS OF REPRODUCTION ARE IMPLIED. ALL DIMENSIONS ARE SUBJECT TO NORMAL MANUFACTURING VARIATIONS.	
UNLESS OTHERWISE SPECIFIED:		SIGNATURES	DATE																												
1) All dimensions are in metric (mm).		D. PARKS	21/OCT/13																												
2) Tolerances are as follows:		CHECKED:																													
1 PL DEC ± 0.30	Fractions $\pm 1/64$	ENGINEER:																													
2 PL DEC ± 0.15	Angles $\pm 1^\circ$	APPROVAL:																													
3 PL DEC ± 0.08		CUSTOMER:																													
3) Note reference =		THIS DRAWING IS SUPPLIED FOR INFORMATION ONLY. DESIGN FEATURES, SPECIFICATIONS AND PERFORMANCE DATA SHOWN HEREON ARE THE PROPERTY OF THE AMPHENOL CORPORATION. NO RIGHTS OF REPRODUCTION ARE IMPLIED. ALL DIMENSIONS ARE SUBJECT TO NORMAL MANUFACTURING VARIATIONS.																													
		<p>Amphenol</p> <p>Sine Systems - www.amphenol-sine.com 44724 Morley Drive Clinton Township, MI 48036</p>																													
		<p>CONTACT, PIN, STAMPED, SIZE 12, 12-14 AWG, ATP & AHD-6 SERIES</p>																													
	SIZE	TYPE	DWG NO.																												
	B	C-	AT60-12-01XX																												
	SCALE	NONE																													
			REVISION																												
			A4																												
		SHEET	1 OF 1																												

TITLE: PIN, STAMPED, SIZE 12, 12-14 AWG, ATP & AHD-6 SERIES
DWG NO.: AT60-12-01XX
REV: A4
SH: 1
OF: 1