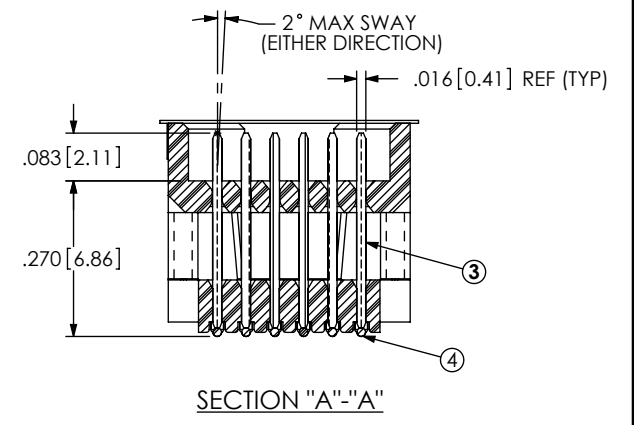
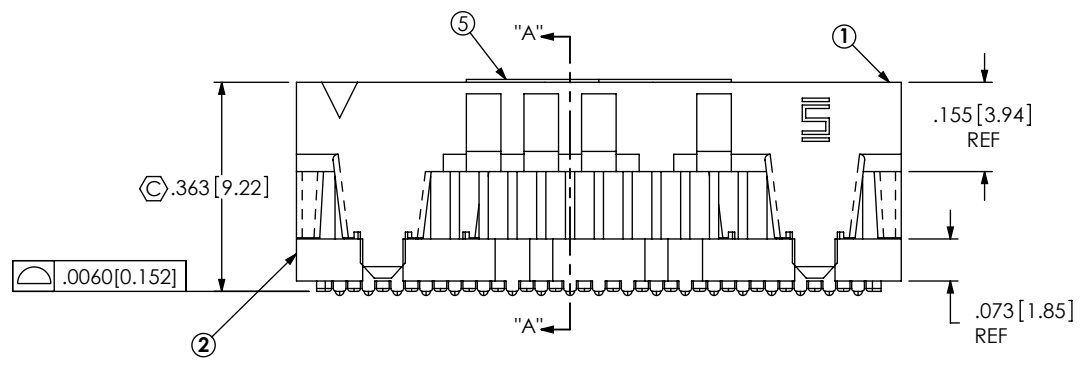
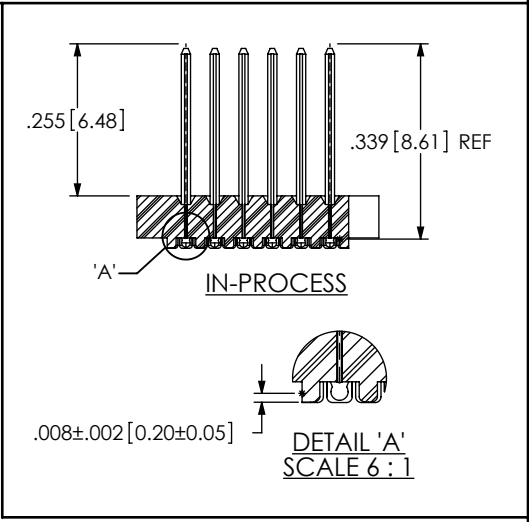
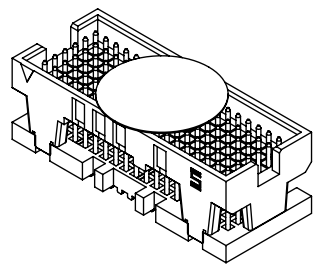
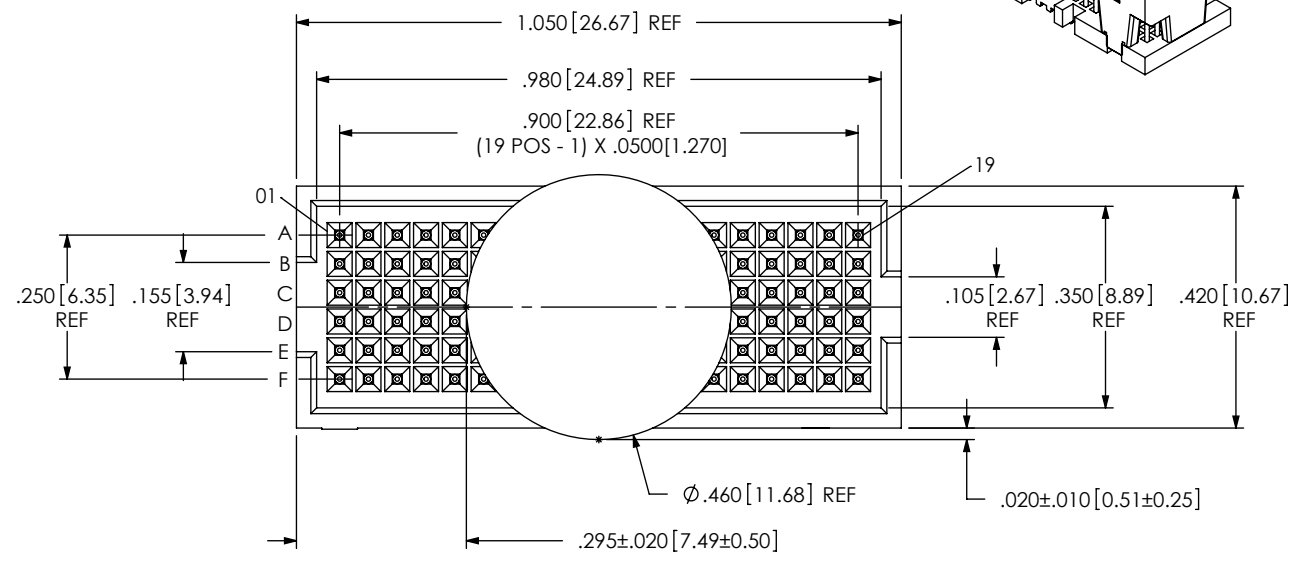


**REVISION Q**

DO NOT SCALE FROM THIS PRINT

- NOTES:**
1. CUSTOM FOR VARIATION OF VITA 42 XMC STANDARD & ITEMS -1, -2, & -3 NOT AVAILABLE AS STANDARD.
  2. Ⓞ REPRESENTS A CRITICAL DIMENSION.
  3. MAXIMUM BURR ALLOWANCE: .0015[0.038]
  4. MAXIMUM CUT FLASH: .010[0.25]
  5. MINIMUM PUSHOUT FORCE: .5 LB
  6. MAXIMUM ALLOWABLE BOW; TOP/BOTTOM: .004[0.10], SIDE/SIDE: .003[0.08].
  7. PARTS TO BE PACKAGED IN TAPE & REEL. FOR QTY'S LESS THAN 125 PCS, NO TRAILER OR LEADER WILL BE SUPPLIED.

**ANY REV MADE TO THIS PRINT MUST HAVE AN UPDATED MKT PRINT**



| ITEM NO. | PART NUMBER       | QTY    | MATERIAL                  |
|----------|-------------------|--------|---------------------------|
| 1        | ASP-103598-01-B   | 1.0000 | UL 94 V0, COLOR: BLACK    |
| 2        | ASP-103599-01-B   | 1.0000 | UL 94 V0, COLOR: BLACK    |
| 3        | ASP-104554-02-P-H | 114.00 | BRASS ALLOY 260, 3/4 HARD |
| 4        | SBD-030-6337      | 114.00 | 63% TIN /37% LEAD         |
| 5        | K-850-650         | 1.0000 | POLYIMIDE FILM            |
| 6        | CT-ASP1134MS      | .0057  | CONDUCTIVE POLYMER        |

UNLESS OTHERWISE SPECIFIED, DIMENSIONS ARE IN INCHES.

TOLERANCES ARE:  
 DECIMALS ANGLES  
 .XX: ±.01[0.3] 2°  
 .XXX: ±.005[0.13]  
 .XXXX: ±.0020[0.051]

**PROPRIETARY NOTE**

THIS DOCUMENT CONTAINS CONFIDENTIAL AND PROPRIETARY INFORMATION AND ALL DESIGN, MANUFACTURING, REPRODUCTION, USE, PATENT RIGHTS AND SALES RIGHTS ARE EXPRESSLY RESERVED BY SAMTEC, INC. THIS DOCUMENT SHALL NOT BE DISCLOSED, IN WHOLE OR PART, TO ANY UNAUTHORIZED PERSON OR ENTITY NOR REPRODUCED, TRANSFERRED OR INCORPORATED IN ANY OTHER PROJECT IN ANY MANNER WITHOUT THE EXPRESS WRITTEN CONSENT OF SAMTEC, INC.



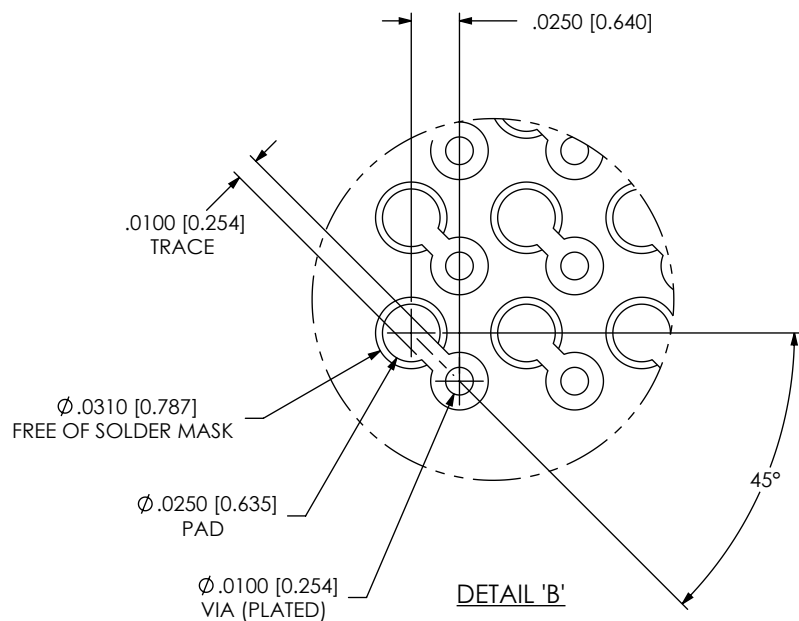
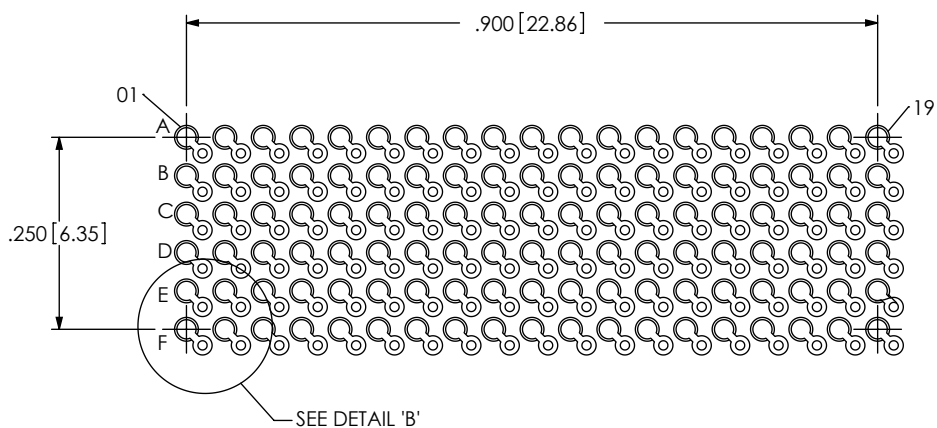
520 PARK EAST BLVD, NEW ALBANY, IN 47150  
 PHONE: 812-944-6733 FAX: 812-948-5047  
 e-Mail: info@SAMTEC.com code 55322

DO NOT SCALE DRAWING SHEET SCALE: 3:1  
 PLATING ON ENTIRE TERMINAL:  
 .00030 GOLD OVER .000050 NICKEL

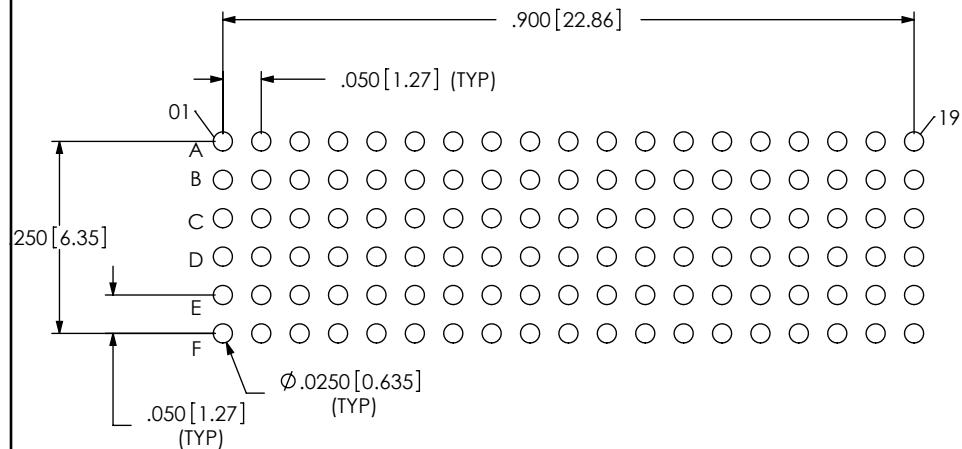
DESCRIPTION: VITA 42 (LEADED) 10MM MATED SOCKET ASSEMBLY

DWG. NO. ASP-103614-01

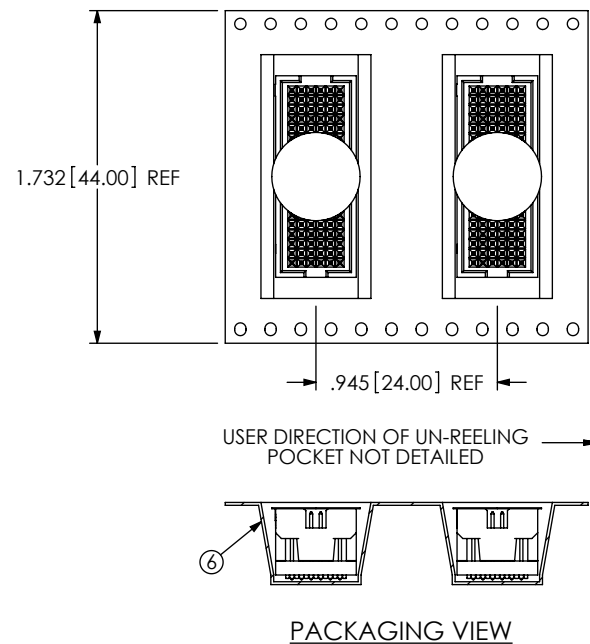
BY: CLAY W 10/18/2002 SHEET 1 OF 2



RECOMMENDED BOARD LAYOUT



RECOMMENDED STENCIL LAYOUT  
STENCIL TO BE .0060 [0.152] THICK



PROPRIETARY NOTE  
THIS DOCUMENT CONTAINS CONFIDENTIAL AND PROPRIETARY INFORMATION AND ALL DESIGN, MANUFACTURING, REPRODUCTION, USE, PATENT RIGHTS AND SALES RIGHTS ARE EXPRESSLY RESERVED BY SAMTEC, INC. THIS DOCUMENT SHALL NOT BE DISCLOSED, IN WHOLE OR PART, TO ANY UNAUTHORIZED PERSON OR ENTITY NOR REPRODUCED, TRANSFERRED OR INCORPORATED IN ANY OTHER PROJECT IN ANY MANNER WITHOUT THE EXPRESS WRITTEN CONSENT OF SAMTEC, INC.

**samtec**

520 PARK EAST BLVD., NEW ALBANY, IN 47150  
PHONE: 812-944-6733 FAX: 812-948-5047  
e-Mail: info@SAMTEC.com code 55322

SHEET SCALE: 4:1

DESCRIPTION:  
VITA 42 (LEADED) 10MM MATED SOCKET ASSEMBLY

DWG. NO.  
ASP-103614-01