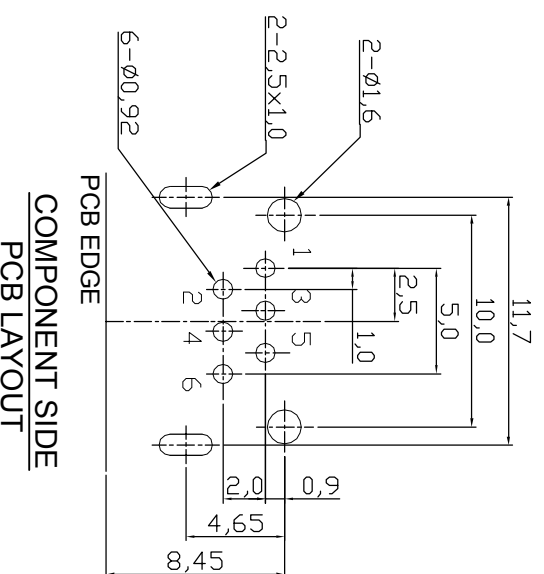
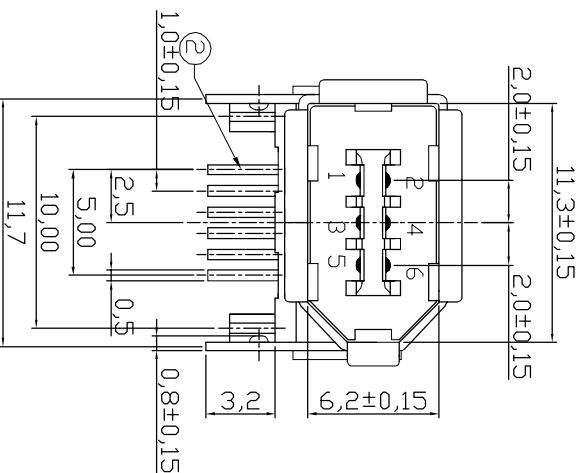
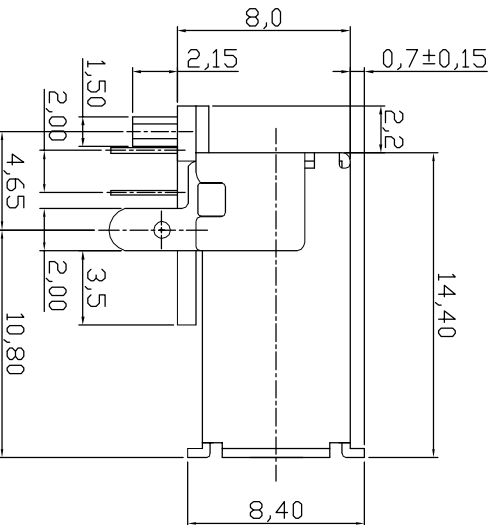


NO.	Name	Material	Finish	Q'TY
1	Housing	PBT UL 94V-0	Black	1
2	Pin Terminal	Brass t=0.25	Gold:30u" Ni:80~120u" Sn:120~200u"	6
3	Shell	Brass t=0.4	Ni:80~120u"	1



**RoHS compliant**  
Unit: mm

Scale	Free	Customer-No.	
TOLERANCE		Drawn	07.07.2009
X.	±0.38	Approved	26.04.2018
X.	±0.25		
XX	±0.13		
DIM		ASSMANN WSW-No.	
TOL		A-I-ES-DIP-C	
X.°	±3°	Drawing-No.	
X.°	±1°	ASS 3560 CO	
Angle	TOL	Replace	
		SHEET	



Date	Name	Customer-No.
29.07.2013	Any	
07.07.2009	Dean	
26.04.2018	Winnie	

Modification	Date	Name
Update the new drawing	29.07.2013	Any
Drawn	07.07.2009	Dean
	26.04.2018	Winnie

1	2	3	4	5	6	7
1	2	3	4	5	6	7
H	G	F	E	D	C	B
H	G	F	E	D	C	B