

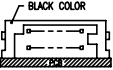
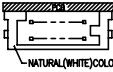
FCI CONFIDENTIAL

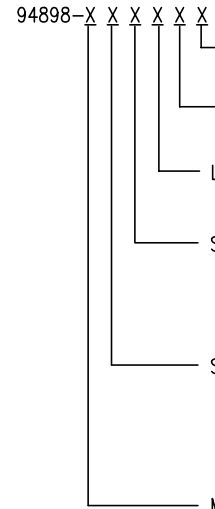
FCI

FCI

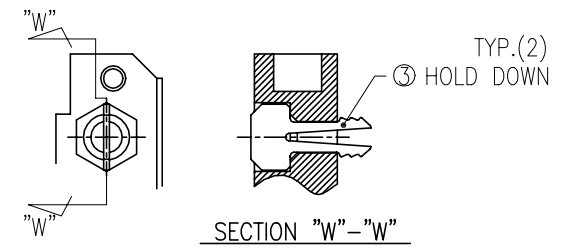
PRODUCT NO.

94898

PRODUCT NO.	STAND OFF	SOLDER TAIL	DIM "P" (mm)	DIM "Q" (mm)	FOR LOWER DECK OR UPPER DECK	HOLD DOWN	SHEET NO.	MOUNTING STYLE TO PCB		
94898-XXXX	DIM "M" (mm)									
000	0	R/A	2.8	--	LOWER	NONE	NO.2	TOP MOUNT 94898-0XXX		
000LF	0	R/A	2.8	--	LOWER	NONE				
000MLF	0	R/A	2.8	--	LOWER	NONE				
000H	0	R/A	2.8	--	LOWER	YES				
000HLF	0	R/A	2.8	--	LOWER	YES				
001	0	SMT STAGGERED	--	--	LOWER	NONE				
001LF	0	SMT STAGGERED	--	--	LOWER	NONE				
001H	0	SMT STAGGERED	--	--	LOWER	YES				
001HLF	0	SMT STAGGERED	--	--	LOWER	YES				
002	0	SMT IN LINE	--	--	LOWER	NONE				
002LF	0	SMT IN LINE	--	--	LOWER	NONE				
002H	0	SMT IN LINE	--	--	LOWER	YES				
002HLF	0	SMT IN LINE	--	--	LOWER	YES				
010	4	R/A	2.8	--	LOWER	NONE	NO.3	BLACK COLOR 		
010LF	4	R/A	2.8	--	LOWER	NONE				
020	5	R/A	2.8	--	LOWER	NONE				
020LF	5	R/A	2.8	--	LOWER	NONE				
020MLF	5	R/A	2.8	--	LOWER	NONE				
021MLF	5	R/A	2.8	--	LOWER	NONE				
040	2	R/A	2.5	--	LOWER	NONE				
040MLF	2	R/A	2.5	--	LOWER	NONE				
040LF	2	R/A	2.5	--	LOWER	NONE				
005	FDR 0	R/A	2.8	8.6	UPPER	NONE			NO.4	
005LF	FDR 0	R/A	2.8	8.6	UPPER	NONE				
045	FDR 2	R/A	2.5	10.3	UPPER	NONE				
045MLF	FDR 2	R/A	2.5	10.3	UPPER	NONE				
045LF	FDR 2	R/A	2.5	10.3	UPPER	NONE				
500	0	R/A	2.8	--	LOWER	NONE	NO.5	BOTTOM MOUNT 94898-5XXX		
500LF	0	R/A	2.8	--	LOWER	NONE				
500H	0	R/A	2.8	--	LOWER	YES				
500HLF	0	R/A	2.8	--	LOWER	YES				
501	0	SMT STAGGERED	--	--	LOWER	NONE				
501LF	0	SMT STAGGERED	--	--	LOWER	NONE				
501H	0	SMT STAGGERED	--	--	LOWER	YES				
501HLF	0	SMT STAGGERED	--	--	LOWER	YES				
502	0	SMT IN LINE	--	--	LOWER	NONE				
502J	0	SMT IN LINE	--	--	LOWER	NONE				
502LF	0	SMT IN LINE	--	--	LOWER	NONE				
502H	0	SMT IN LINE	--	--	LOWER	YES				
502HLF	0	SMT IN LINE	--	--	LOWER	YES				
510	4	R/A	2.8	--	LOWER	NONE	NO.6	NATURAL (WHITE) COLOR 		
510LF	4	R/A	2.8	--	LOWER	NONE				
520	5	R/A	2.8	--	LOWER	NONE				
520LF	5	R/A	2.8	--	LOWER	NONE				
530	2	R/A	1.48	--	LOWER	NONE				
530LF	2	R/A	1.48	--	LOWER	NONE				
540	2	R/A	2.5	--	LOWER	NONE				
540LF	2	R/A	2.5	--	LOWER	NONE				
505	FDR 0	R/A	2.8	8.6	UPPER	NONE			NO.7	
505LF	FDR 0	R/A	2.8	8.6	UPPER	NONE				
535	FDR 2	R/A	1.48	9.28	UPPER	NONE				
535LF	FDR 2	R/A	1.48	9.28	UPPER	NONE				
545	FDR 2	R/A	2.5	10.3	UPPER	NONE				
545LF	FDR 2	R/A	2.5	10.3	UPPER	NONE				



- OPTIONAL LEED FREE NONE : N □
LF : YES
- OPTIONAL HOLD DOWN NONE : N □
H : YES (SEE FIGURE OF -xxxH)
- LOW COST VERSION NONE : N □
M : YES (DETAIL AS COMPONENT)
- SOLDER TAIL 0 : R/A (FOR LOWER & SINGLE)
1 : SMT STAGGERED (FOR LOWER ONLY)
2 : SMT IN LINE (FOR LOWER ONLY)
5 : R/A (FOR UPPER ONLY)
- STAND OFF 0 : 0mm
1 : 4mm
2 : 5mm
3 : 2mm (SPECIAL TAIL LENGTH)
4 : 2mm
- MOUNTING STYLE 0 : TOP MOUNTING
5 : BOTTOM MOUNTING



94898-xxxH
(OPTIONAL HOLD DOWN)

NOTES
1. PRODUCT SPEC:110-263

mat'l. code		surface ISO 1302		tolerance ISO 406 ISO 1101		projection MM		product family PCMCIA	
ltr ecn no dr date		tolerances unless other		wise specified		title		86 POS EJECTOR HEADER ASSY FOR LOW VOLTAGE	
J	N06-0065	M.Z	04/02/06	angles	linear	0.X±0.3	MM		
K	N07-0219	M.Z	12/07/07	±2'		0.XX±0.13			
L	N08-0041	M.Z	03/10/08			0.XXX±0.05	scale 1:1		
M	N08-0219	M.Z	10/10/08	dr	M.Hasegawa	2/24/05	dwg no 94898 sheet 1 of 7 size A4		
N	N09-0045	SH	05/25/09	engr	M.Hasegawa	2/24/05			
P	ELX-N-007954	ZK	11/01/11	chr					
R	ELX-N-011436	ZK	04/23/12	appd			type CUSTOMER Drawing		
sheet index	revision sheet	R	R	R	R	R	R		
		1	2	3	4	5	6		

This document is the property of and embodies CONFIDENTIAL and PROPRIETARY information of FCI. No part of this information shown on this document may be used in any way or disclosed to others without the written consent of FCI. Copyright FCI.

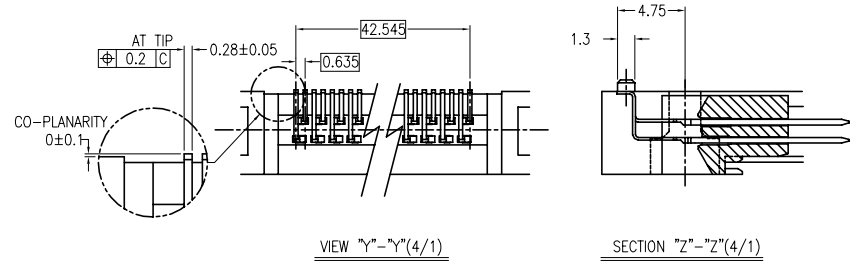
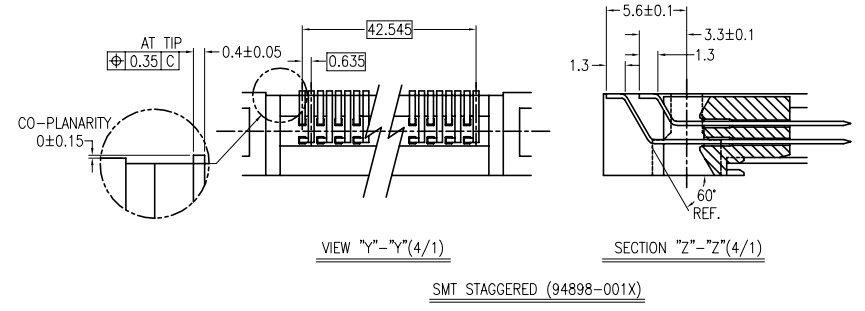
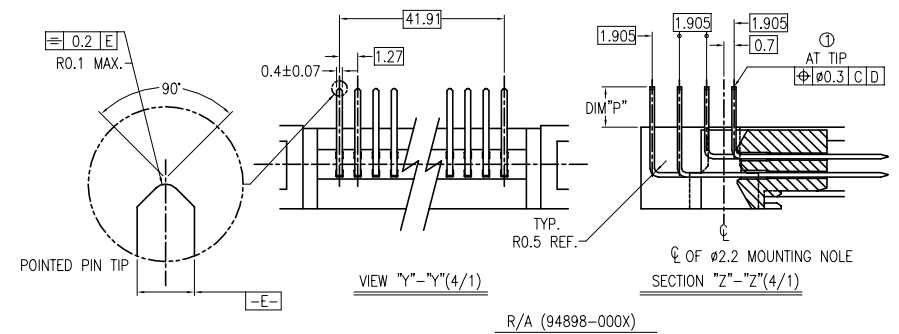
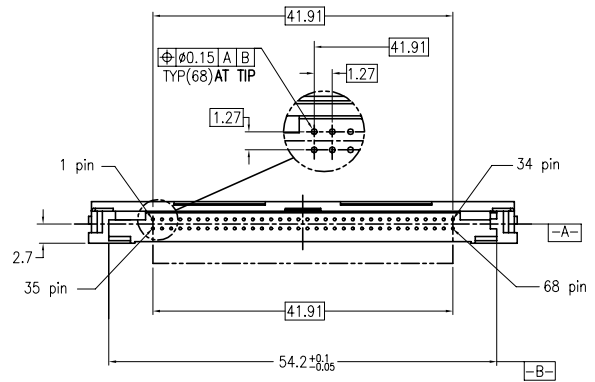
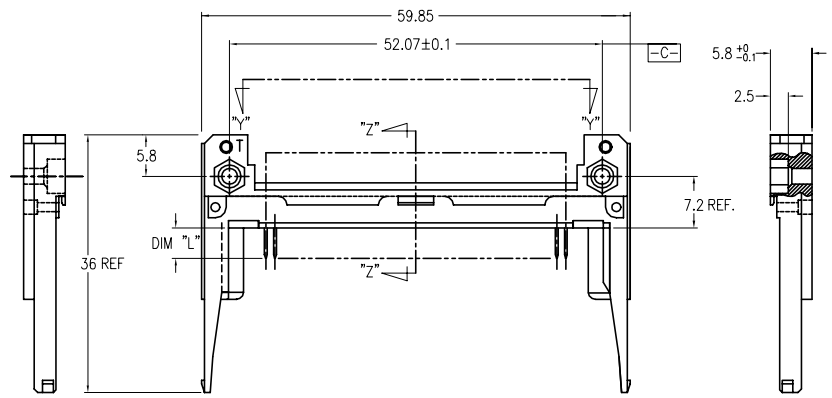
FCI CONFIDENTIAL

FCI

This document is the property of and embodies CONFIDENTIAL and PROPRIETARY information of FCI. No part of this information shown on this document may be used in any way or disclosed to others without the written consent of FCI.

FCIconnect.com

PRODUCT NO.
94898-000
94898-000LF
94898-000H
94898-000HLF
94898-000MLF
94898-001
94898-001LF
94898-001H
94898-001HLF
94898-002
94898-002LF
94898-002H
94898-002HLF



NOTES

- TRUE POSITION IS A FREE GRID TO PIN PATTERN ITSELF.
 - SEE TA-946 FOR PCB LAYOUT.
 - MATERIAL**
 HOUSING : HIGH TEMPERATURE THERMOPLASTIC UL94V-0 BLACK
 PIN : COPPER ALLOY.
 HOLD-DOWN : BRASS
 - FINISH**
 PIN
 UNDER PLATING : 0.5µm MIN. Ni.
 CONTACT AREA : 0.076 µm MIN. GOLD
 SOLDER AREA : 2.5µm MIN. Sn-Pb.
 OR 2.5µm MIN. PURE Sn.(FOR -XXXLF)
 HOLD-DOWN : 2.5µm MIN. PURE Sn.
 - RECOMMENDED PCB HOLE (OPTIONAL HOLD-DOWN) : 2.3±0.1
 - SEQUENCE PIN ASSIGNMENT
- | PIN No. | DIM "L" | | |
|---------|----------|---------|---------|
| | 4.25±0.1 | 3.5±0.1 | 5.0±0.1 |
| OTHERS | 36.67 | 1.7734 | 35.5168 |
- GENERAL TOLERANCE : ±0.3
 - SEE SHEET 1 REGARDING COMPONENTS.
 - IF LEAD FREE P/N, THE HOUSING WILL WITHSTAND EXPOSURE TO 260° C PEAK TEMPERATURE FOR 10 SECONDS IN A WAVE SOLDER APPLICATION WITH A 1.00MM MINIMUM THICK CIRCUIT BOARD.
 - LEAD FREE PRODUCT MEETS EUROPEAN UNION DIRECTIVES AND OTHER COUNTRY REGULATIONS AS DISCRIBLED IN GS-22-008
 - IF LEAD FREE P/N, PACKAGE MEETS GS-14-920 SPECIFICATION

mat'l. code		surface ISD 1302		tolerance ISD 406 ISD 1101		projection		product family PCMCIA	
l	tr	ec	n	o	dr	date	tolerances unless otherwise specified		
R				angles	linear	±2'	0.X±0.3	0.XX±0.13	0.XXX±0.05
				dr	M.Hasegawa	2/24/05	MM		scale 1:1
				eng	M.Hasegawa	2/24/05	FCI		868 POS EJECTOR HEADER ASSY FOR LOW VOLTAGE
				chr			dwg no	94898	sheet 2 of 7
				app			size	A4	
sheet index	revision sheet						type CUSTOMER		Drawing

FCI CONFIDENTIAL

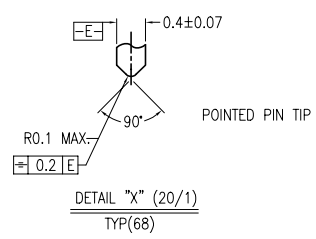
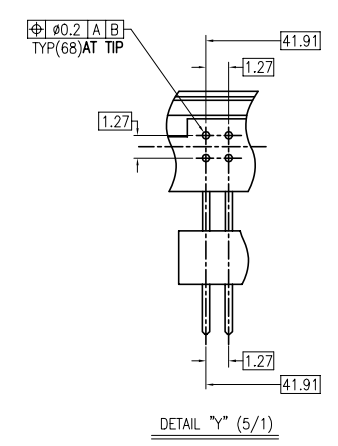
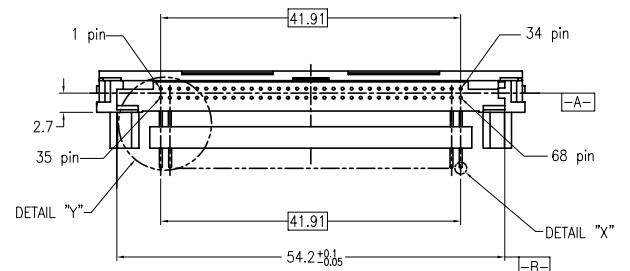
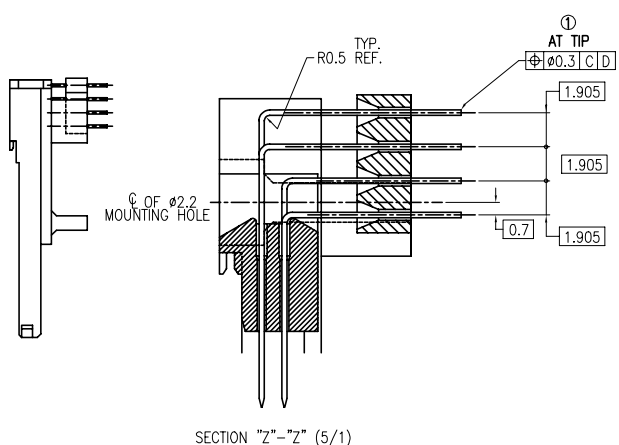
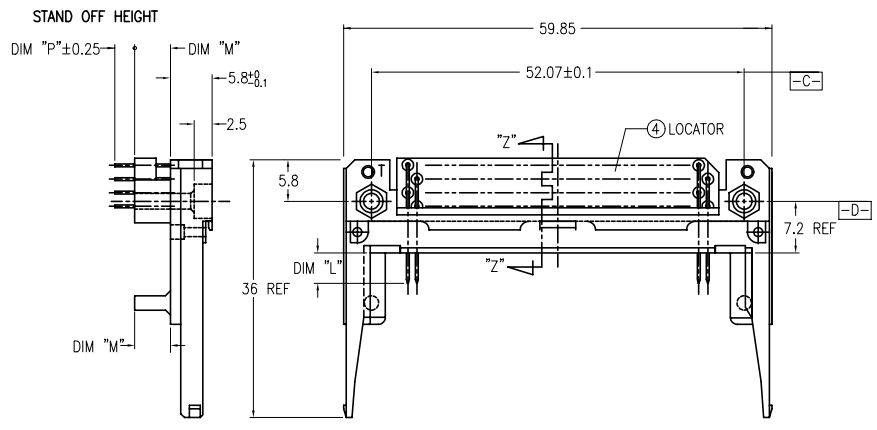


This document is the property of and embodies CONFIDENTIAL and PROPRIETARY information of FCI. No part of this information shown on this document may be used in any way or disclosed to others without the written consent of FCI.



Copyright FCI

PRODUCT NO.
94898-010
94898-010LF
94898-020/020M
94898-020LF/020MLF
94898-021MLF
94898-040
94898-040LF/040MLF



1. TRUE POSITION IS A FREE GRID TO PIN PATTERN ITSELF.
2. SEE TA-946 FOR PCB LAYOUT.
3. MATERIAL
HOUSING : HIGH TEMPERATURE THERMOPLASTIC UL94V-0 BLACK
PIN : COPPER ALLOY.
HOLD-DOWN : BRASS
4. FINISH
PIN
UNDER PLATING : 0.5µm MIN. Ni.
CONTACT AREA : 0.076 µm MIN. GOLD
SOLDER AREA : 2.5µm MIN. Sn-Pb.
OR 2.5µm MIN. PURE Sn.(FOR -XXXLF)
HOLD-DOWN : 2.5µm MIN. PURE Sn.
5. RECOMMENDED PCB HOLE (OPTIONAL HOLD-DOWN) : 2.3±0.1
6. SEQUENCE PIN ASSIGNMENT

PIN No.	DIM "L"		
	4.25±0.1	3.5±0.1	5.0±0.1
OTHERS	36.67	1.17.34	35.51.68

7. GENERAL TOLERANCE : ±0.3
8. SEE SHEET 1 REGARDING COMPONENTS.
9. IF LEAD FREE P/N, THE HOUSING WILL WITHSTAND EXPOSURE TO 260° C PEAK TEMPERATURE FOR 10 SECONDS IN A WAVE SOLDER APPLICATION WITH A 1.00MM MINIMUM THICK CIRCUIT BOARD.
10. LEAD FREE PRODUCT MEETS EUROPEAN UNION DIRECTIVES AND OTHER COUNTRY REGULATIONS AS DISCRIBLED IN GS-22-008
11. IF LEAD FREE P/N, PACKAGE MEETS GS-14-920 SPECIFICATION
12. "M" SHOWS IT IS LOW COST VERSION, IT IS OPTIONAL AND IN FIRST OF LETTER OF PART NO., SUCH AS 94898-020MLF IS LOW COST VERSION 94898-020LF IS NOT LOW COST VERSION.

mat'l. code		surface ISD 1302		tolerance ISD 406 ISD 1101		projection MM		product family PCMCIA	
ltr ecn no dr date		tolerances unless otherwise specified		title		scale 1:1		68 POS EJECTOR HEADER ASSY FOR LOW VOLTAGE	
R		angles	linear	0.X±0.3	0.XX±0.13	MM		dwg no 94898 sheet 3 of 7 size A4	
		±2'		0.XXX±0.05				type CUSTOMER Drawing	
		dr	eng	chr	app	FCI			
		M.Hasegawa	M.Hasegawa						
		2/24/05	2/24/05						
sheet index	revision sheet								

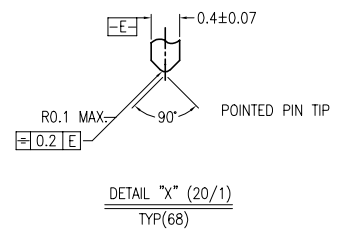
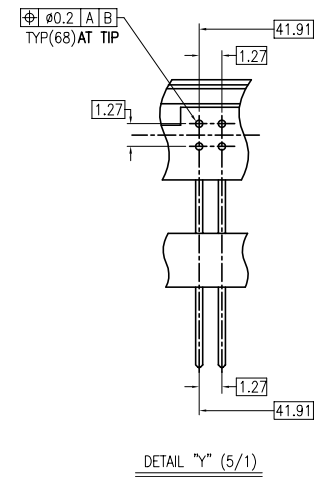
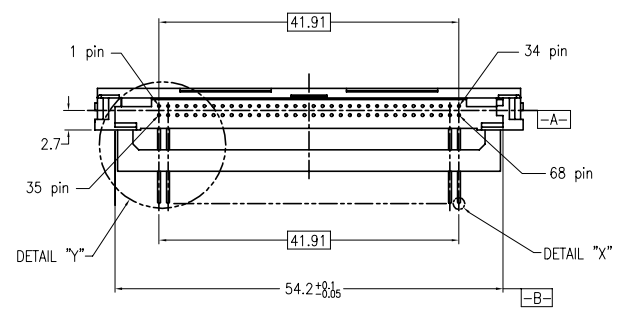
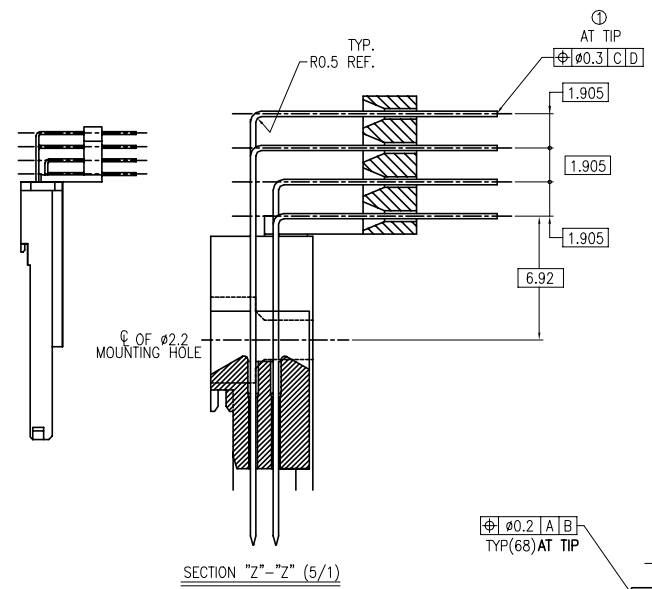
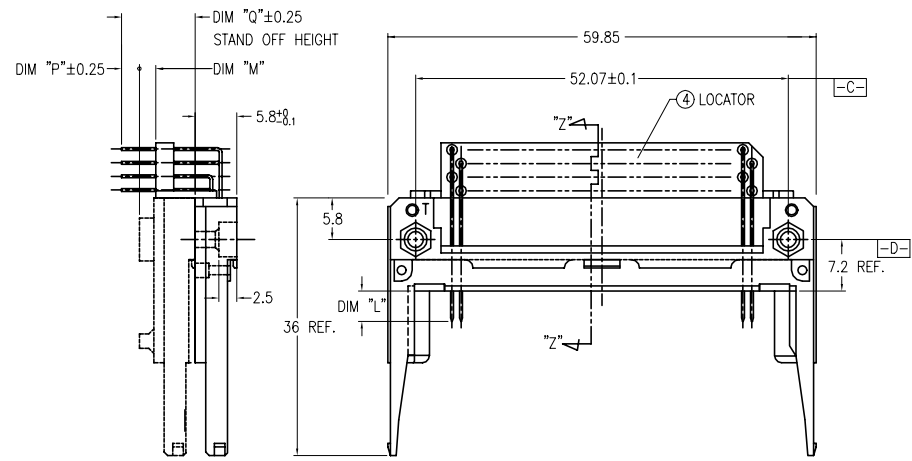
FCI CONFIDENTIAL

FCI

This document is the property of and embodies CONFIDENTIAL and PROPRIETARY information of FCI. No part of this information shown on this document may be used in any way or disclosed to others without the written consent of FCI.

FCIconnect.com

PRODUCT NO.
94898-005
94898-005LF
94898-045
94898-045LF



NOTES

- TRUE POSITION IS A FREE GRID TO PIN PATTERN ITSELF.
- SEE TA-946 FOR PCB LAYOUT.
- MATERIAL
 HOUSING : HIGH TEMPERATURE THERMOPLASTIC UL94V-0 BLACK
 PIN : COPPER ALLOY.
 HOLD-DOWN : BRASS
- FINISH
 PIN
 UNDER PLATING : 0.5µm MIN. Ni.
 CONTACT AREA : 0.076 µm MIN. GOLD

 SOLDER AREA : 2.5µm MIN. Sn-Pb.
 OR 2.5µm MIN. PURE Sn.(FOR -XXXLF)
 HOLD-DOWN : 2.5µm MIN. PURE Sn.
- RECOMMENDED PCB HOLE (OPTIONAL HOLD-DOWN) : 2.3±0.1
- SEQUENCE PIN ASSIGNMENT

PIN No.	DIM "L"		
	4.25±0.1	3.5±0.1	5.0±0.1
OTHERS	36.67	1.7734	35.5188

- GENERAL TOLERANCE : ±0.3
- SEE SHEET 1 REGARDING COMPONENTS.
- IF LEAD FREE P/N, THE HOUSING WILL WITHSTAND EXPOSURE TO 260° C PEAK TEMPERATURE FOR 10 SECONDS IN A WAVE SOLDER APPLICATION WITH A 1.00MM MINIMUM THICK CIRCUIT BOARD.
- LEAD FREE PRODUCT MEETS EUROPEAN UNION DIRECTIVES AND OTHER COUNTRY REGULATIONS AS DISCRIBLED IN GS-22-008
- IF LEAD FREE P/N, PACKAGE MEETS GS-14-920 SPECIFICATION

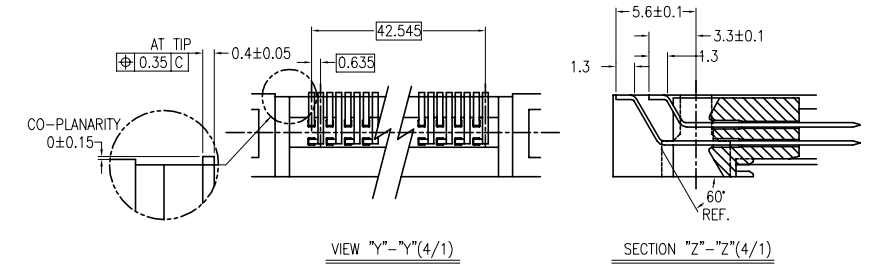
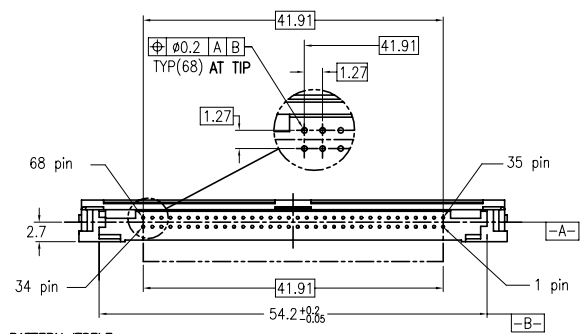
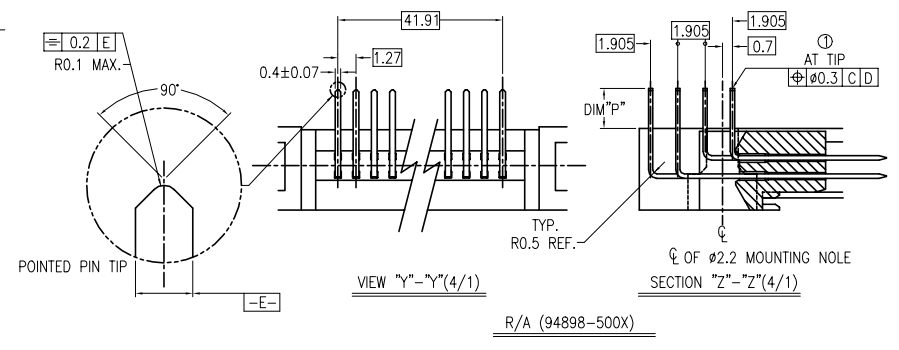
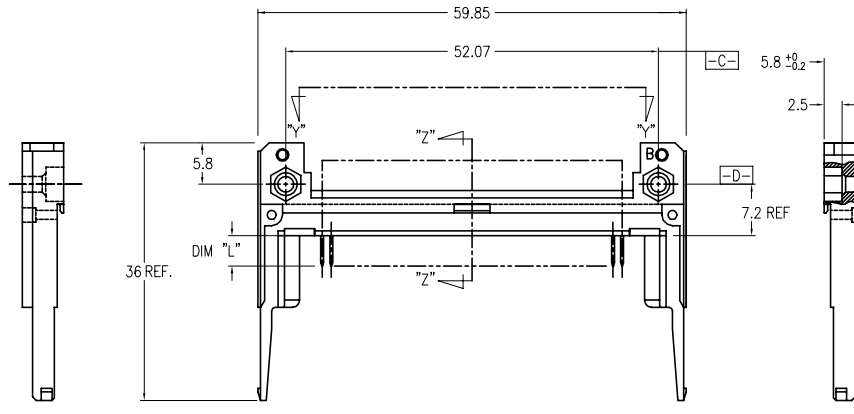
mat'l. code		surface ISO 1302		tolerance ISO 406 ISO 1101		projection MM		product family PCMCIA	
ltr ecn no dr date		tolerances unless other wise specified		angles linear		scale 1:1		title 68 POS EJECTOR HEADER ASSY FOR LOW VOLTAGE	
R		±2'		0.X±0.3 0.XX±0.13 0.XXX±0.05		dwg no 94898		sheet 4 of 7 size A4	
dr M.Hasegawa 2/24/05		engr M.Hasegawa 2/24/05		appd		type CUSTOMER		Drawing	
sheet index		revision sheet							

FCI CONFIDENTIAL

FCI

This document is the property of and embodies CONFIDENTIAL and PROPRIETARY information of FCI. No part of this information shown on this document may be used in any way or disclosed to others without the written consent of FCI. Copyright FCI.

PRODUCT NO.
94898-500
94898-500LF
94898-500H
94898-500HLF
94898-501
94898-501LF
94898-501H
94898-501HLF
94898-502
94898-502J -SEE NOTE 12
94898-502LF
94898-502H
94898-502HLF



NOTES

- TRUE POSITION IS A FREE GRID TO PIN PATTERN ITSELF.
 - SEE TA-946 FOR PCB LAYOUT.
 - MATERIAL**
HOUSING : HIGH TEMPERATURE THERMOPLASTIC UL94V-0 BLACK
PIN : COPPER ALLOY.
HOLD-DOWN : BRASS
 - FINISH PIN**
UNDER PLATING : 0.5µm MIN. Ni.
CONTACT AREA : 0.076 µm MIN. GOLD
SOLDER AREA : 2.5µm MIN. Sn-Pb.
OR 2.5µm MIN. PURE Sn.(FOR -XXXLF)
HOLD-DOWN : 2.5µm MIN. PURE Sn.
 - RECOMMENDED PCB HOLE (OPTIONAL HOLD-DOWN) : 2.3±0.1
 - SEQUENCE PIN ASSIGNMENT
- | PIN No. | DIM "L" | | |
|---------|----------|---------|----------|
| | 4.25±0.1 | 3.5±0.1 | 5.0±0.1 |
| OTHERS | 36.67 | 117.94 | 35.51.68 |
- GENERAL TOLERANCE : ±0.3
 - SEE SHEET 1 REGARDING COMPONENTS.
 - IF LEAD FREE P/N, THE HOUSING WILL WITHSTAND EXPOSURE TO 260° C PEAK TEMPERATURE FOR 10 SECONDS IN A WAVE SOLDER APPLICATION WITH A 1.00MM MINIMUM THICK CIRCUIT BOARD.
 - LEAD FREE PRODUCT MEETS EUROPEAN UNION DIRECTIVES AND OTHER COUNTRY REGULATIONS AS DISCRIBED IN GS-22-008
 - IF LEAD FREE P/N, PACKAGE MEETS GS-14-920 SPECIFICATION
 - THE P/N 94898-502J HAS SPECIAL TRAY, IT IS 10084720-001.

mat'l. code		surface ISD 1302		tolerance ISD 406 ISD 1101		projection		product family PCMCIA	
l	tr	ec	n	o	dr	date	tolerances unless otherwise specified		
R							angles	0.X±0.3	MM
							linear	0.XX±0.13	
							±2'	0.XXX±0.05	scale 1:1
							dr	M.Hasegawa	2/24/05
							eng	M.Hasegawa	2/24/05
							chr		
							app		
sheet index	revision sheet								

dwg no 94898 sheet 5 of 7 size A4
type CUSTOMER Drawing

FCI CONFIDENTIAL

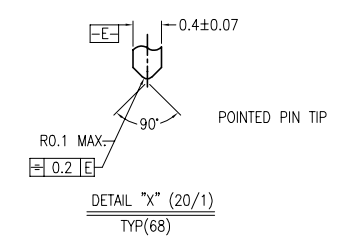
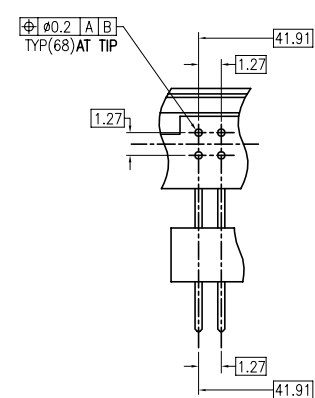
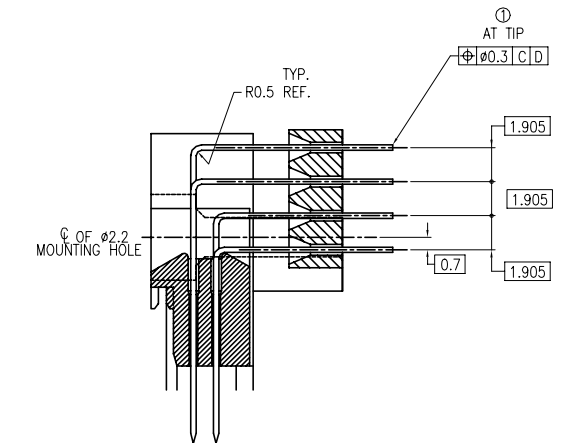
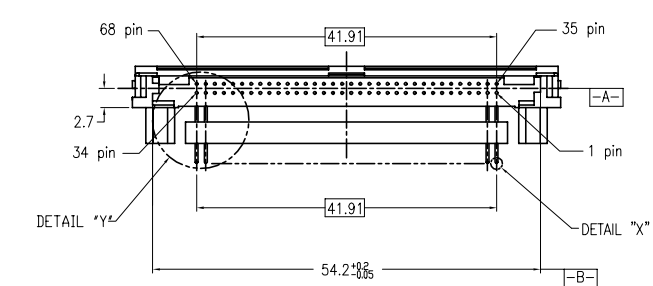
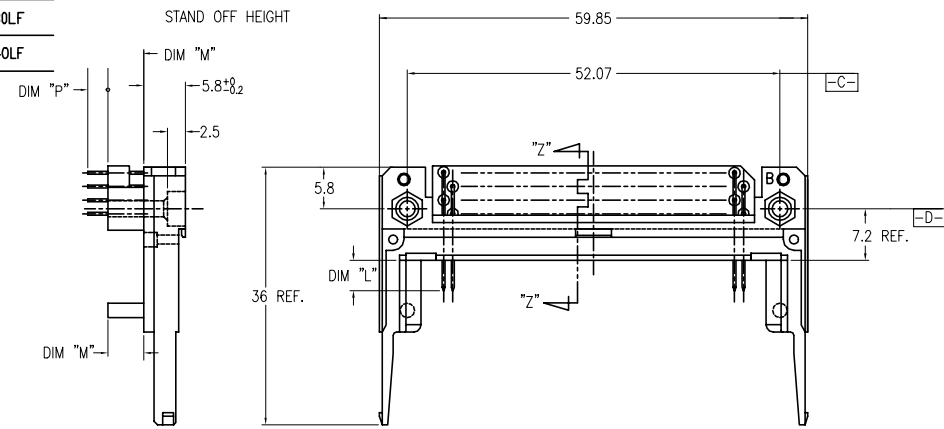


This document is the property of and embodies CONFIDENTIAL and PROPRIETARY information of FCI. No part of this information shown on this document may be used in any way or disclosed to others without the written consent of FCI.



Copyright FCI

PRODUCT NO.	
94898-510	94898-510LF
94898-520	94898-520LF
94898-530	94898-530LF
94898-540	94898-540LF



NOTES

- TRUE POSITION IS A FREE GRID TO PIN PATTERN ITSELF.
- SEE TA-946 FOR PCB LAYOUT.
- MATERIAL
HOUSING : HIGH TEMPERATURE THERMOPLASTIC UL94V-0 BLACK
PIN : COPPER ALLOY.
HOLD-DOWN : BRASS
- FINISH
PIN
UNDER PLATING : 0.5µm MIN. Ni.
CONTACT AREA : 0.076 µm MIN. GOLD

SOLDER AREA : 2.5µm MIN. Sn-Pb.
OR 2.5µm MIN. PURE Sn.(FOR -XXXLF)
HOLD-DOWN : 2.5µm MIN. PURE Sn.
- RECOMMENDED PCB HOLE (OPTIONAL HOLD-DOWN) : 2.3±0.1
- SEQUENCE PIN ASSIGNMENT

PIN No.	DIM "L"	
	4.25±0.1	3.5±0.1
OTHERS	36.67	5.0±0.1
		117.34
		35.51±0.08

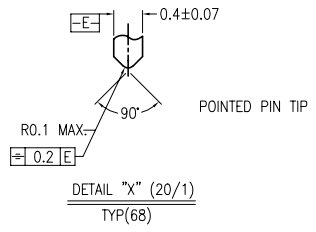
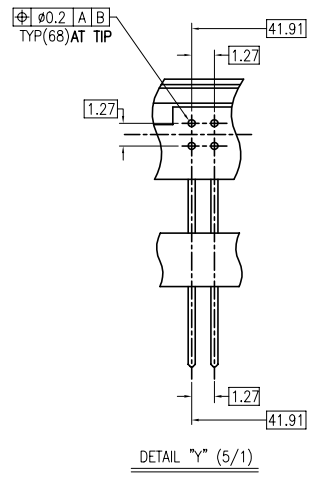
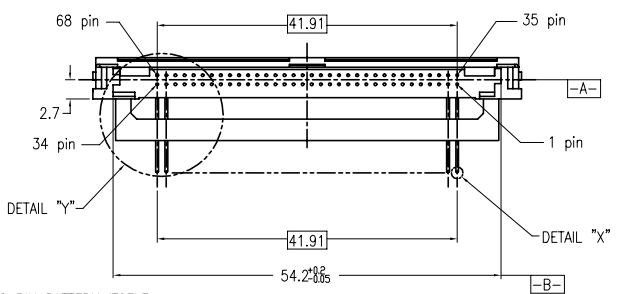
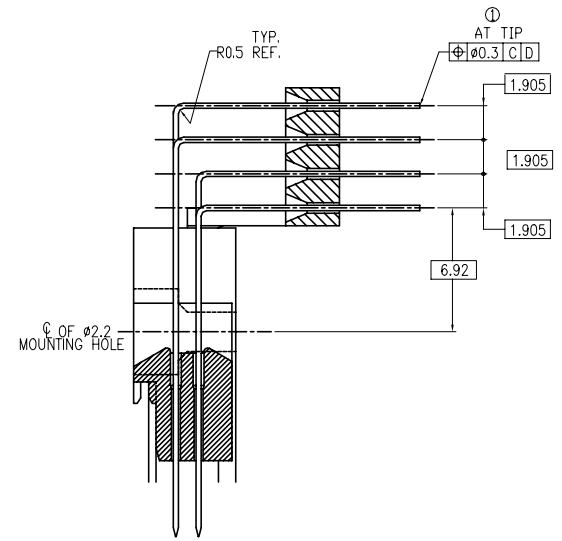
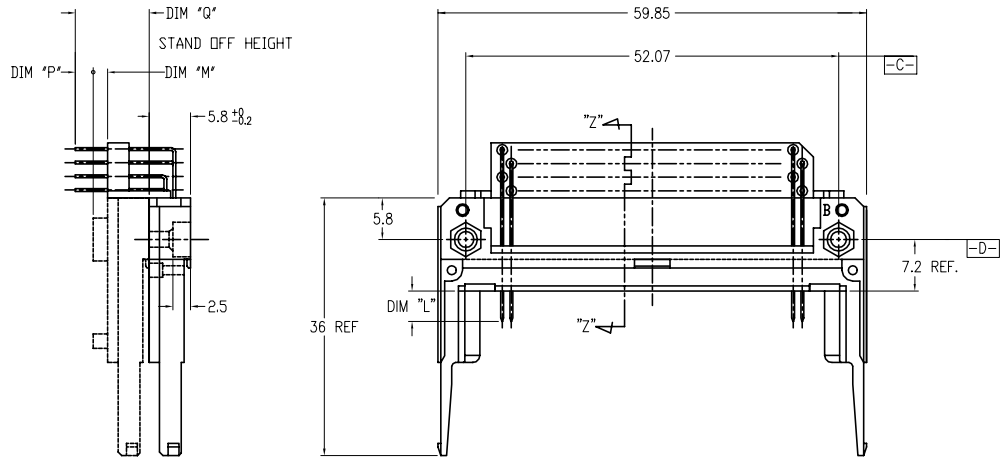
- GENERAL TOLERANCE : ±0.3
- SEE SHEET 1 REGARDING COMPONENTS.
- IF LEAD FREE P/N, THE HOUSING WILL WITHSTAND EXPOSURE TO 260° C PEAK TEMPERATURE FOR 10 SECONDS IN A WAVE SOLDER APPLICATION WITH A 1.00MM MINIMUM THICK CIRCUIT BOARD.
- LEAD FREE PRODUCT MEETS EUROPEAN UNION DIRECTIVES AND OTHER COUNTRY REGULATIONS AS DISCRIBLED IN GS-22-008
- IF LEAD FREE P/N, PACKAGE MEETS GS-14-920 SPECIFICATION

mat'l. code		surface ISD 1302		tolerance ISD 406 ISD 1101		projection		product family PCMCIA	
ltr ecn no dr date		tolerances unless otherwise specified		title		MM		68 POS EJECTOR HEADER ASSY FOR LOW VOLTAGE	
R		angles		0.X±0.3		scale 1:1		dwg no 94898 sheet 6 of 7 size A4	
		linear		0.XX±0.13		FCI		type CUSTOMER Drawing	
		±2'		0.XXX±0.05					
		dr M.Hasegawa 2/24/05							
		engr M.Hasegawa 2/24/05							
		chr							
		appd							
sheet index		revision sheet							

FCI CONFIDENTIAL

FCI
FCIconnect.com

PRODUCT NO.
94898-505
94898-505LF
94898-535
94898-535LF
94898-545
94898-545LF



- NOTES**
- TRUE POSITION IS A FREE GRID TO PIN PATTERN ITSELF.
 - SEE TA-946 FOR PCB LAYOUT.
 - MATERIAL**
 HOUSING : HIGH TEMPERATURE THERMOPLASTIC UL94V-0 BLACK
 PIN : COPPER ALLOY.
 HOLD-DOWN : BRASS
 - FINISH PIN**
 UNDER PLATING : 0.5µm MIN. Ni.
 CONTACT AREA : 0.076 µm MIN. GOLD
 SOLDER AREA : 2.5µm MIN. Sn-Pb.
 OR 2.5µm MIN. PURE Sn.(FOR -XXXLF)
 HOLD-DOWN : 2.5µm MIN. PURE Sn.
 - RECOMMENDED PCB HOLE (OPTIONAL HOLD-DOWN) : 2.3±0.1
 - SEQUENCE PIN ASSIGNMENT

PIN No.	DIM "L"		
	4.25±0.1	3.5±0.1	5.0±0.1
OTHERS	36.67	117.34	35.51.68

- GENERAL TOLERANCE : ±0.3
- SEE SHEET 1 REGARDING COMPONENTS.
- IF LEAD FREE P/N, THE HOUSING WILL WITHSTAND EXPOSURE TO 260° C PEAK TEMPERATURE FOR 10 SECONDS IN A WAVE SOLDER APPLICATION WITH A 1.00MM MINIMUM THICK CIRCUIT BOARD.
- LEAD FREE PRODUCT MEETS EUROPEAN UNION DIRECTIVES AND OTHER COUNTRY REGULATIONS AS DISCRIBLED IN GS-22-008
- IF LEAD FREE P/N, PACKAGE MEETS GS-14-920 SPECIFICATION

mat'l. code	surface ISD 1302	tolerance ISD 406 ISD 1101	projection	product family PCMCIA
tr ecn no dr date	tolerances unless otherwise specified			title
R	angles ±2'	linear 0.X±0.3 0.XX±0.13 0.XXX±0.05	MM scale 1:1	68 POS EJECTOR HEADER ASSY FOR LOW VOLTAGE
dr	M.Hasegawa	2/24/05	FCI	dwg no 94898
engr	M.Hasegawa	2/24/05		sheet 7 of 7
appd				size A4
sheet index	revision sheet		type CUSTOMER	Drawing