

Tous droits strictement reserves. Reproduction ou communication a des tiers interdite sous quelque forme que ce soit sans autorisation écrite du propriétaire.  
 Property of ©BERG ELECTRONICS. Droits de reproduction BERG ELECTRONICS INC.

**BERG**  
ELECTRONICS

All rights strictly reserved. Reproduction or issue to third parties in any form whatever is not permitted without written authority from the proprietor.  
 Property of ©BERG ELECTRONICS Copyright BERG ELECTRONICS INC.

DESCRIPTION: ABOVE & BELOW PCB, DECK AND PUSH ROD LOCATION ARE AS VIEW BY USER.

PRODUCT NO. 93981-XXXX	PUSH-ROD LOCATION		STAND-OFF HEIGHT DIM "L"	DIM "P"	DOUBLE - DECK HEADER 92821-XXX	Ⓑ CLOSEST TO PCB	Ⓒ FARTHEST FROM PCB	MOUNTING STYLE TO PCB AND PUSH-ROD SIDE
	DECK CLOSEST TO PCB	DECK FARTHEST FROM PCB				EJECT MECHANISM 92192-XXXX	EJECT MECHANISM 92192-XXXX	
000CA	LEFT	RIGHT	0.0	2.8	92821-000	10CA	00CA	
020CA	LEFT	RIGHT	2.0	2.5	92821-040	12CA	00CA	
100CA	RIGHT	LEFT	0.0	2.8	92821-000	00CA	10CA	
120CA	RIGHT	LEFT	2.0	2.5	92821-040	02CA	10CA	
200CA	RIGHT	RIGHT	0.0	2.8	92821-000	00CA	00CA	
220CA	RIGHT	RIGHT	2.0	2.5	92821-040	02CA	00CA	
300CA	LEFT	LEFT	0.0	2.8	92821-000	10CA	10CA	
320CA	LEFT	LEFT	2.0	2.5	92821-040	12CA	10CA	
500CA	RIGHT	LEFT	0.0	2.8	92821-500	10CA	00CA	
520CA	RIGHT	LEFT	2.0	2.5	92821-540	12CA	00CA	
600CA	LEFT	RIGHT	0.0	2.8	92821-500	00CA	10CA	
620CA	LEFT	RIGHT	2.0	2.5	92821-540	02CA	10CA	
700CA	RIGHT	RIGHT	0.0	2.8	92821-500	10CA	10CA	
700CP	RIGHT	RIGHT	0.0	2.8	92821-500	10CP	10CP	
720CA	RIGHT	RIGHT	2.0	2.5	92821-540	12CA	10CA	
800CA	LEFT	LEFT	0.0	2.8	92821-500	00CA	00CA	
820CA	LEFT	LEFT	2.0	2.5	92821-540	02CA	00CA	

NOTES:

- EJECT FORCE 3.5kg MAX.
- EJECT TRAVEL - 8.0mm
- HEADER ASSY  
 PLASTIC: HOUSING - LCP UL94V-0 BLACK (ABOVE P.C.B.)  
 - LCP UL94V-0 NATURAL (BELOW P.C.B.)  
 LOCATOR - G.F. 6/6 NYLON UL94V-0  
 BLACK  
 PIN: PHOSPHOR BRONZE  
 EJECT MECHANISM ASSY  
 PLASTIC: GUIDE & PUSH ROD  
 POLYTHARAMIDE UL94V-0 BLACK  
 COVER PLATE: STAINLESS STEEL  
 EMI CONTACT: PHOSPHOR BRONZE
- FINISH - PIN  
 UNDER PLATING: 0.5 μm MIN. Ni  
 CONTACT AREA: 0.1 μm MIN GOLD OVER  
 0.5 μm MIN Pd-Ni  
 SOLDER TAIL: 2.5 μm MIN Sn-Pb

⑤ DIM "X"

4.25±.1	3.5±.1	5.0±.1
OTHERS	36,67	1,17,34,35,51,68

- RECOMMENDED HOLD DOWN - 2mm SCREWS (95121) AND NUTS (92869). SEE FOR CHARTED INFORMATION. RECOMMENDED SCREW TORQUE: 1.0 TO 1.5 MAX in-lbs. (1.2-1.7 cm-kgs).

mat'l. code				tolerances unless otherwise specified			CUSTOMER COPY	BERG ELECTRONICS	
ltr	ecn no	dr	date	linear	.X ±.3	projection		title	
A	V31898	RDS	11/1/93		.XX ±.13		DOUBLE - DECK HEADER EJECT ASSY		
B	V40630	RDS	4/6/94	angles	.XXX ±.051		mm	product family	MCS
C	V41771	RDS	11/8/94		Ø ±.2	scale		size	dwg no
D	V61058	RHG	7/29/96	dr	0.SHEAFFER 9/30/93		1/1	A4	93981
				engr	0.BRANN 11/1/93			code	
				chr	0.BRANN 11/1/93			sheet	
				appd	0.BRANN 11/1/93			1 of 3	
sheet	revision	0	0	0					
index	sheet	1	2	3					

form no. 7530-001-103

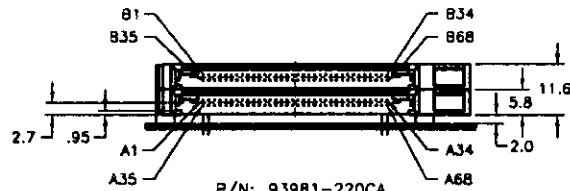
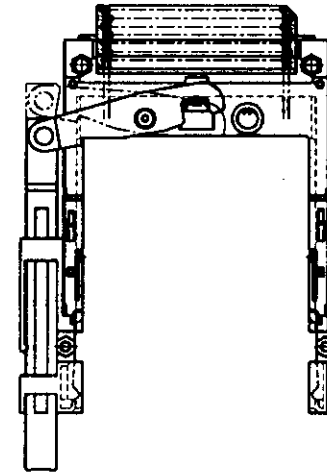
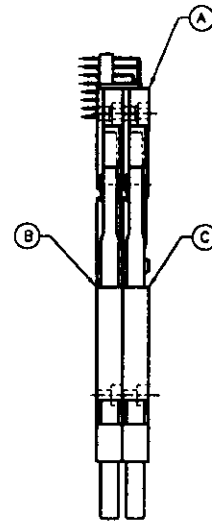
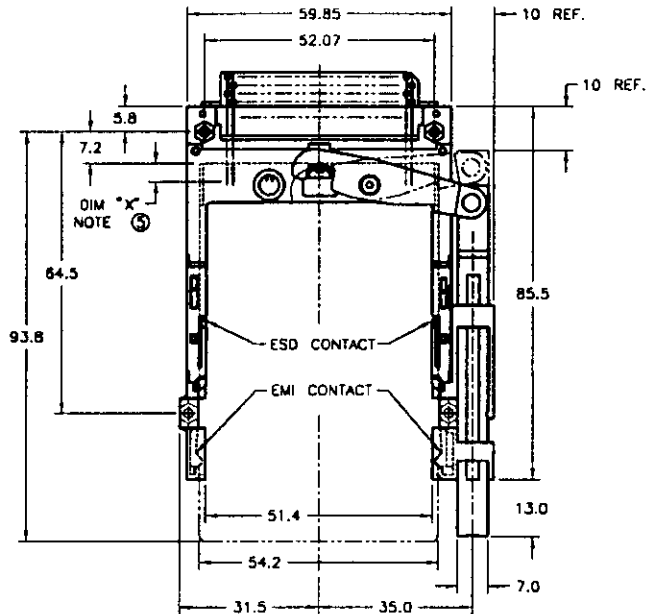
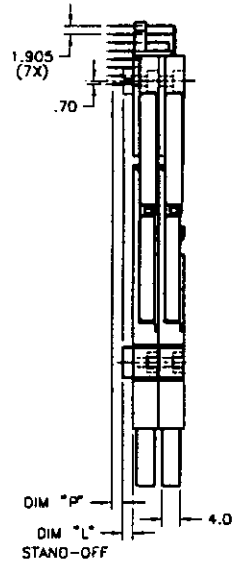
cage code  
22526

Tous droits strictement réservés. Reproduction ou communication à des tiers interdite sous quelque forme que ce soit sans autorisation écrite du propriétaire. Propriété de ©BERG ELECTRONICS. Droits de reproduction BERG ELECTRONICS INC.

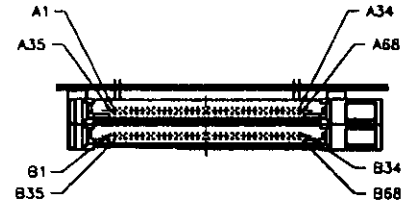
**BERG**  
ELECTRONICS

All rights strictly reserved. Reproduction or issue to third parties in any form whatever is not permitted without written authority from the proprietor. Property of ©BERG ELECTRONICS Copyright BERG ELECTRONICS INC.

PRODUCT NO.  
93981-XXXX



P/N: 93981-220CA  
ABOVE P.C.B.  
RIGHT/RIGHT PUSH-ROD  
P.C.B. LAYOUT 1 (SHT. 3)



P/N: 93981-720CA  
BELOW P.C.B.  
RIGHT/RIGHT PUSH-ROD  
P.C.B. LAYOUT 2 (SHT. 3)  
\*VIEW ROTATED 180°  
PUSH-ROD & DECK ARE  
AS VIEWED BY USER

mat'l. code				tolerances unless otherwise specified		CUSTOMER COPY	<b>BERG ELECTRONICS</b>	
ltr	ecn no	dr	date	linear	.X ± .3		projection	title
0					.XX ± .13	mm		DOUBLE - DECK HEADER EJECT ASSY
				angles	.XXX ± .051		scale	product family
					0° ± 2'	1/1		size
				dr	R.GRAPE 7/29/96			93981
				enqr	D.BRANN 7/29/96		code	-
				chr	D.BRANN 7/29/96		sheet	2 of 3
				appd	D.BRANN 7/29/96			
sheet index	revision sheet							

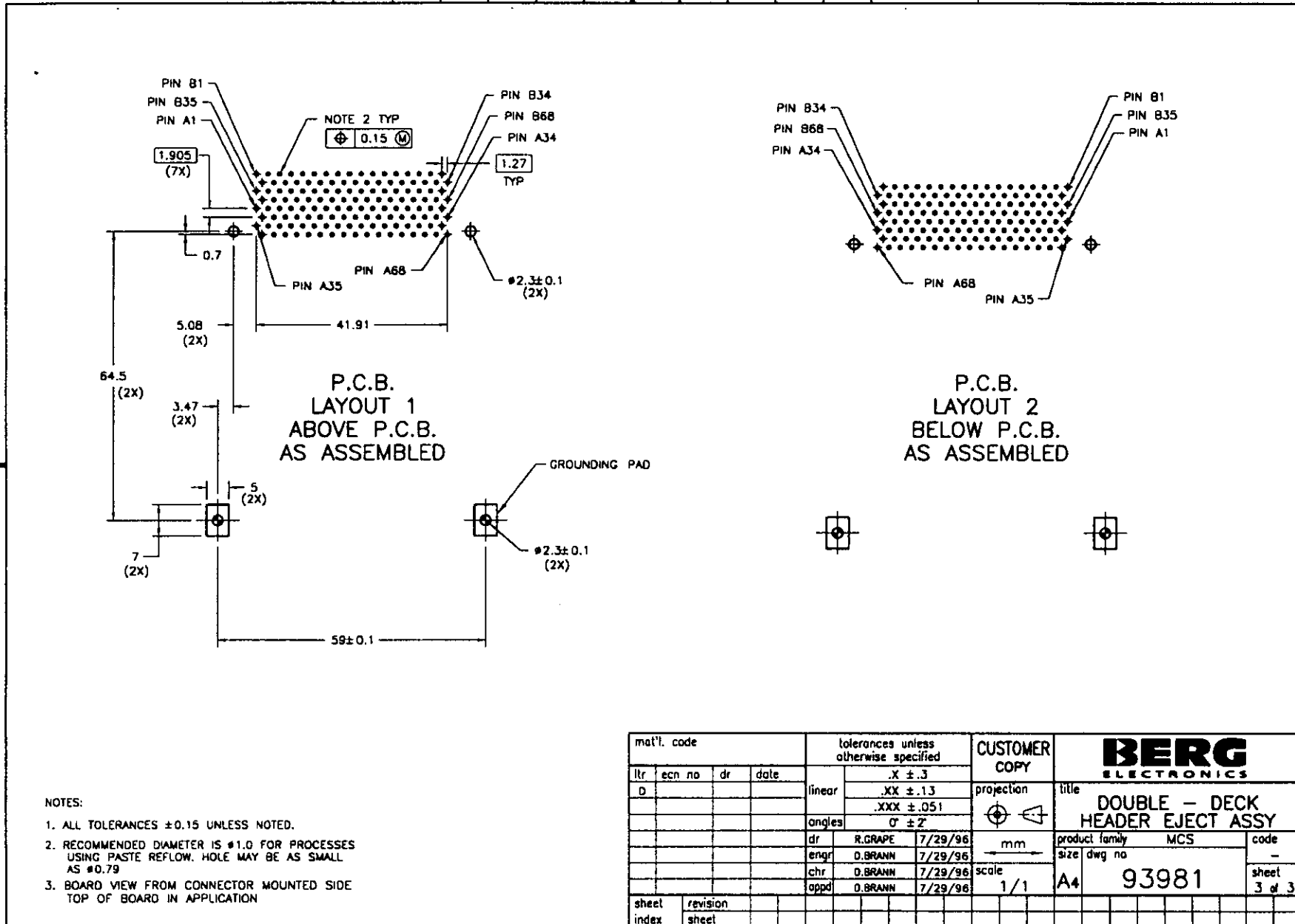
form no. 7530-001-103

cage code  
22526

Tous droits strictement réservés. Reproduction ou communication à des tiers interdite sous quelque forme que ce soit sans autorisation écrite du propriétaire.  
 Propriété de ©BERG ELECTRONICS. Droits de reproduction BERG ELECTRONICS INC.



All rights strictly reserved. Reproduction or issue to third parties in any form whatever is not permitted without written authority from the proprietor.  
 Property of ©BERG ELECTRONICS Copyright BERG ELECTRONICS INC.



- NOTES:
1. ALL TOLERANCES  $\pm 0.15$  UNLESS NOTED.
  2. RECOMMENDED DIAMETER IS  $\#1.0$  FOR PROCESSES USING PASTE REFLOW. HOLE MAY BE AS SMALL AS  $\#0.79$
  3. BOARD VIEW FROM CONNECTOR MOUNTED SIDE TOP OF BOARD IN APPLICATION

mat'l. code				tolerances unless otherwise specified		CUSTOMER COPY		<b>BERG ELECTRONICS</b>		
ltr	ecn no	dr	date	linear	.X $\pm .3$	projection	title			
D					.XX $\pm .13$		DOUBLE - DECK HEADER EJECT ASSY			
				angles	.XXX $\pm .051$		mm	product family	MCS	code
				dr	R.GRAPE	7/29/96	scale	A4	93981	sheet
				engr	O.BRANN	7/29/96	1/1			3 of 3
				chr	O.BRANN	7/29/96				
				appd	O.BRANN	7/29/96				
sheet index	revision sheet									
form no. 7530-001-103								cage code		
								22526		