

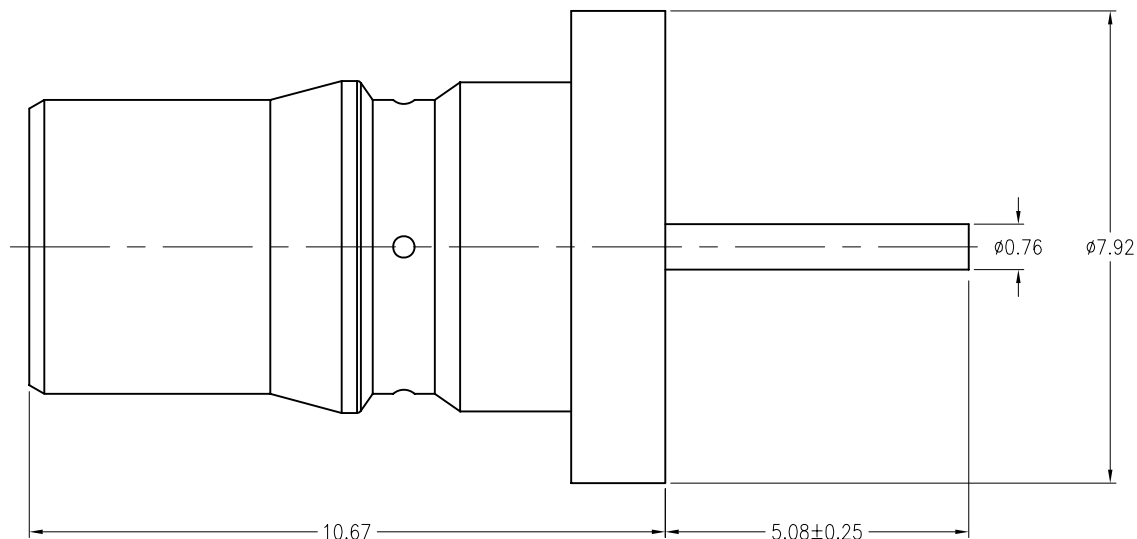
NOTES:

1. MATERIALS AND FINISHES(PLATING THICKNESS IN MICRO-INCHES):
 BODY - BRASS, GOLD PLATING
 CONTACT - BERYLLIUM COPPER, GOLD PLATING
 INSULATOR - PTFE, NATURAL
2. ELECTRICAL:
 A. IMPEDANCE: 50 OHM
 B. FREQUENCY RANGE: DC 0-6 GHz
 C. DIELECTRIC WITHSTANDING VOLTAGE: 1000 VRMS, MIN.
3. MECHANICAL:
 A. DURABILITY: 500 CYCLES MIN.
 B. TEMPERATURE RANGE: -40°C to +80°C

THIRD ANGLE PROJ. 

REVISIONS

REV	DESCRIPTION	DATE	ECO	APPR
B	SEE SHEET 1	10-Nov-06		JEKY
C	SEE SHEET 1	31-Dec-07		KATE
D	SEE SHEET 1	31-Aug-09		SCOTT.H



CUSTOMER OUTLINE DRAWING

ALL OTHER SHEETS ARE FOR INTERNAL USE ONLY

UNLESS OTHERWISE SPECIFIED, DIMENSIONS ARE IN METRIC AND TOLERANCES ARE: 0.5 - 6mm ±0.1mm 6 - 30mm ±0.2mm 30 - 120mm ± 0.3mm ANGLES ±1'	MATERIAL	DRAWN S.XIE	DATE 20-Aug-09	TITLE QMA JACK PC MOUNT RECEPTACLE		Amphenol RF	
	REFERENCE	ENGINEER CISSY	DATE 31-Dec-07			Danbury CT USA, Tainan Taiwan, Shenzhen China www.amphenolrf.com	
FINISH		APPROVED SCOTT.H	DATE 20-Aug-09	SCALE: 8/1	SHEET 2 OF 2	DRAWING NO. 930-107J-51P	ITEM NO. 930-107J-51P
	F:\DWG\CNPD\930\107J\51P-DSZ		DWG SIZE B	CODE ID 74868	REV D	PART NO. 930-107J-51P	

NOTICE - These drawings, specifications, or other data (1) are, and remain the property of Amphenol Corp. (2) must be returned upon request; and (3) are confidential and not to be disclosed to any person other than those to whom they are given by Amphenol Corp. The furnishing of these drawings, specifications, or other data by Amphenol Corp., or to any other person to anyone for any purpose is not to be regarded by implication or otherwise in any manner licensing, granting rights or permitting such holder or any other person to manufacture, use or sell any product, process or design, patented or otherwise, that may in any way be related to or disclosed by said drawings, specifications, or other data.