

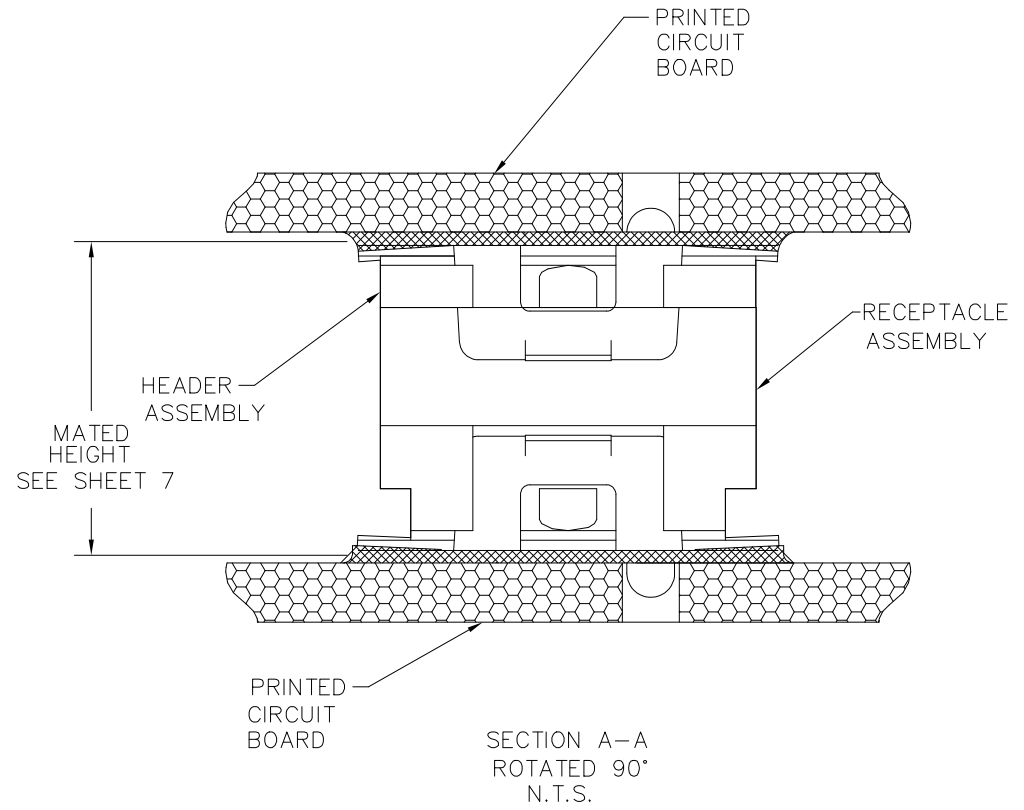
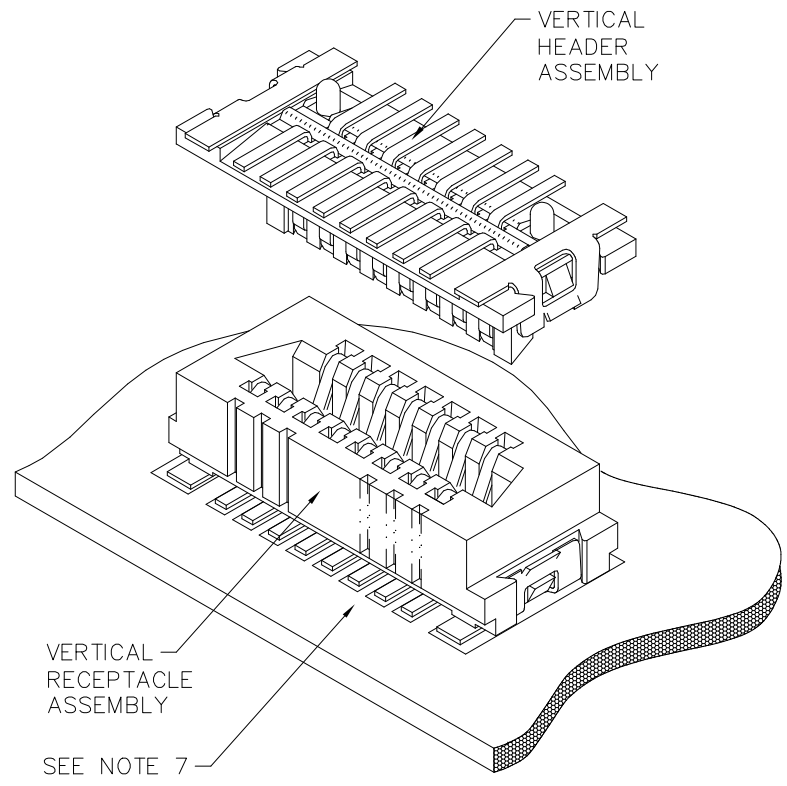
Amphenol
FCI

© 2016 AFCI

©

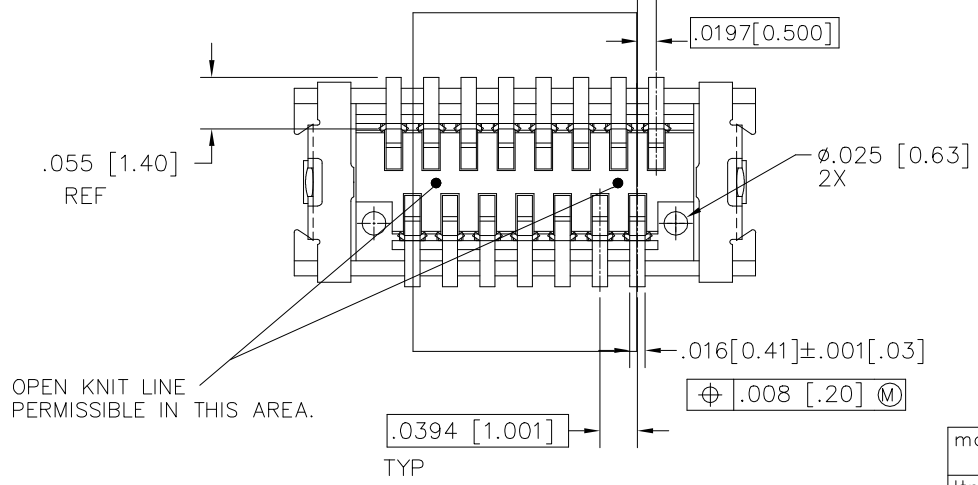
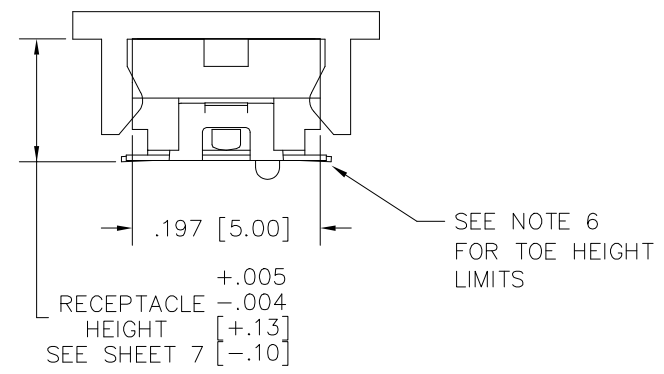
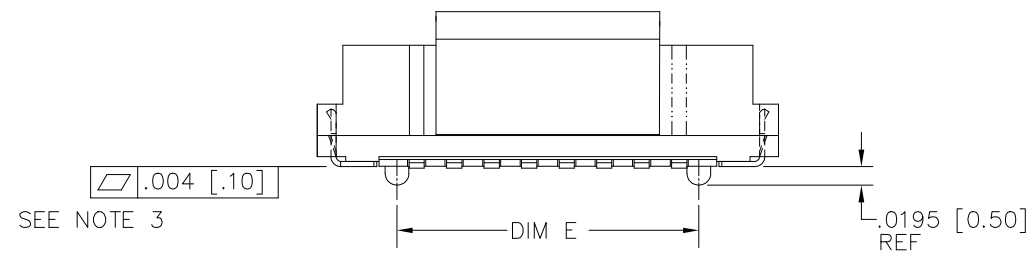
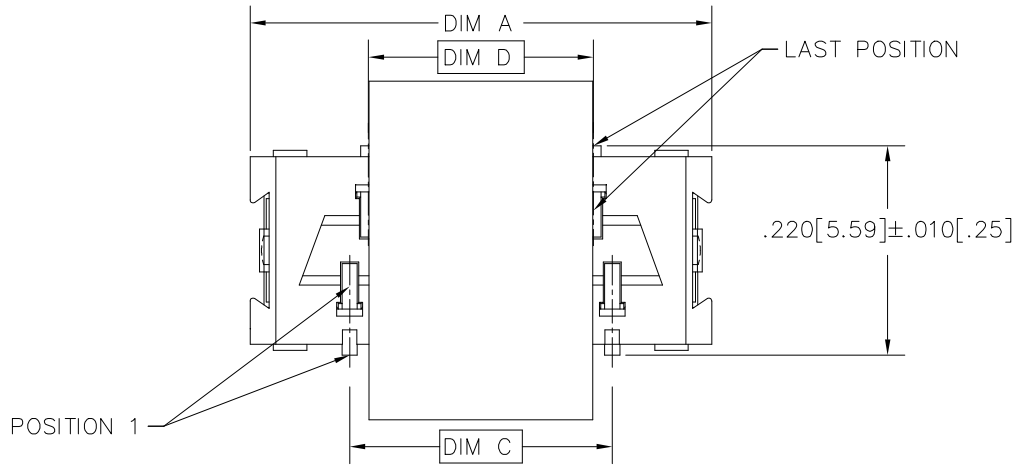
©

D



mat'l. code		surface ISO 1302 ✓		tolerance ISO 406 ISO 1101		projection		product family	
ltr		ecn no		dr		date		CONAN®	
AG	ELX-N-14208	GM	03/07/13	tolerances unless otherwise specified		INCH/MM		title	
AH	ELX-N-22454	EH	10/11/15	angles		linear		CONAN® CONNECTOR ASSEMBLY	
AJ	-	EH	12/12/15	0°±x'		.00±.20		dwg no	
AK	ELX-N-26578	TONY	04/07/17	dr		Eric Huang		10/11/15	
AL	ELX-N-26810	TONY	04/26/17	engr		Eric Huang		10/11/15	
AF	M08-0287	MHT	10/02/08	appd		Tim Yao		10/11/15	
sheet	revision	AL	AL	AL	AL	AL	AL	type Product Customer Drawing	
index	sheet	1	2	3	4	5	6	7	

PRODUCT NUMBER
SEE TABLE

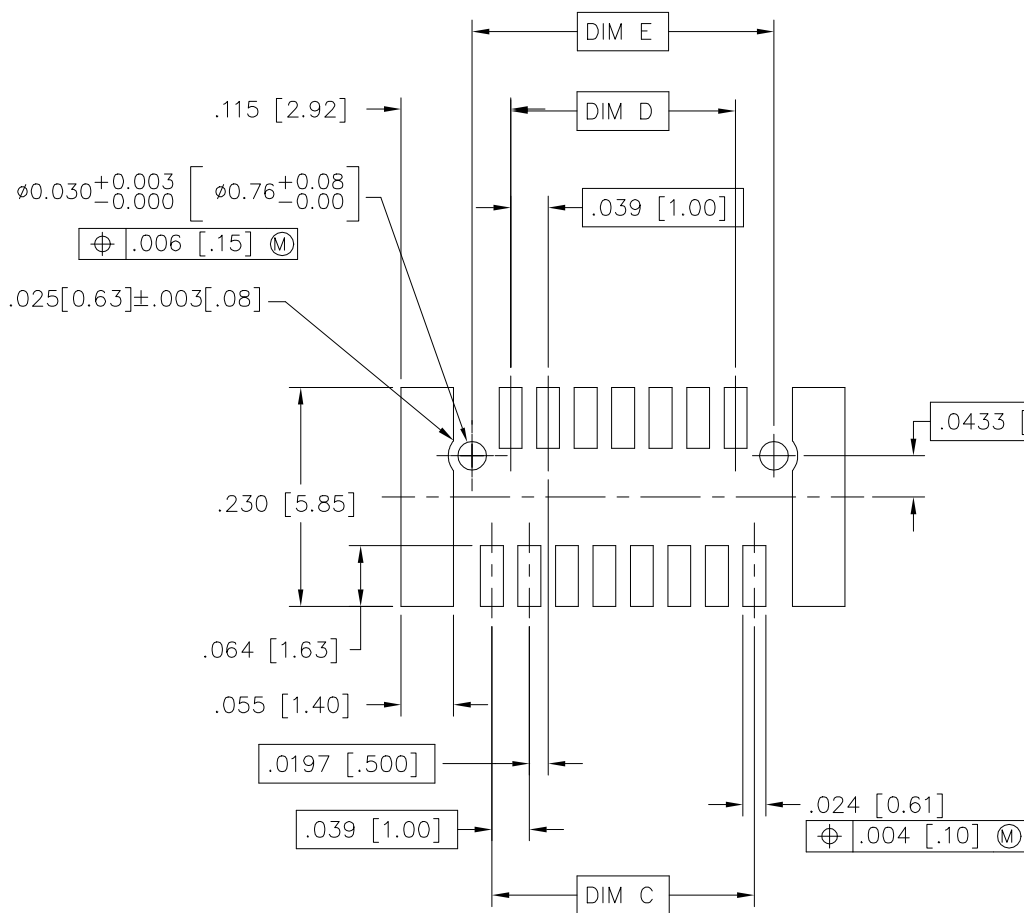


mat'l. code		surface	tolerance	projection	product family
		ISO 1302 ✓	ISO 406 ISO 1101		CONAN®
ltr	ecn no	dr	date	tolerances unless otherwise specified	title
AL				.0±.30 .00±.20 .000±.10	CONAN® CONNECTOR ASSEMBLY
		angles	linear	INCH/MM	dwg no
		0°±x'		scale 1:1	sheet 2 of 7
		dr	Eric Huang	10/11/15	size
		eng	Eric Huang	10/11/15	A3
		chr			
		appd	Tim Yao	10/11/15	
					type
					Product Customer Drawing
sheet index	revision sheet				

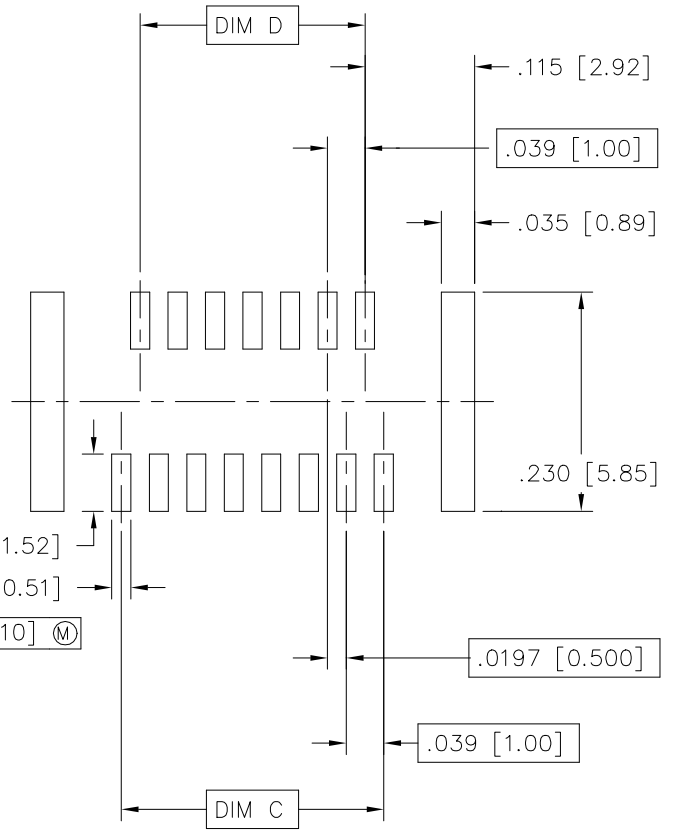
Amphenol FCI

© 2016 AFCI

PRODUCT NUMBER
SEE TABLE



RECOMMENDED
PAD LAYOUT



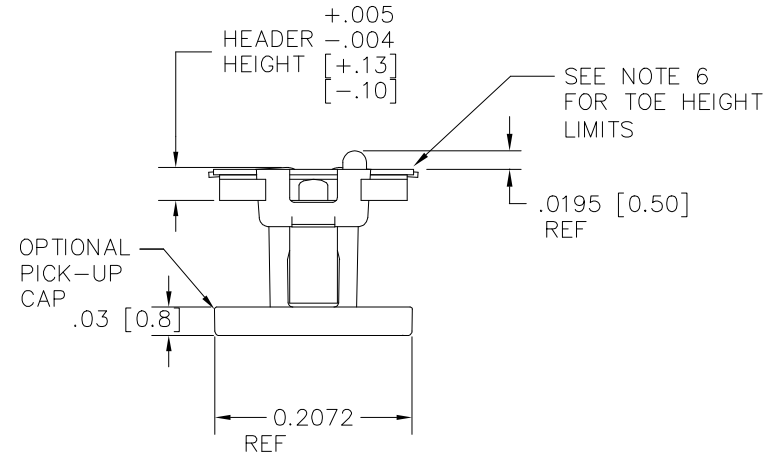
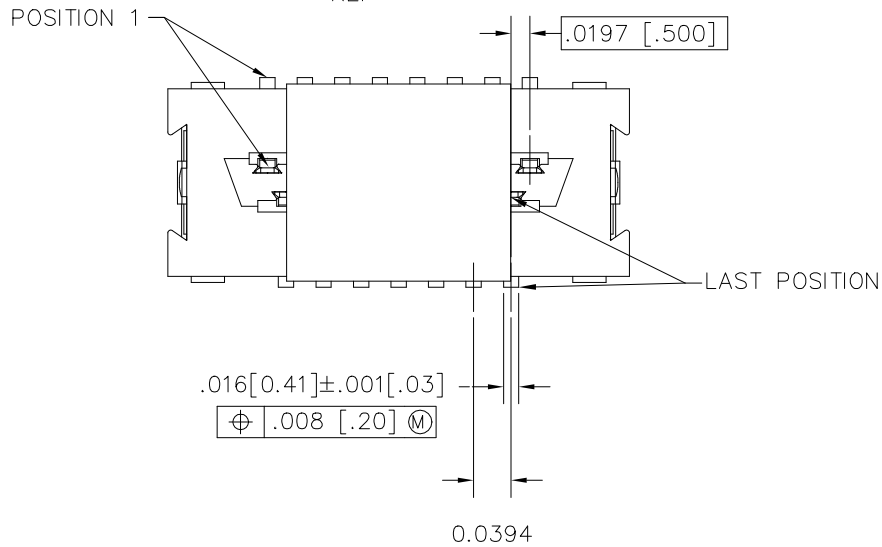
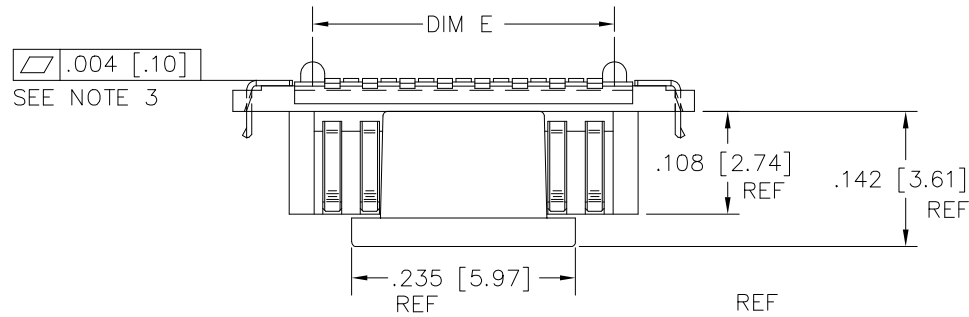
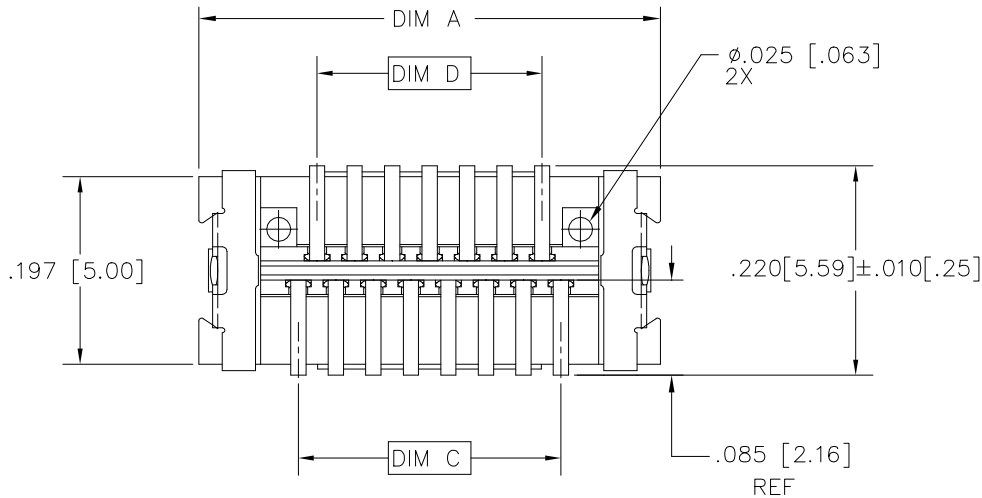
RECOMMENDED
STENCIL LAYOUT
FOR RECEPTACLE



© 2016 AFCI

mat'l. code		surface ISO 1302 ✓		tolerance ISO 406 ISO 1101		projection 1101		product family CONAN®	
ltr	ecn no	dr	date	tolerances unless otherwise specified		INCH/MM		title CONAN® CONNECTOR ASSEMBLY	
AL				angles	.0±.30			dwg no	
				linear	.00±.20			sheet 3 of 7	
				0'±x'	.000±.10	scale 1:1		size A3	
				dr	Eric Huang	10/11/15		type	
				eng	Eric Huang	10/11/15		Product Customer Drawing	
				chr					
				appd	Tim Yao	10/11/15			
sheet index	revision sheet								

PRODUCT NUMBER
SEE TABLE

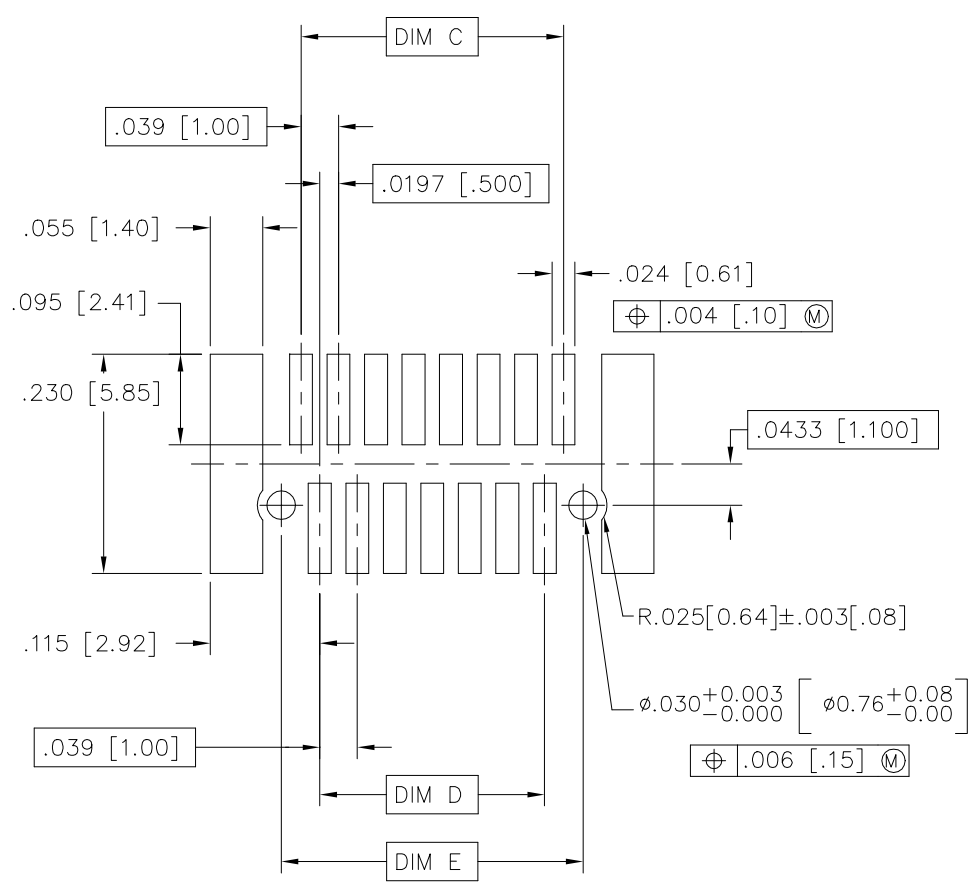


mat'l. code		surface ISO 1302 ✓		tolerance ISO 406 ISO 1101		projection 1101		product family CONAN®	
ltr	ecn	no	dr	date	tolerances unless otherwise specified		title		
AL					angles	linear	linear	CONAN® CONNECTOR ASSEMBLY	
					0°±x'		linear	sheet 4 of 7 size	
					dr	Eric Huang	10/11/15	dwg no	
					eng	Eric Huang	10/11/15	91900	
					chr			A3	
					appd	Tim Yao	10/11/15	type Product Customer Drawing	
sheet index	revision sheet								

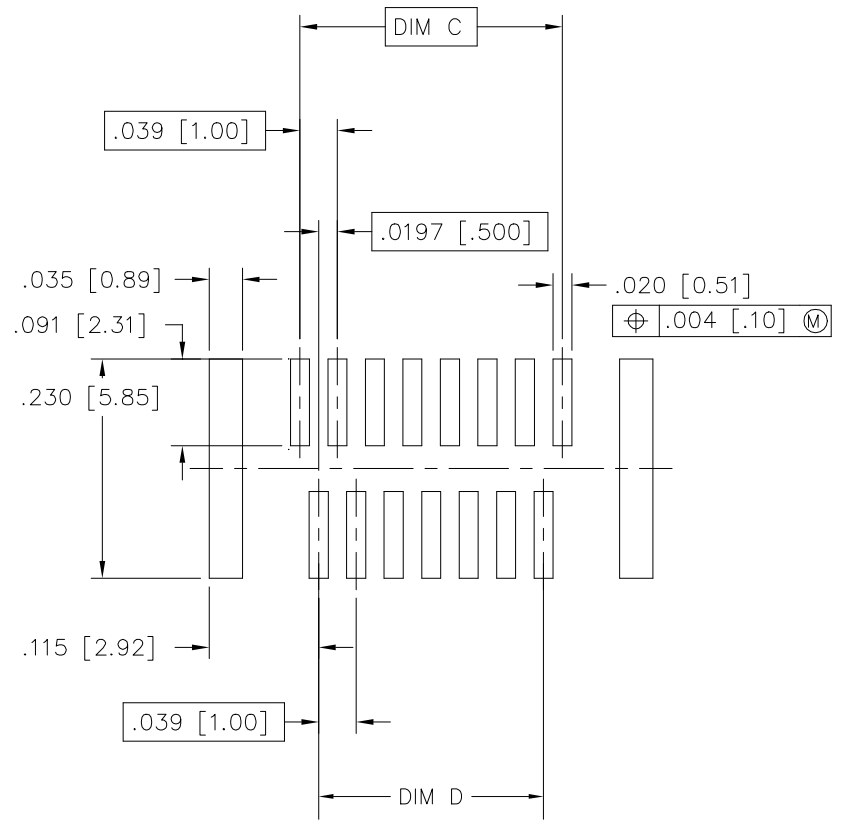
Amphenol FCI

© 2016 AFCI

PRODUCT NUMBER
SEE TABLE



RECOMMENDED
PAD LAYOUT



RECOMMENDED
STENCIL LAYOUT
FOR HEADER

Amphenol
FCI

© 2016 AFCI

mat'l. code		surface ISO 1302 ✓		tolerance ISO 406 ISO 1101		projection 1:1		product family CONAN®	
ltr	ecn no	dr	date	tolerances unless otherwise specified		title		CONAN® CONNECTOR ASSEMBLY	
AL				angles	linear	INCH/MM		sheet 5 of 7	
				0'±x'		scale 1:1		size A3	
		dr	Eric Huang	10/11/15		Amphenol FCI		dwg no 91900	
		eng	Eric Huang	10/11/15	type Product Customer Drawing				
		chr							
		appd	Tim Yao	10/11/15					
sheet index	revision sheet								

PRODUCT NUMBER	POS	DIM "A"	DIM "C"	DIM "D"	DIM "E"
919TC-WXY09	9	.366 [9.30]	.157 [4.00]	.118 [3.00]	.1990 [5.055]
-WXY09LF					
-WXY11	11	.406 [10.30]	.197 [5.00]	.157 [4.00]	.2380 [6.045]
-WXY11LF					
-WXY15	15	.484 [12.30]	.276 [7.00]	.236 [6.00]	.3170 [8.052]
-WXY15LF					
-WXY21	21	.602 [15.30]	.394 [10.00]	.354 [9.00]	.4350 [11.049]
-WXY21LF					
-WXY25	25	.681 [17.30]	.472 [12.00]	.433 [11.00]	.5140 [13.056]
-WXY25LF					
-WXY31	31	.800 [20.30]	.591 [15.00]	.551 [14.00]	.6320 [16.053]
-WXY31LF					
-WXY41	41	.996 [25.30]	.787 [20.00]	.748 [19.00]	.8290 [21.057]
-WXY41LF					
-WXY51	51	1.193 [30.30]	.984 [25.00]	.945 [24.00]	1.0260 [26.060]
-WXY51LF					
-WXY69	69	1.547 [39.30]	1.339 [34.00]	1.299 [33.00]	1.3800 [35.052]
-WXY69LF					

NOTES:

1. MATERIALS:

RECEPTACLE HOUSING - LCP, UL-94V-0. COLOR: NATURAL.

RECEPTACLE TERMINALS - COPPER ALLOY, PLATED WITH 15u"/.38u GXT™ IN CONTACT AREA AND 100u"/2.54u Sn ON SOLDER LEGS WITH AN OVERALL 50u"/1.27u Ni UNDERPLATE.

HEADER HOUSING - LCP, UL-94V-0. COLOR: NATURAL.

HEADER TERMINALS - COPPER ALLOY, PLATED WITH 15u"/.38u GXT™ IN CONTACT AREA AND 100u"/2.54u Sn ON SOLDER LEGS WITH AN OVERALL 50u"/1.27u Ni UNDERPLATE.

RETENTION DEVICE - BRASS, PLATED WITH 100u"/2.54u Sn OVER NICKEL.

2. REFERENCE GS-12-006 FOR PRODUCT PERFORMANCE DATA.

3. SEE TA-774 FOR FURTHER DESCRIPTION OF HOW THIS DIMENSION IS APPLIED.

4. PICK AND PLACE CAP OR TAPE IS ONLY AVAILABLE WITH OPTION 3 PACKAGING. (PSA ADHESIVE SEALED). ALSO, PSA PACKAGING REQUIRES A PICK AND PLACE CAP.

5. RECOMMENDED SOLDER PASTE THICKNESS IS .006 TO .008 INCHES THICK.

6. THE TOE HEIGHT OF THE SOLDER TAIL SHALL BE MEASURED FROM THE LOWEST POINT OF THE .004 CO-PLANARITY GRAVITY PLANE. THIS MEASUREMENT IS NOT TO EXCEED A WINDOW OF .000 TO .007 INCHES.

7. THREE SLOTS MAY BE LOCATED AT EITHER END OF HOUSING.

8. 5.50mm MATED HEIGHT IS ONLY AVAILABLE IN 9, 15 AND 31 POS.

9. 7.50mm MATED HEIGHT IS ONLY AVAILABLE IN 9 POS.

10. APPLIES TO 91921-3XYZZ AND 91931- 3XYZZ OPTIONS ONLY.

11. THE HOUSING WILL WITHSTAND EXPOSURE TO 260°C PEAK TEMPERATURE FOR 30 SECONDS IN A CONVECTION INFRA RED OR VAPOR PHASE REFLOW OVEN. SEE APPLICATION/PROCEDURES IF THEY ARE AVAILABLE

13. PRODUCT WITH "LF" AT THE END MEETS EUROPEAN UNION DIRECTIVES AND OTHER COUNTRY REGULATION AS DESCRIBED IN GS-22-008.

Amphenol FCI

© 2016 AFCI

mat'l. code		surface	tolerance	projection	product family
		ISO 1302 ✓	ISO 406 ISO 1101		CONAN®
ltr	ecn no	dr	date	tolerances unless otherwise specified	title
AL				angles linear	CONAN® CONNECTOR ASSEMBLY
				0°±x'	INCH/MM
				.0±.30	scale 1:1
				.00±.20	
				.000±.10	
		dr	Eric Huang	10/11/15	dwg no sheet 6 of 7 size
		engr	Eric Huang	10/11/15	91900 A3
		chr			
		appd	Tim Yao	10/11/15	type Product Customer Drawing
sheet index	revision sheet				

CONAN[®] ASSEMBLY PART NUMBER

919 T C - W X Y ZZ LF

LEAD FREE OPTION
SEE NOTE 12

TYPE	T
HEADER WITH NO PEGS	0
HEADER WITH PEGS	1
RECEPTACLE WITH NO PEGS	2
RECEPTACLE WITH PEGS	3

PICK AND PLACE CAP OR TAPE (NOTE 4)	C
WITHOUT CAP OR TAPE	0
WITH CAP	1
WITH TAPE (RECEPTACLE ONLY)	2

Y	HEADER HEIGHT	RECEPTACLE HEIGHT	MATED HEIGHT +.010 -.008 [+.25] [-.20]
1	.034 [.86]	.129 [3.28]	.163 [4.15]
2	.048 [1.23]	SEE Y=1 FOR ALL RECEPTACLES	.177 [4.50]
3	.068 [1.73]		.197 [5.00]
4	.107 [2.72]		.236 [6.00]
5	.1465 [3.721]		.276 [7.00]
* 6	.088 [2.23]		.216 [5.50]
** 7	.1665 [4.229]		.296 [7.52]

ZZ	NUMBER OF POSITIONS
09	9
11	11
15	15
21	21
25	25
31	31
41	41
51	51
69	69

X	PLATING
1	15u"/.38u GXT [™]
2	30u"/.76u GXT [™]

PACKAGING	W
TUBE	2
PRESSURE SEALED TAPE & REEL	3

NOTE 4

* NOTE 8
** NOTE 9

EXAMPLE: 91921-31125LF
 IS A CONAN[®] RECEPTACLE ASSEMBLY,
 HAVING NO PEGS AND WITH A PICK AND PLACE CAP.
 IT ALSO HAS GXT[™] PLATING, IS .13 [3.2] HIGH AND 25
 POSITIONS AND IS PACKAGED IN PRESSURE SEALED TAPE,
 REEL AND LEAD FREE.



© 2016 AFCI

mat'l. code		surface ISO 1302 ✓	tolerance ISO 406 ISO 1101	projection 1101	product family CONAN [®]
ltr	ecn no	dr	date	tolerances unless otherwise specified	title CONAN [®] CONNECTOR ASSEMBLY
AL				angles linear 0±x'	INCH/MM scale 1:1
				dr Eric Huang 10/11/15	Amphenol FCI
				engr Eric Huang 10/11/15	dwg no 91900 sheet 7 of 7 size A3
				chr	type Product Customer Drawing
				appd Tim Yao 10/11/15	
sheet index	revision sheet				