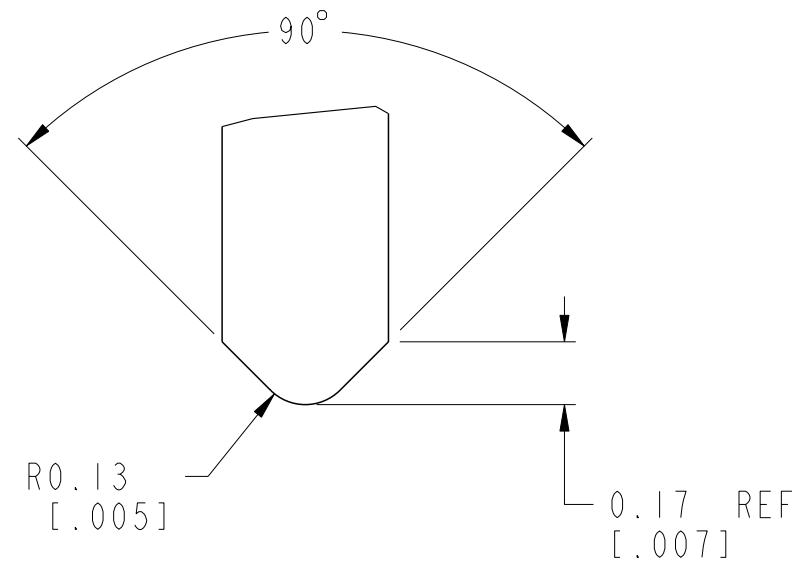
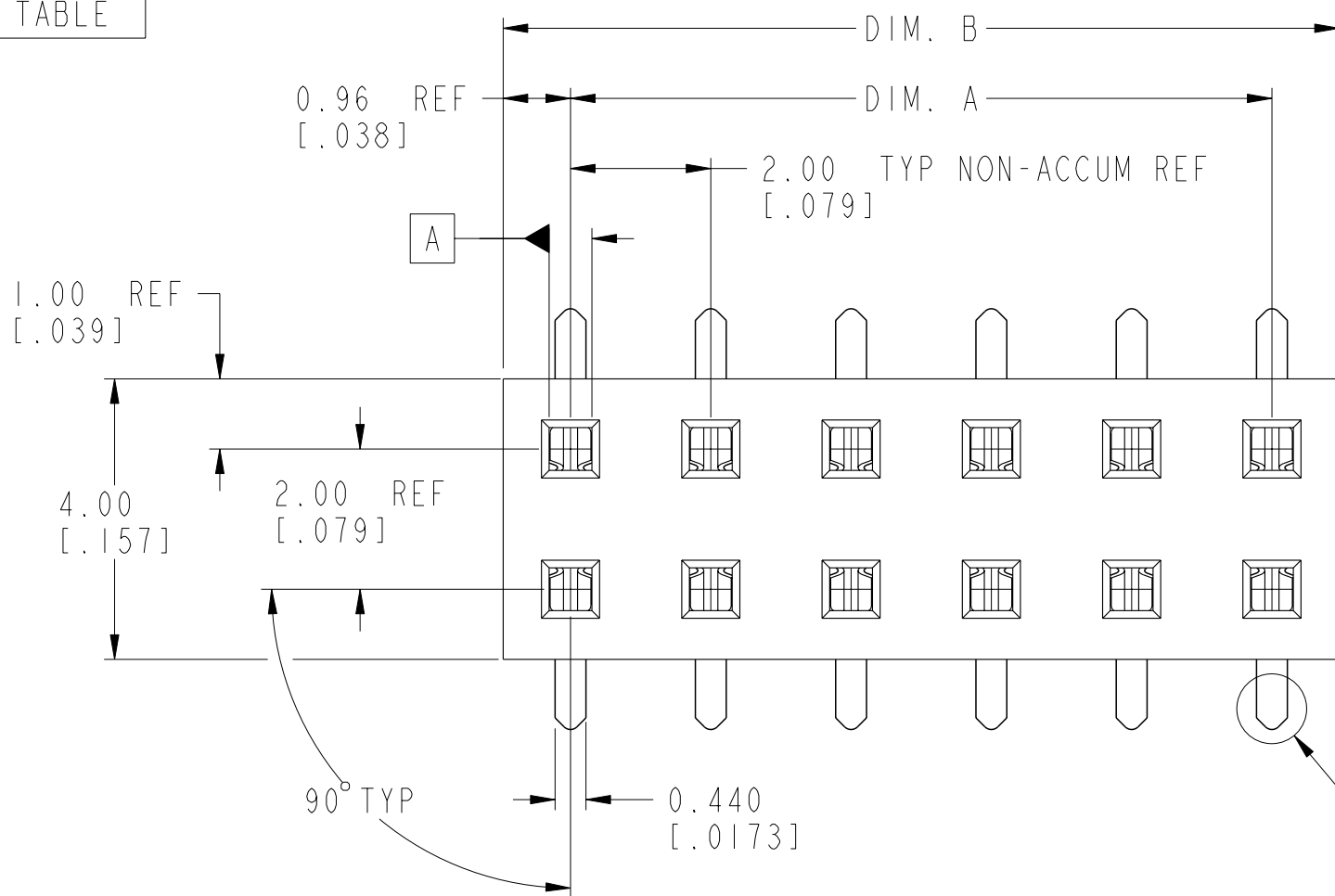
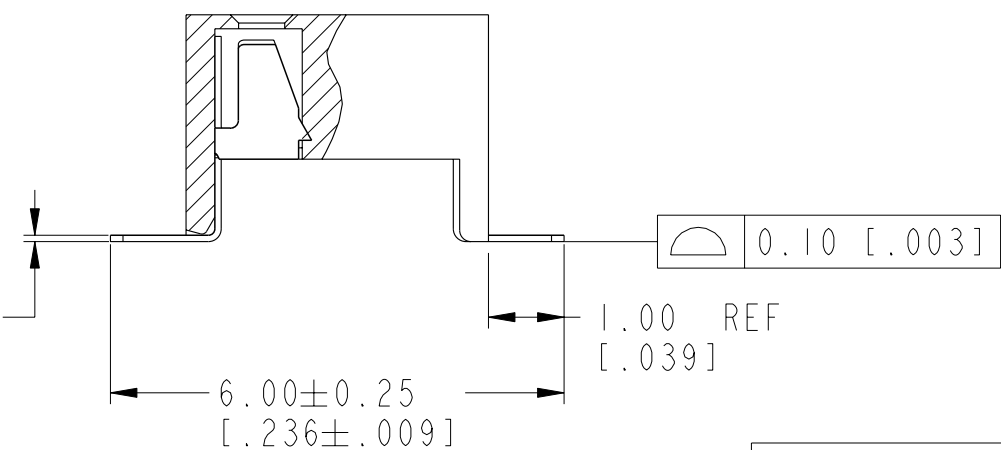
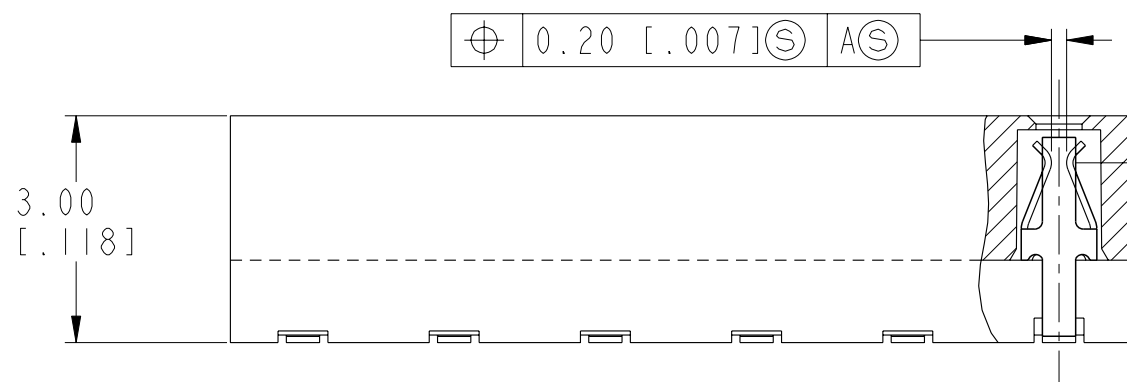


PRODUCT NO
SEE TABLE



DETAIL A
SEE NOTE 4



CONFIDENTIAL

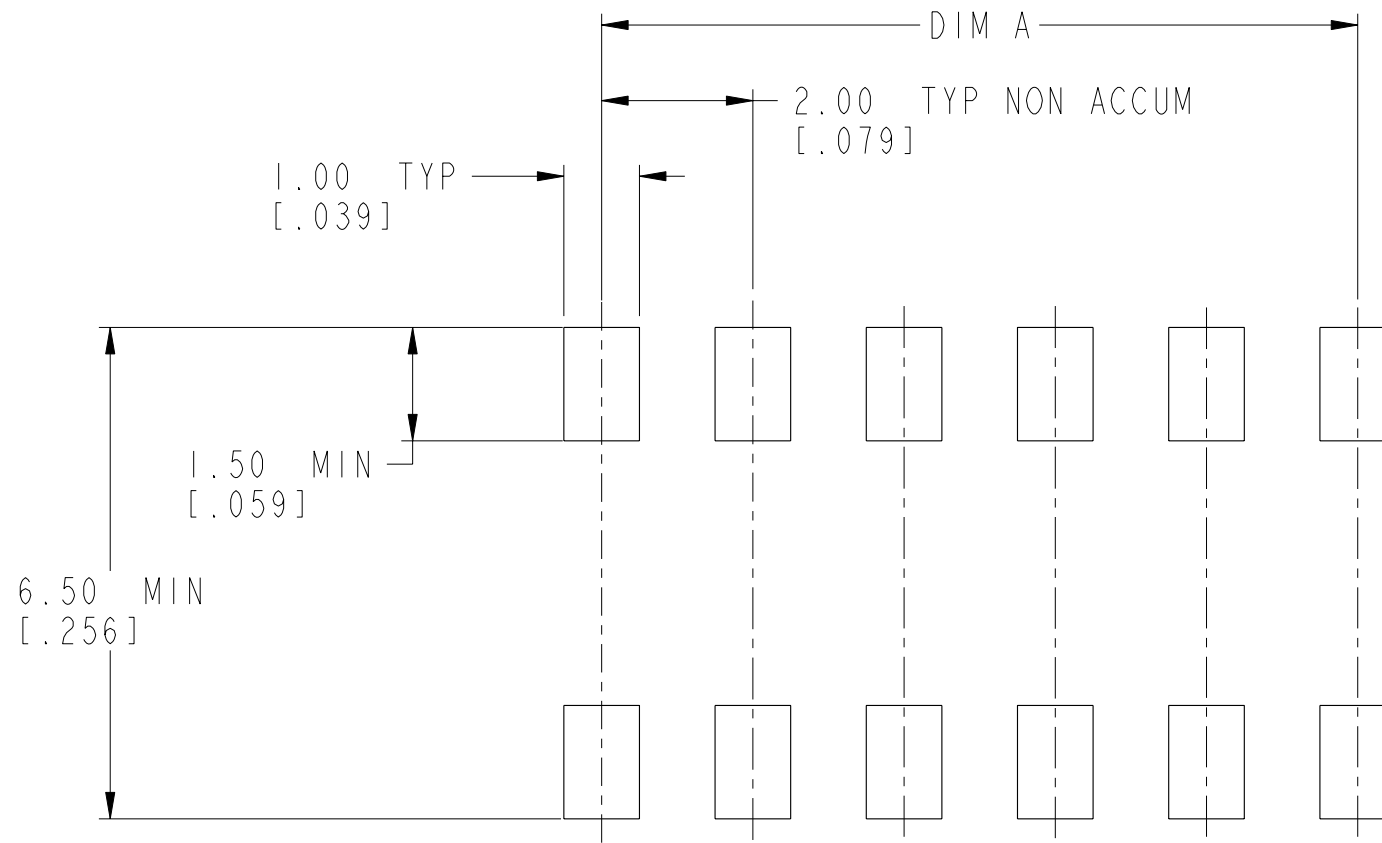
www.fciconnect.com			surface ISO 1302	tolerance std ISO 406 ISO 1101	projection MM/INCH
			TOLERANCES UNLESS OTHERWISE SPECIFIED		
Dr	BS LOW	2000-01-06	ANGULAR	x.x/.xx	±0.3/.01
Eng	JPEH	2000-01-06	LINEAR	x.xx/.xxx	±0.13/.005
Chr	KH LEE	2010-03-04	0° ±2°	x.xxx/.xxxx	±0.051/.0020
Appr	JOEY NG	2010-03-04	Product family LPVCC		Spec ref -
FCI			LOW PROFILE VCC		Rev. P
			TOP ENTRY SMT 3.00 ASSY		dwg no 91802
			catalog no -		CUSTOMER sheet 1 of 3

rev	ecn no	dr	date
L	S40317	BSL	1994-12-20
M	S80115	BSL	1998-05-14
N	V94400	BSL	1999-12-01
P	S10-0207	PR	2010-03-04
-	-	-	-
-	-	-	-
-	-	-	-

Copyright FCI.

PRODUCT NO	POSITIONS	DIM. A	DIM. B
91802-X04	2 X 2	2.00 / .079	3.92 / .154
-X06	2 X 3	4.00 / .158	5.92 / .233
-X08	2 X 4	6.00 / .236	7.92 / .312
-X10	2 X 5	8.00 / .315	9.92 / .391
-X12	2 X 6	10.00 / .394	11.92 / .469
-X14	2 X 7	12.00 / .472	13.92 / .548
-X16	2 X 8	14.00 / .551	15.92 / .627
-X18	2 X 9	16.00 / .630	17.92 / .706
-X20	2 X 10	18.00 / .709	19.92 / .784
-X22	2 X 11	20.00 / .787	21.92 / .863
-X24	2 X 12	22.00 / .866	23.92 / .942
-X26	2 X 13	24.00 / .945	25.92 / 1.020
-X28	2 X 14	26.00 / 1.024	27.92 / 1.099
-X30	2 X 15	28.00 / 1.102	29.92 / 1.178

PLATING OPTIONS OVER CONTACT AREA
0 = 0.2μm/8μ" Au
1 = 0.76μm/30μ" Au
3 = 0.38μm/15μ" Au



RECOMMENDED PAD LAYOUT

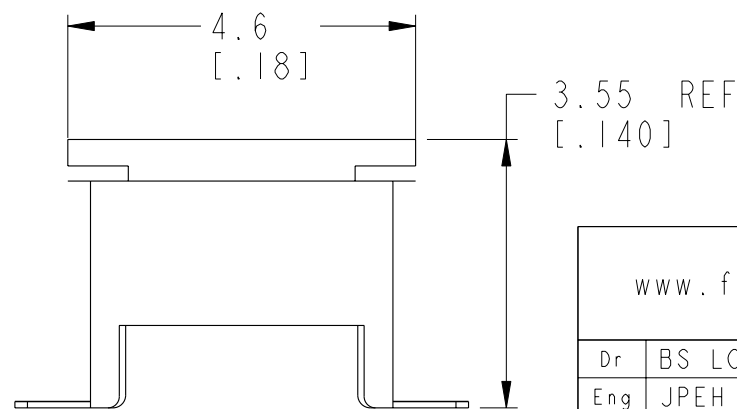
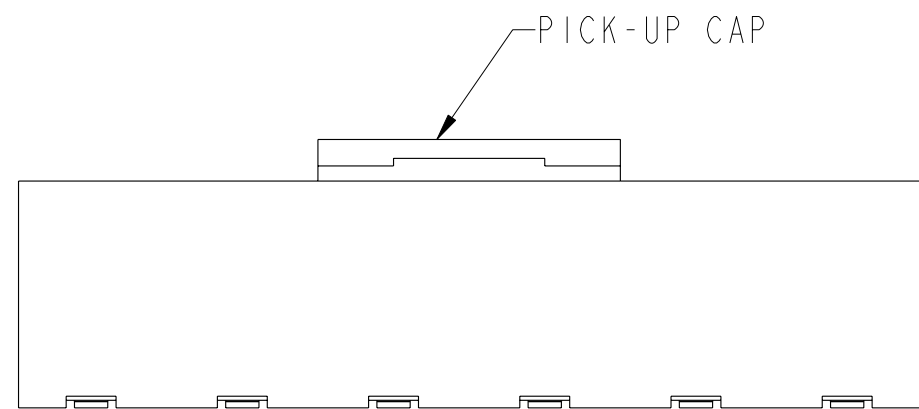


FIG. 1
NOTE 7 (b) & (d)

www.fciconnect.com			surface ISO 1302	tolerance std ISO 406 ISO 1101	projection MM/INCH	CONFIDENTIAL	
TOLERANCES UNLESS OTHERWISE SPECIFIED				ANGULAR	LINEAR	size A3	Scale 10:1
Dr	BS LOW	2000-01-06	0° ±2°	x.x/.xx	±0.3/.01	ECN	S10-0207
Eng	JPEH	2000-01-06		x.xx/.xxx	±0.13/.005	Spec ref	-
Chr	KH LEE	2010-03-04		x.xxx/.xxxx	±0.051/.0020		
Appr	JOEY NG	2010-03-04	Product family	LPVCC			
FCi			LOW PROFILE VCC		dwg no		91802
			TOP ENTRY SMT 3.00 ASSY		CUSTOMER		Rev. P
catalog no					sheet 2 of 3		

NOTES:

- 1. HOUSING MATERIAL : HIGH TEMP PLASTIC.
- 2. TERMINAL MATERIAL :BeCu.
- 3. TERMINAL RETENTION 0.5Kg/1.1 Lbs.
- 4. 'V' CUT OPTIONAL - MANUFACTURING PROCESS OPTION.
- 5. SOLDER TAILS ARE TIN/LEAD PLATED.

6. PRODUCT DESCRIPTION CODE :

XXXXX-X XX



- 7. PACKAGING:
 - (a) XXXXX-XXX --- STD PACKAGING IN TUBE.
 - (b) XXXXX-XXXTR --- TAPE AND REEL (CONDUCTIVE) PACKAGING WITH PICK-UP CAP (SEE FIG 1).
 - (c) XXXXX-XXXTRN --- TAPE AND REEL (CONDUCTIVE) PACKAGING WITHOUT PICK-UP CAP.
 - (d) XXXXX-XXXCR --- TAPE AND REEL (NON-CONDUCTIVE) PACKAGING WITH PICK-UP CAP (SEE FIG 1).
 - (e) XXXXX-XXXCRN --- TAPE AND REEL (NON-CONDUCTIVE) PACKAGING WITHOUT PICK-UP CAP.

8. A SYMBOL WILL BE NEXT TO ANY DIMENSION, VIEW OR NOTE WHICH HAS BEEN MODIFIED WITH THE CURRENT DRAWING REVISION.

CONFIDENTIAL

www.fciconnect.com			surface ISO 1302	tolerance std ISO 406 ISO 1101	projection 	MM/INCH
TOLERANCES UNLESS OTHERWISE SPECIFIED						
Dr	BS LOW	2000-01-06	ANGULAR	LINEAR	x.x/.xx	±0.3/.01
Eng	JPEH	2000-01-06			x.xx/.xxx	±0.13/.005
Chr	KH LEE	2010-03-04	0°	±2°	x.xxx/.xxxx	±0.051/.0020
Appr	JOEY NG	2010-03-04	Product family		LPVCC	Spec ref -
			title LOW PROFILE VCC		dwg no 91802	Rev. P
			TOP ENTRY SMT 3.00 ASSY			
			catalog no -		CUSTOMER	sheet 3 of 3