



Millenium Supply switch mode power supply 89450 with PFC Part number 89450222



- Switching power supply, electronic regulated
- Wide range of input circuit
- Conformity to global standards
- Thermal protection
- PFC filter
- Adjustment of the output voltage (adjustable from -10 / +10 % of Un)

Part numbers

Type	Input voltage (V)	Output voltage (V)	Nominal power	Nominal current
89450222 89450 with PFC	100 →240 V AC	24 V DC	100 W	4,2 A

Specifications

Certifications	CE, UL, CSA, TÜV
Conformity to standards	Safety : IEC/EN 60950-1 EMC : EN 61000-6-3, EN 61000-6-2, 61000-3-2 LF harmonic currents : IEC/EN 61000-3-2

Output circuit

Status indication	Green LED
Operating voltage (Ue)	24 V
Nominal output current (A)	4.2 at 24 V
Output voltage accuracy	± 10 %
Line and load regulation	± 3 %
Residual ripple	< 200 mV
Protection against short circuits	Continuous, automatic restart
Protection against voltage surges	U > 1,2 Ue
Thermal protection	Yes

Input circuit

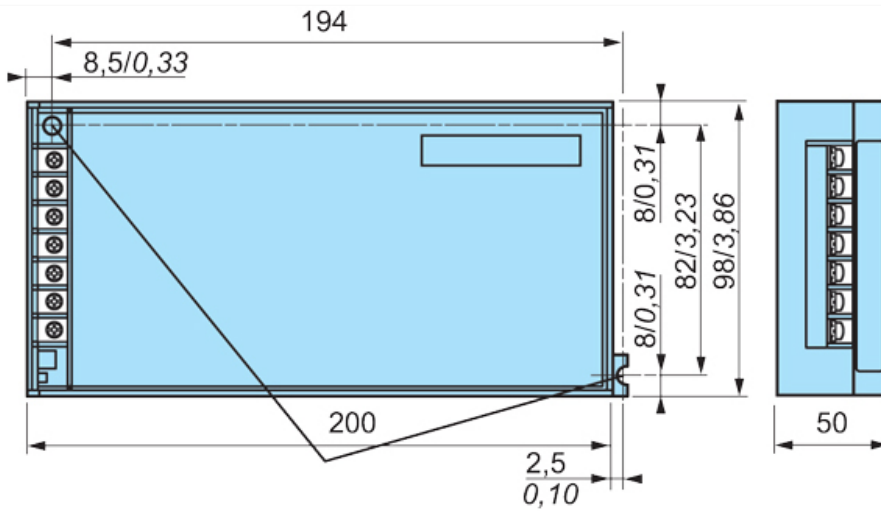
Nominal voltage (V)	100 →240 VAC (-15 %/+10 %)
Current consumption (mA)	Ue = 240 V - 0,7 A Ue = 100 V - 1,4 A

Operating characteristics

Connection capacity	Input : 2 x 4 mm ² + earth Output : 4 x 4 mm ²
Ambient storage temperature	-25 →+85 °C
Relative humidity	20→90 % RH
Vibrations	Conforming to IEC/EN 61131-2
Operating temperature	Voir courbes de déclassement
MTBF	>100,000 hr at 100 % load (at 40°)
Immunity to electrostatic discharges	Conforming to IEC/EN 61000-4-2 level 3 (4 kV contact/8 kV air)
Immunity to electromagnetic discharges	Conforming to IEC/EN 61000-4-3 level 3 (10V/m)
Immunity to conducted disturbances	Conforming to IEC/EN 61000-4-4 level 3 (2 kV), IEC/EN 61000-4-5, IEC/EN 61000-4-6 level 3, IEC/EN 61000-4-8 level 4, IEC/EN 61000-4-12 level 3
Immunity to mains supply disturbances	Conforming to IEC/EN 61000-4-11 (voltage dips and interruptions)
Incorporated input fuse	Yes
Emission	Conducted/radiated conforming EN 55022 (CISPR22), EN 55011 (CISPR11)
Connections	
Dielectric strength	Input/output : 3000AC 50/60 Hz 1 min Input/earth : 1500AC 50/60 Hz 1 min Output/earth : 500AC 50/60 Hz 1 min
Weight (g)	640
Reset on protection	Automatic

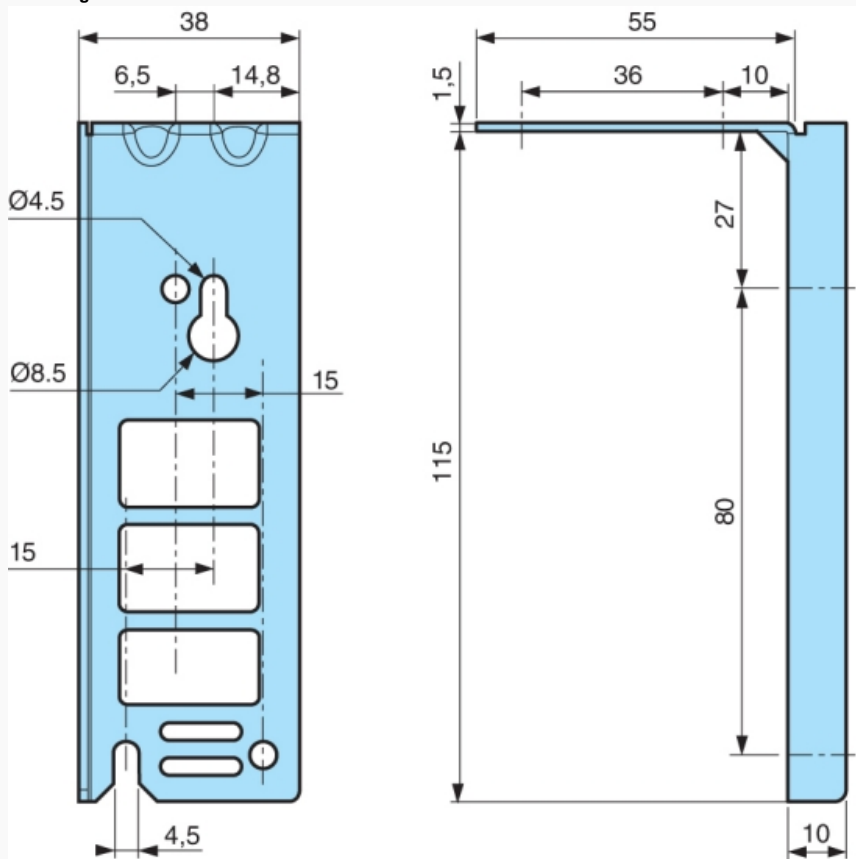
Dimensions (mm)

89450 power supplies



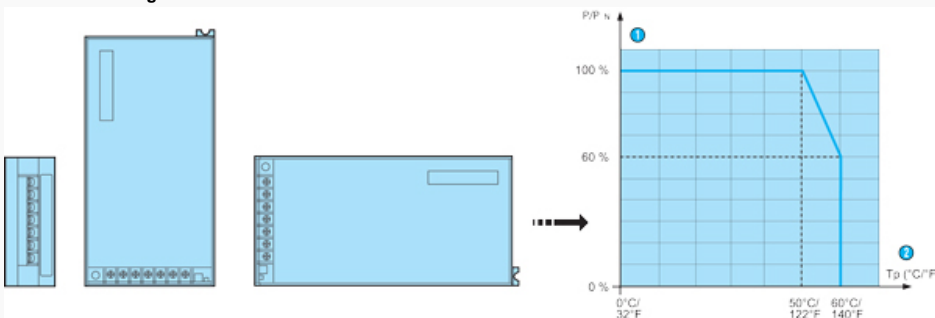
Dimensions (mm)

Mounting bracket



Curves

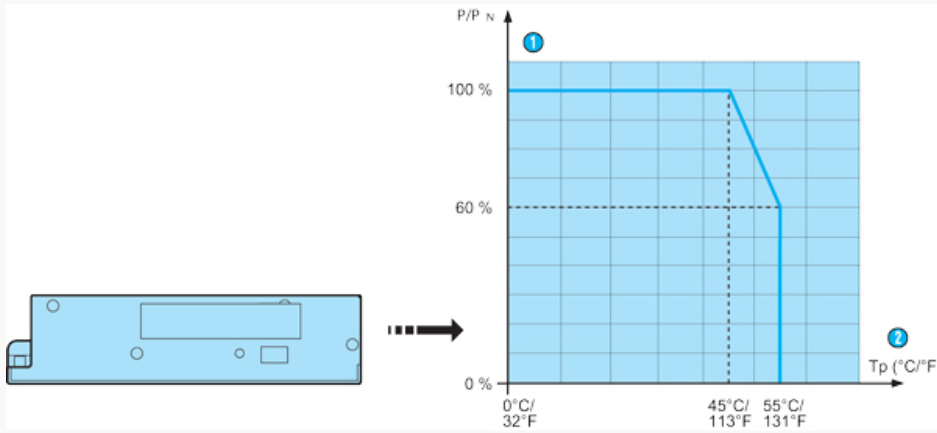
Vertical mounting



N°	Legend
①	*** TRADUCTION MANQUANTE ***
✖	*** TRADUCTION MANQUANTE ***

Curves

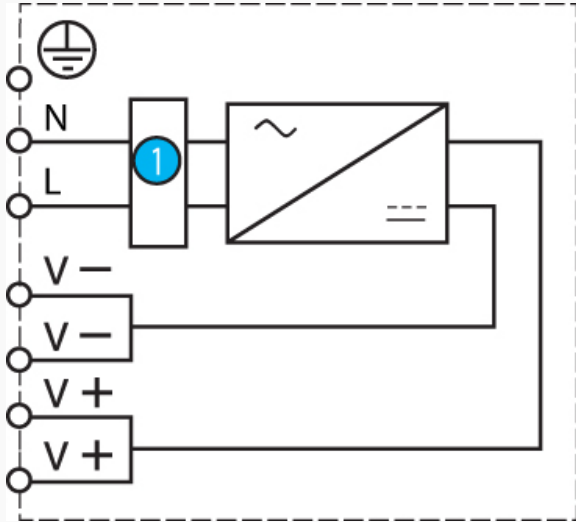
Horizontal mounting



N°	Legend
✖	*** TRADUCTION MANQUANTE ***
✖	*** TRADUCTION MANQUANTE ***

Connections

89450222



N°	Legend
①	PFC filter