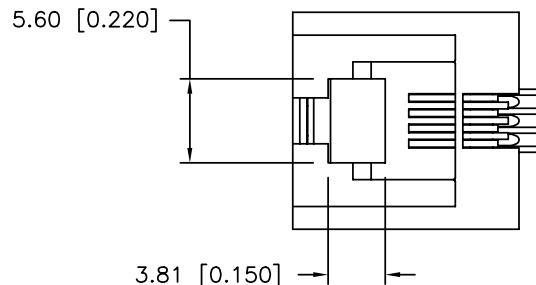
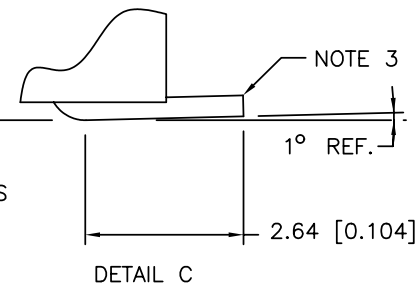
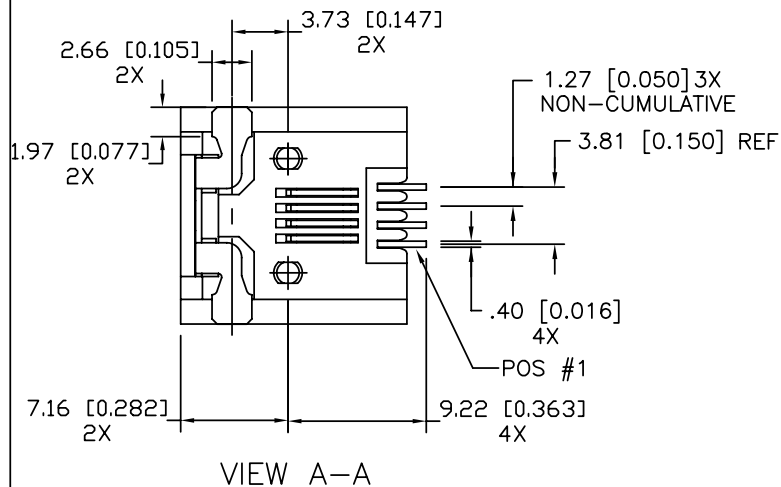
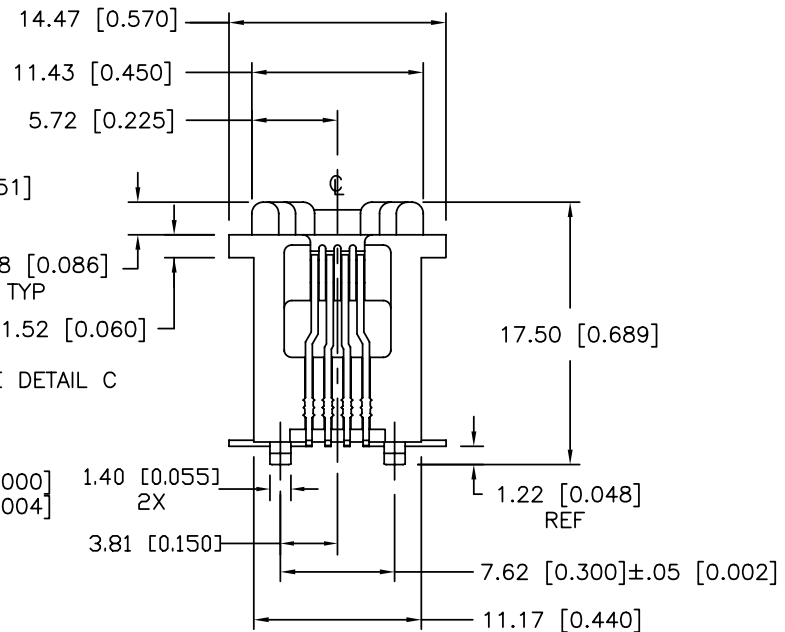
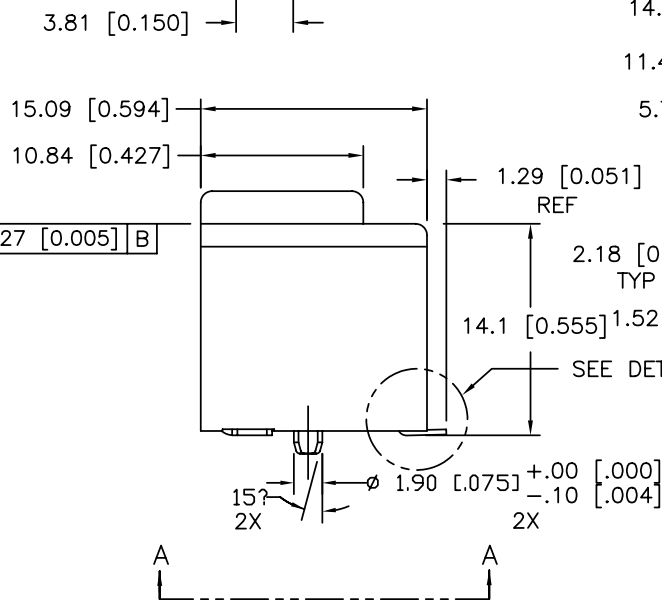
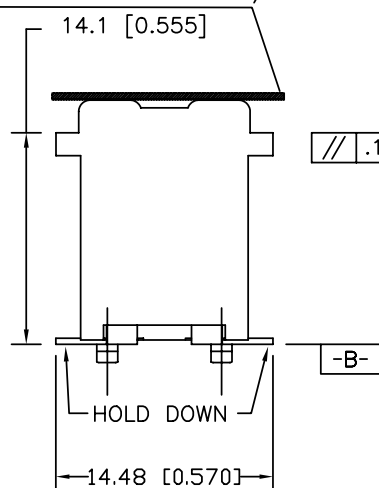


PRODUCT NO.
SEE TABLE



THE MYLAR SEE NOTE 7
ONLY FOR 87543-XXX1C/XXX1CLF



mat'l. code				tolerances unless otherwise specified		CUSTOMER COPY		FCI	
ltr	ecn no	dr	date	linear	.X±.3/.XX±.01	projection	www.fciconnect.com		
S	N08-0194	SH	09/08/08		.XX±.13/.XXX±.005	MM/INCH	title		
K	V12666	LP	1/10/02		XXX±.051/.XXX±.0020	scale	A-SMT ASSEMBLY		
L	V21834	LP	12/2/02	angles	0° ±2'	1:1	VERT 4 POS		
M	V04-0861	DAI	08/30/04	dr	L.POTTEIGER 12/2/02		product family	MOD JACK	code
N	N05-0035	YS	02/17/05	enr	J.KONTOS 12/2/02		size	dwg no	213
P	N05-0142	ZC	6/2/05	chr	J.KONTOS 12/2/02		87543		sheet
R	N07-0217	WG	09/07/07	appd	J.KONTOS 12/2/02				1 of 2
sheet index	revision	R	R						
	sheet	1	2						

Tous droits strictement reserves. Reproduction ou communication a des tiers interdite sous quelque forme que ce soit sans autorisation ecrite du propriétaire. Propriete de c FCI. Droits de reproduction FCI.

All rights strictly reserved. Reproduction or issue to third parties in any form whatever is not permitted without written authority from the proprietor. Property of FCI. Copyright FCI.

