

SERIES 84BL Standard Backlit

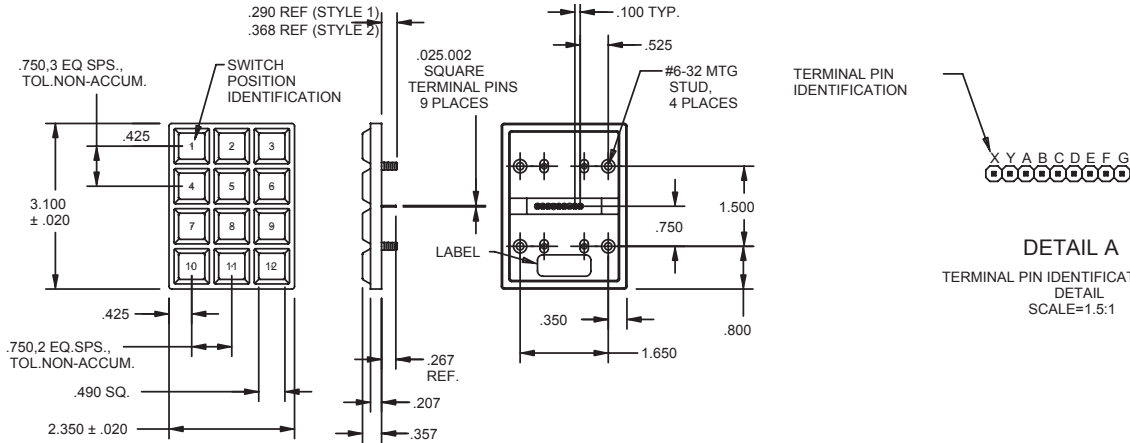
FEATURES

- Backlit for Low Light Applications
- Waterproof Silicone Rubber
- Audible, Tactile Contacts
- Low Contact Resistance
- Optional RFI/EMI Shielding
- 3,000,000 Operations per Button



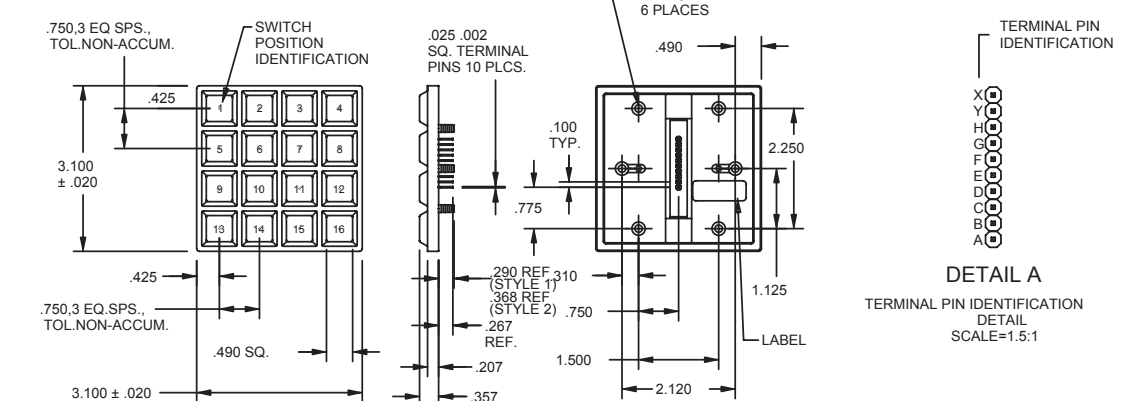
DIMENSIONS in inches (and millimeters)

3 x 4 Keyboard

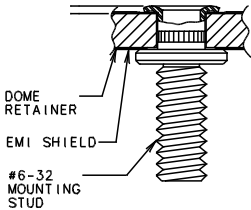


DETAIL A
TERMINAL PIN IDENTIFICATION
DETAIL
SCALE=1.5:1

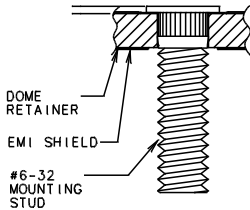
4 x 4 Keyboard



DETAIL A
TERMINAL PIN IDENTIFICATION
DETAIL
SCALE=1.5:1



STUD DETAIL
STYLE "1"



STUD DETAIL
STYLE "2"

Keyboards and Keypads

SCHEMATIC AND TRUTH TABLE

3 x 4

4 x 4

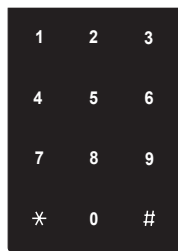
TERMINAL PIN IDENTIFICATION

TERMINAL PIN IDENTIFICATION

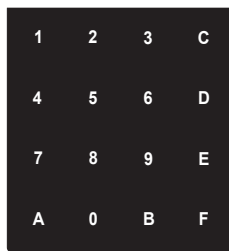
LED COLOR	FORWARD VOLTAGE			RESISTOR	TYPICAL CURRENT DRAW WITH 5V POWER SUPPLY	
	MIN	TYP.	MAX		3x4	4x4
RED	-	1.9V	2.5V	221Ω	168mA	224mA
YELLOW	-	2.0V	2.5V	221Ω	163mA	217mA
GREEN	-	3.3V	4.1V	121Ω	169mA	225mA
ORANGE	-	2.0V	2.5V	221Ω	163mA	217mA
BLUE	-	3.3V	4V	121Ω	169mA	225mA

STANDARD LEGENDS

Available through Grayhill Distributors To order one of the configurations below, use the dash number shown here; select the keypad size and order the part number with the appropriate legend dash number. Contact Grayhill for Customs.



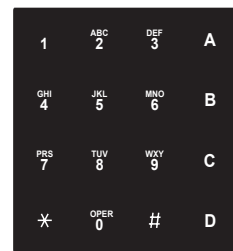
-112



-014



-113



-016

SPECIFICATIONS

Rating Criteria

Rating at 24 Vdc: 10 milliamps resistive
 Contact Bounce: 4 milliseconds maximum
 Contact Resistance: 10 ohms maximum

Life Expectancy: 3 million operations/button
 Insulation Resistance: >1,000 megohms

Operating Features

Pre-Travel: .030 inches minimum
 Operating Force: 20 ± 4 ounces
 Humidity: 0 to 98% (no condensation)

Materials and Finishes

Terminal Pins: Phosphor Bronze Tin Plated
 PC Board: FR-4 glass cloth epoxy
 Dome Retainer/Rear Seal Sheet: Polyester
 Mounting Studs: Stainless Steel (Style 1), Phosphor Bronze Tin Plated (Style 2)
 Optional Hex Nut: Stainless steel, passivated
 Optional EMI Shield: Aluminum foil
 Keypad: Silicone rubber

ORDERING INFORMATION



84BL = Printed Legend, Sealed and Shielded
 84BLN = Printed Legend, Sealed and Non-Shielded
 Keyboard Size: A = 3 x 4, B = 4 x 4
 B = Matrix Code
 1 = Style "1" (see stud detail)
 2 = Style "2" (see stud detail)

N = Mounting Nuts Supplied and Shipped Loose, Blank = No Nuts Supplied
 Led Color: A = Red, B = Yellow, C = Green, D = Orange, E = Blue
 Standard Legends: -112 or -113 for 3x4, -014 or -016 for 4x4