

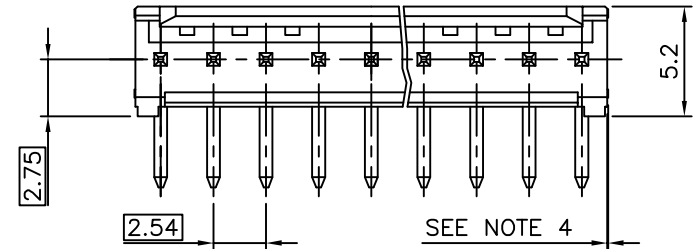
PRODUCT NUMBER
76382-YXXLF

PLATING

RoHS COMPATIBLE, SEE NOTE 7
NUMBER OF POSITIONS : 02 TO 36

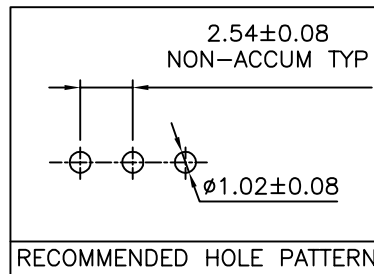
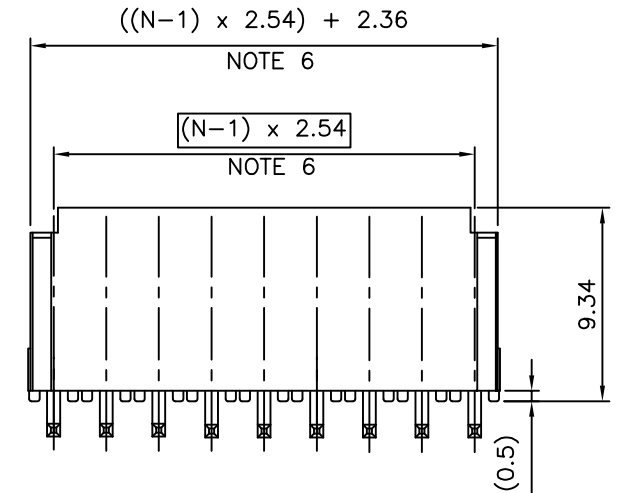
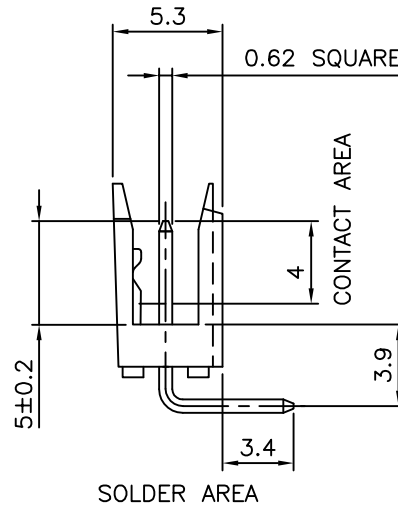
3=0.76µm GOLD/GXT ON CONTACT AREA
2µm MIN MATTE TIN ON TAIL
1.27µm Ni MIN UNDERPLATING

TOP VIEW



NOTES:

1. BODY MATERIAL: POLYESTER 30% GLASSFILLED COLOR BLUE, FLAME RETARDANT PER UL-94 V0.
2. CONTACT MATERIAL: PHOSPHOR BRONZE.
3. 15N MIN PIN RETENTION IN EITHER DIRECTION
4. 0.6 MAX PROTRUSION PERMITTED AT 4 PLACES
5. PACKAGING :
- POLYBAGS FROM 02 TO 06 POSITIONS
- TUBE FROM 07 TO 36 POSITIONS
6. TO DETERMINE DIMENSIONS :
N = NUMBER OF POSITIONS PER ROW
EXAMPLE : 8 POS N x 2.54 = 20.32mm
7. RoHS COMPATIBLE PRODUCT SPECIFICATIONS
 - a - PLATING:
- "LF" MEANS THE PRODUCT IS LEAD-FREE,
2µm MINIMUM MATTE TIN OVER 1.27µm
MINIMUM NICKEL UNDERPLATE.
 - b - MANUFACTURING PROCESS COMPATIBILITY
- THE HOUSING WILL WITHSTAND EXPOSURE TO
245°C ±5°C SOLDER BATH TEMPERATURE FOR
5 SECONDS IN A WAVE SOLDER APPLICATION
WITH A 1.6mm MIN THICK CIRCUIT BOARD.
 - c - LABELING:
- MEETS PACKAGING SPECS AS PER GS-14-920
 - d - LEGAL STATEMENT: SEE GS-47-0004



mat'l. code		surface		tolerance		projection		product family	
SEE NOTE		ISO 1302		ISO 406 ISO 1101				DUBOX	
ltr		ecn no		date				title	
S		F-21810		AMA 15.06.19		.X ±0.3		SHR. HEADER	
L		F05-0117		LMU 05.01.27		.XX ±0.15		RA SR TMT	
M		F05-0244		JCO 05.09.06		.XXX ±0.05		scale 5:1	
N		F06-0228		LMU 06.07.11				sheet 1 of 1 size	
P		F08-0147		YOV 08.04.14				76382 A3	
R		B-19285		AMA 14.11.03				type CUSTOMER Drawing	
sheet index		revision sheet							