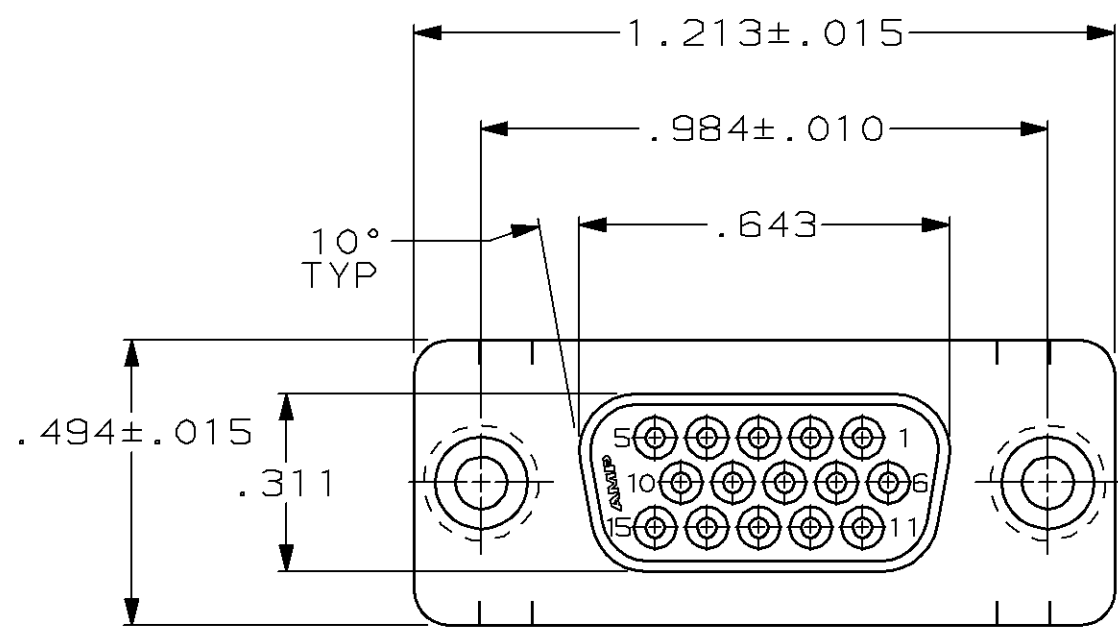
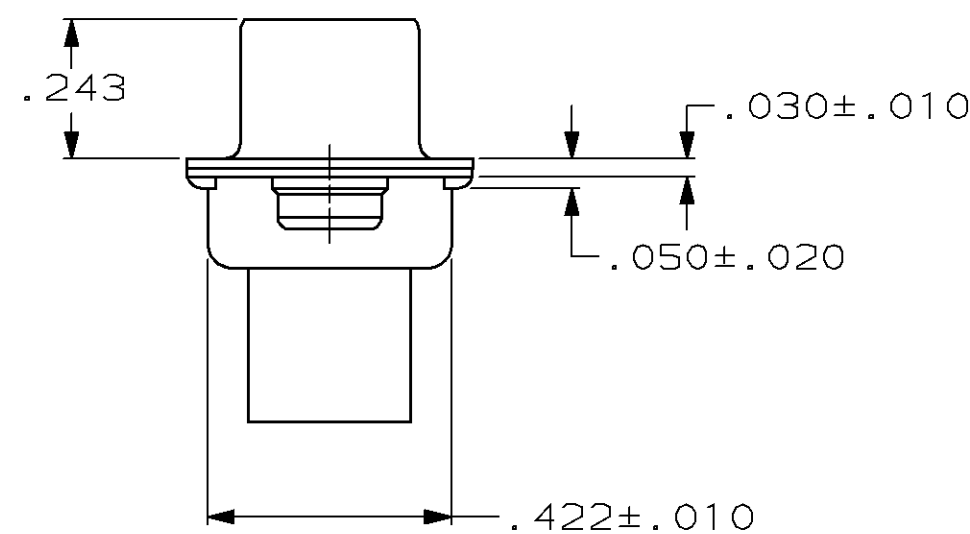
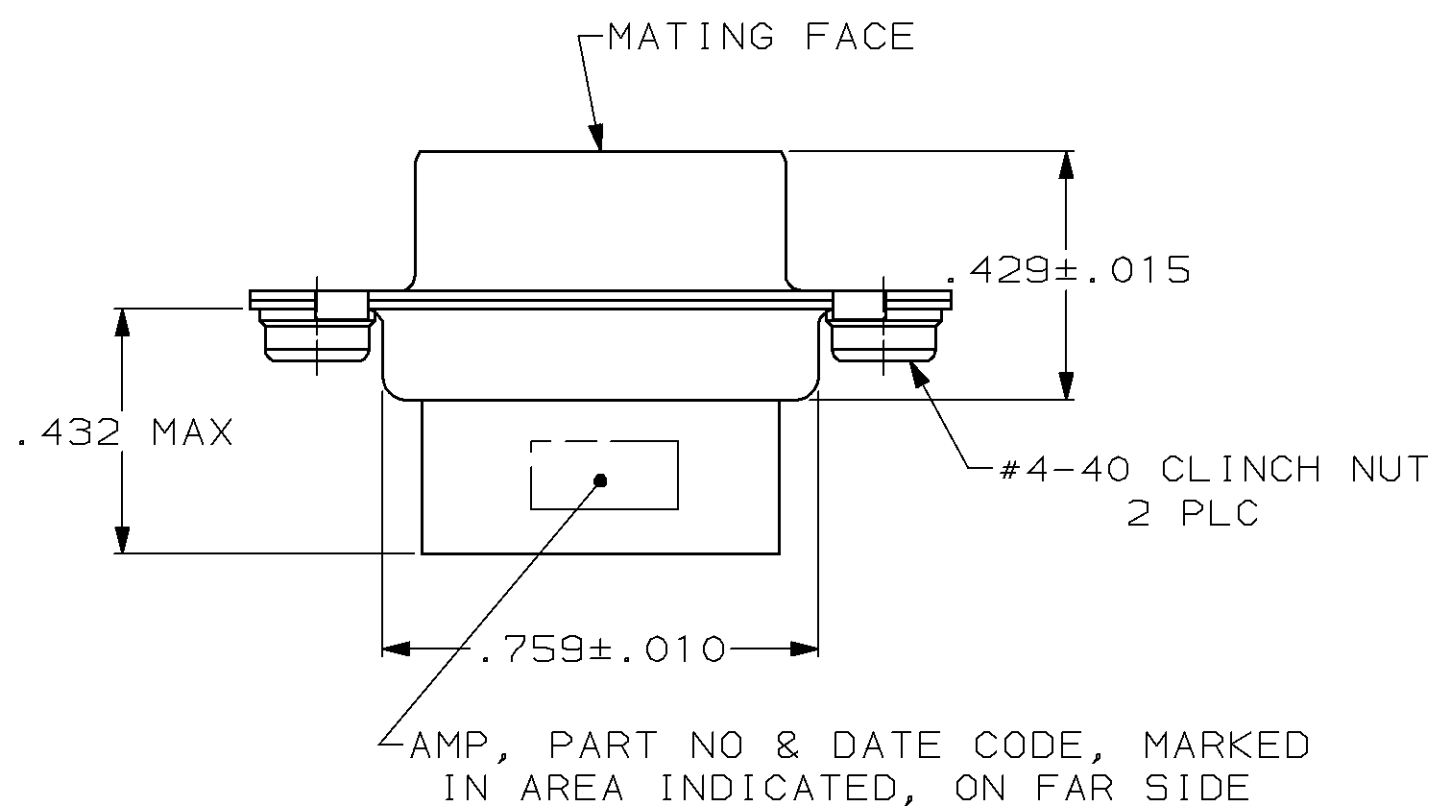


THIS DRAWING IS UNPUBLISHED. RELEASED FOR PUBLICATION
 © COPYRIGHT 19 BY AMP INCORPORATED. ALL INTERNATIONAL RIGHTS RESERVED.

LOC	DIST	P	F	ZONE	LTR	REVISIONS	DATE	APPD
BD	39				0	RELEASED	-	-



1. CONNECTOR ACCEPTS SIZE 22 DF SOCKET CONTACTS, RETENTION TINES ARE AN INTEGRAL PART OF INSERT.
2. FLAME RETARDANT 94V-0 RATED GLASS FILLED NYLON, COLOR: BLACK.
3. STEEL PER ASTM A109.
4. STEEL.
5. TIN PLATED PER MIL-T-10727.
6. ZINC PLATED PER ASTM B633, TYPE II, CLASS SC1, YELLOW CHROMATE.



748696-1

PART NO

DO NOT SCALE PRINT. UNLESS SPECIFIED DIMENSIONS IN INCHES TOLERANCES ON : 2 PLC DEC ± - 3 PLC DEC ± .005 ANGLES ± 2°	DR -	AMP INCORPORATED Harrisburg, Pa. 17105
	CHK -	
	APPD -	
	APPD -	
MATERIAL MOLDED PARTS: 2 SHELLS: 3 CLINCH NUTS: 4	PRODUCT SPEC -	NAME
FINISH SHELLS: 5 CLINCH NUTS: 6	APPLICATION SPEC -	SIZE
	WEIGHT -	FSCM NO
		DRAWING NO
		SCALE
		SHEET

RECEPTACLE CONNECTOR, SIZE 1, 15 POSN, WITH NON-LOCKING CLINCH NUTS, AMPLIMITE® HDP-22		
C	00779	748696
3:1		1 OF 1