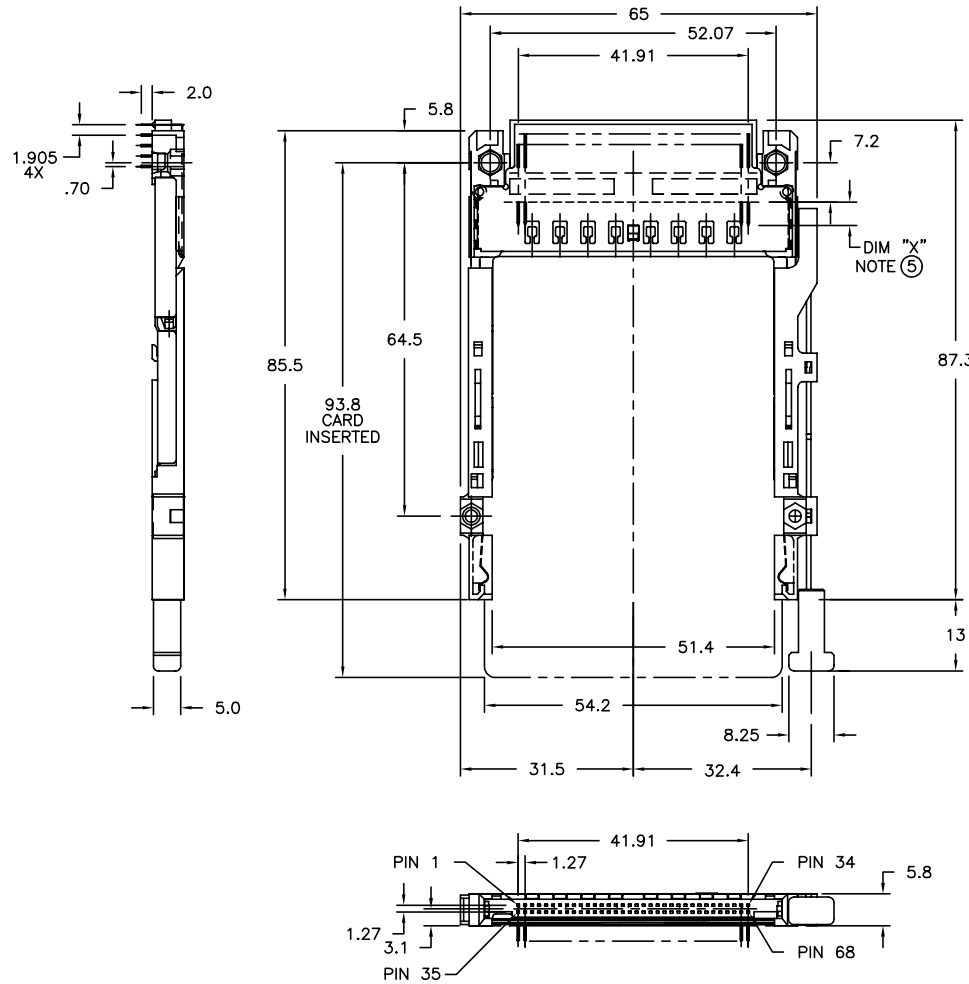


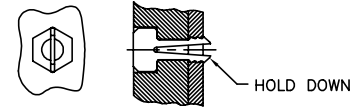
PRODUCT NO.  
72206-000CA/000CALF  
NOTE ⑧



NOTES:

- 1 8mm MIN CARD EJECT.
- 2 PUSH-ROD TRAVEL: 9.5mm
- 3 MATERIAL:
  - 3.1 HEADER ASSY:  
PLASTIC HOUSING: HIGH TEMPERATURE THERMOPLASTIC UL94V-0 BLACK - ABOVE PCB  
PIN: PHOSPHOR BRONZE
  - 3.2 EJECT MECHANISM ASSY:  
PLASTIC GUIDE: HIGH TEMPERATURE THERMOPLASTIC UL94V-0 BLACK  
PLASTIC PUSH-ROD BUTTON: HIGH TEMPERATURE THERMOPLASTIC UL94V-0 BLACK  
COVER PLATE, EJECT PLATE, LINK ARM,  
PUSH ROD: STAINLESS STEEL  
EMI CONTACT: PHOSPHOR BRONZE
- 4 FINISH (PIN)  
UNDER PLATING: 0.5um MIN Ni  
CONTACT AREA: 0.076 um MIN. GOLD  
  
SOLDER TAIL: 2.5umMIN Sn-Pb FOR TIN LEAD OPTION  
2.5umMIN PURE TIN FOR LEAD FREE OPTION
- ⑤ DIM "X"
 

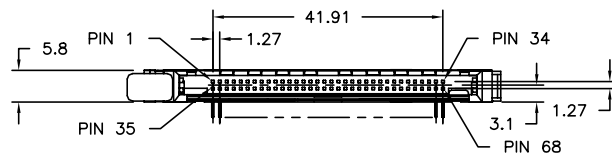
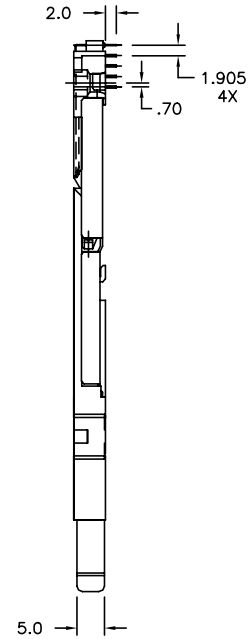
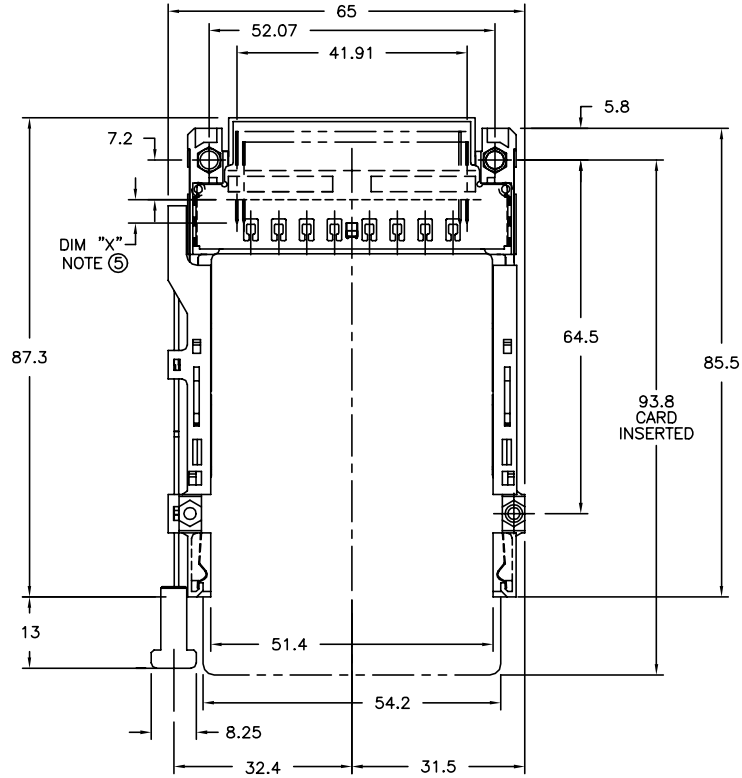
4.25±0.1	3.5±0.1	5.0±0.1
OTHERS	36,67	1,17,34,35,51,68
- 6 RECOMMENDED HOLD DOWN - 2mm SCREWS (95121-001) AND NUTS (92869-001).  
RECOMMENDED SCREW TORQUE: 1.0 TO 1.5 MAX in-lbs. (1.2-1.7 cm-kgs).
- 7 SEE SHEET 3 FOR PCB LAYOUT INFORMATION.
- ⑧ ADD "H" TO PART NUMBER FOR OPTIONAL HOLD DOWN (2 PER EJECT MECHANISM).



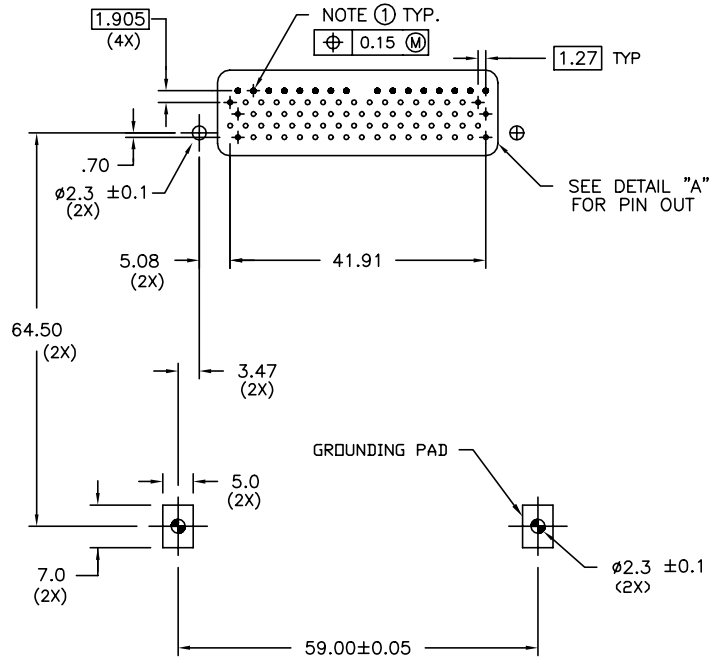
- 9 IF LEAD FREE P/N.THE HOUSING WILL WITHSTAND EXPOSURE TO 260°C PEAK TEMPERATURE FOR 10 SECONDS IN A WAVE SOLDER APPLICATION WITH A 1.00MM MINIMUM THICK CIRCUIT BOARD.
- 10 IF LEAD FREE P/N.THE PRODUCT MEETS EUROPEAN UNION DIRECTIVES AND OTHER COUNTRY REGULATIONS AS DISCRIBED IN GS-22-008
- 11 LEAD FREE P/N PACKAGING MEETS GS-14-920 SPECIFICATION
- 12 PRODUCT SPEC:110-263

mat'l. code		surface <input checked="" type="checkbox"/> ISO1302 <input checked="" type="checkbox"/> tolerance <input checked="" type="checkbox"/> ISO1101 <input checked="" type="checkbox"/> ISO406		projection	product family	
l trechn nodr date		tolerances unless other			MCS	
E	V12164	TFG	8/16/01	angle	R/A CARDBUS SINGLE	
F	N05-0054	WB	03/02/05	0°±2'	DECK ASSEMBLY	
G	BLX-N-011408	ZK	04/02/12	0°±2'	scale 1:1	
		dr		R.GRAPE	4/29/96	dwg no
		enr		D.BRANN	4/29/96	sheet 1 of 3
		chr		D.BRANN	4/29/96	size
		appd		D.BRANN	4/29/96	A4
sheet		revisio		type		Product Customer Drawing
index	sheet	1	2			

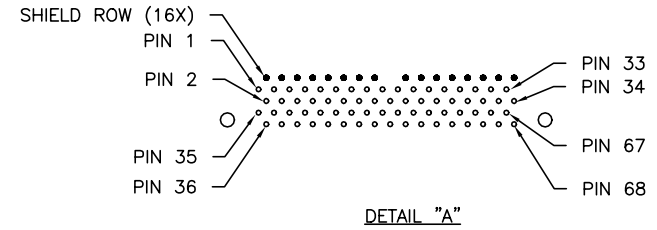
PRODUCT NO.  
72206-100CA/100CALF  
NOTE ③



mat'l. code	surface ISO1302	tolerance ISO1101 ISO406	projection ASME Y14.5	product family MCS
ltr ecn nodr date	tolerances unless otherwise specified		MM	R/A CARDBUS SINGLE DECK ASSEMBLY
g	angle	0.X±0.3	scale 1:1	dwg no 72206 sheet 2 of 3 size A4
	0°±2'	0.XX±0.13		FCI
		0.XXX±0.051		type Product Customer Drawing
dr	R.GRAPE	4/29/96		
enr	D.BRANN	4/29/96		
chr	D.BRANN	4/29/96		
appd	D.BRANN	4/29/96		
sheet index	revision sheet			



P.C.B. LAYOUT



NOTES:

- ① RECOMMENDED DIAMETER IS  $\phi$ 1.0. FOR PROCESSES USING PASTE REFLOW, HOLE MAY BE AS SMALL AS  $\phi$ 0.79.
- 2 ALL TOLERANCES  $\pm$ 0.15 UNLESS NOTED.

mat'l. code		surface ISO1302 ✓		tolerance ISO1101 ISO406		projection 		product family MCS	
l trechn nodr		date		tolerances unless otherwise specified		MM		R/A CARDBUS SINGLE DECK ASSEMBLY	
g		angle		0.X±0.3		scale 1:1		dwg no	
		0°±2'		0.XX±0.13				sheet 3 of 3	
		dr		R.GRAPE 4/29/96				size A4	
		enr		D.BRANN 4/29/96				72206	
		chr		D.BRANN 4/29/96				type	
		appd		D.BRANN 4/29/96				Product Customer Drawing	
sheet index	revision sheet								