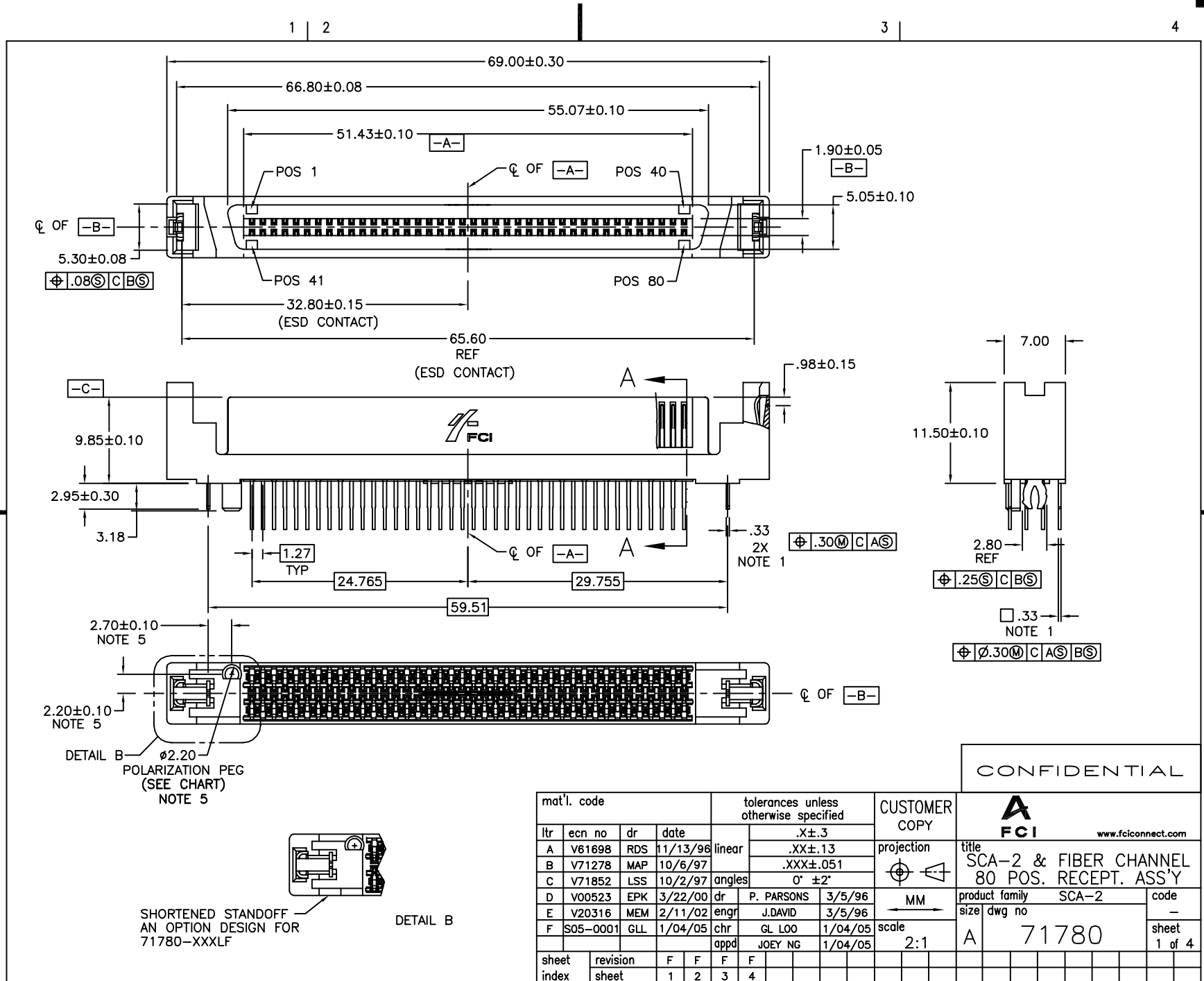


Tous droits strictement reserves. Reproduction ou communication a des tiers interdite sous quelque forme que ce soit sans autorisation ecrite du proprietaire. Propriete de c FCI. Droits de reproduction FCI.

All rights strictly reserved. Reproduction or issue to third parties in any form whatever is not permitted without written authority from the proprietor. Property of FCI. Copyright FCI.



CONFIDENTIAL

FCI www.fciconnect.com

title SCA-2 & FIBER CHANNEL 80 POS. RECEPT. ASS'Y

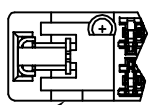
product family SCA-2 code -

size dwg no A 71780 sheet 1 of 4

scale 2:1

mat'l. code				tolerances unless otherwise specified			CUSTOMER COPY
ltr	ecn no	dr	date	linear	.XX±.3		
A	V61698	RDS	11/13/98		.XX±.13		
B	V71278	MAP	10/6/97	angles	.XXX±.051		MM
C	V71852	LSS	10/2/97		0° ±2°		
D	V00523	EPK	3/22/00	dr	P. PARSONS	3/5/96	scale
E	V20316	MEM	2/11/02	engr	J.DAVID	3/5/96	
F	S05-0001	GLL	1/04/05	chr	GL L00	1/04/05	2:1
				appd	JOEY NG	1/04/05	
sheet index	revision sheet	F 1	F 2	F 3	F 4		

SHORTENED STANDOFF AN OPTION DESIGN FOR 71780-XXXLF



DETAIL B

cage code 22526

ACAD

PDM: Rev:F

STATUS:Released

Printed: Mar 11, 2011

Tous droits strictement reserves. Reproduction ou communication a des tiers interdite sous quelque forme que ce soit sans autorisation ecrite du proprietaire. Propriete de c FCI. Droits de reproduction FCI.

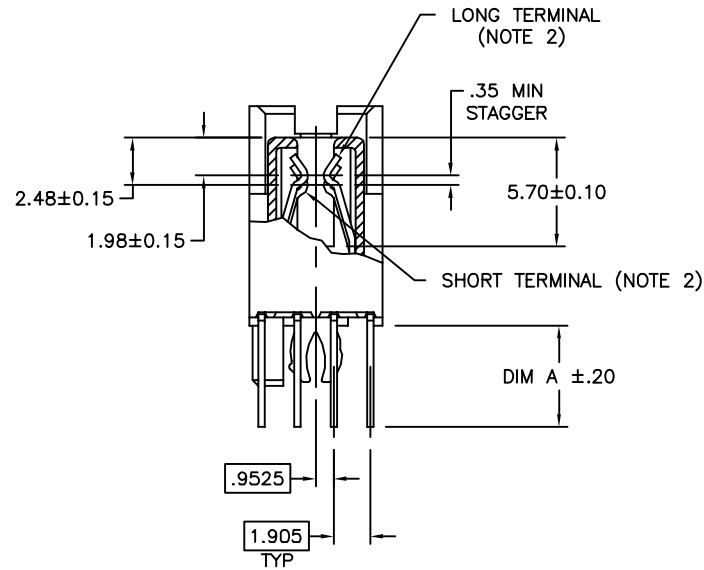


All rights strictly reserved. Reproduction or issue to third parties in any form whatever is not permitted without written authority from the proprietor. Property of FCI. Copyright FCI.

1 | 2

3 |

4



SECTION A-A

CONFIDENTIAL

mat'l. code				tolerances unless otherwise specified			CUSTOMER COPY		 www.fciconnect.com	
ltr	ecn no	dr	date	linear	.X±.3		projection	 title SCA-2 & FIBER CHANNEL 80 POS. RECEPT. ASS'Y		
F					.XX±.13					
					.XXX±.051					
				angles	0° ±2°		 MM scale 3:1	product family SCA-2		code
				dr	P. PARSONS	3/5/96		size	dwg no	
				enfr	J. DAVID	3/5/96		A 71780		sheet
				chr	GL L00	1/04/05				2 of
				appd	JOEY NG	1/04/05				
sheet index	revision sheet									

1 | 2

3 |

4

ACAD

cage code
22526

PDM: Rev:F

STATUS: Released

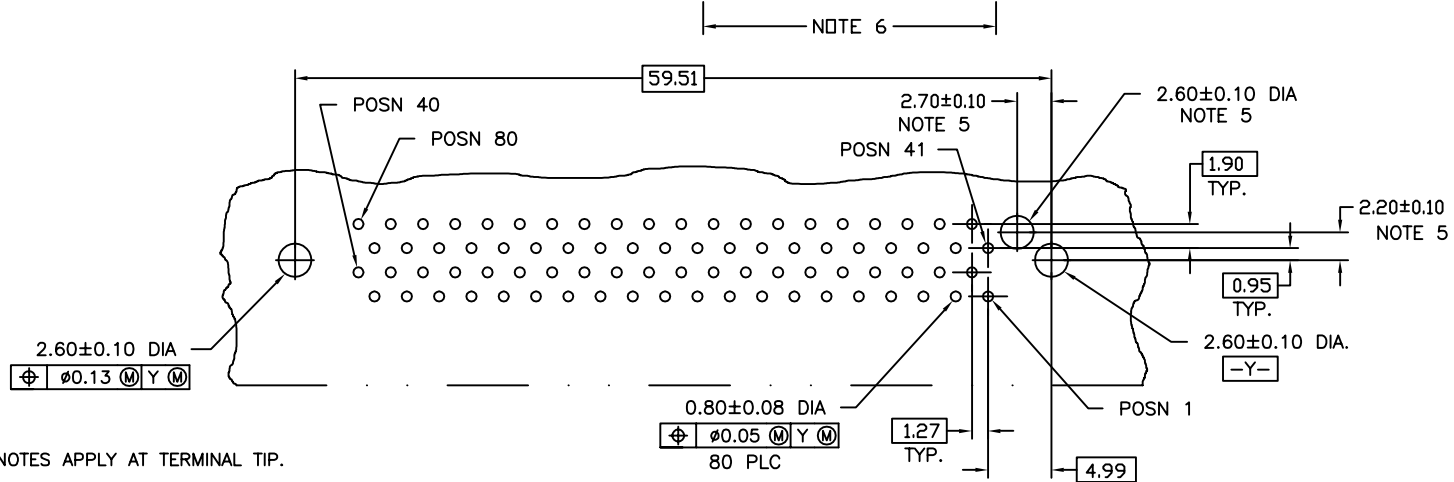
Printed: Mar 11, 2011

Tous droits strictement reserves. Reproduction ou communication a des tiers interdite sous quelque forme que ce soit sans autorisation ecrite du proprietaire. Propriete de c FCI. Droits de reproduction FCI.

FCI

All rights strictly reserved. Reproduction or issue to third parties in any form whatever is not permitted without written authority from the proprietor. Property of FCI. Copyright FCI.

PRODUCT NO.	"A" DIM	POLARIZATION PEG	PLATING	RECOMMENDED P.C. BOARD THICKNESS	PRODUCT NO.	PLATING
71780-001	2.79	YES		1.57mm (0.062")	71780-101	NOTE ⑥
-002	2.79	NO			-102	
-003	3.18	YES	NOTE ④	2.36mm (0.093")	-103	
-004	3.18	NO			-104	
-005	4.06	YES		3.18mm (0.125")	-105	
71780-006	4.06	NO			71780-106	



NOTES :

- ① TRUE POSITION NOTES APPLY AT TERMINAL TIP.
- ② CONTACTS IN POSITIONS 2 THRU 35, 44 AND 47 THRU 74 ARE SHORT TERMINALS. CONTACTS IN POSITIONS 1, 36 THRU 43, 45, 46, AND 75 THRU 80 ARE LONG TERMINALS.
- ③ RAW MATERIALS:
HOUSING: HTN, UL94V-0, COLOR: BLACK
CONTACTS: PHOSPHOR-BRONZE
- ④ CONTACT PLATING: 30u" (0.76um) MIN. GXT PLATING OVER 50u" (1.27um) NICKLE MIN. UNDERPLATE IN CONTACT AREA. 100u" (2.54um) MIN. TIN-LEAD PLATING OVER 50u" (1.27um) MIN. NICKLE UNDERPLATE IN P.C. BOARD LEG AREA. 50u" (1.27um) MIN. NICKLE UNDERPLATE OVER REMAINING AREA.
- ⑤ DIMENSIONS DO NOT APPLY TO CONNECTOR STYLES WITHOUT POLARIZATION PEG. (SEE CHART)
- ⑥ CONTACT PLATING: 30u" (0.76um) MIN. GOLD PLATING OVER 50u" (1.27um) NICKLE MIN. UNDERPLATE IN CONTACT AREA. 100u" (2.54um) MIN. TIN-LEAD PLATING OVER 50u" (1.27um) MIN. NICKLE UNDERPLATE IN P.C. BOARD LEG AREA. 50u" (1.27um) MIN. NICKLE UNDERPLATE OVER REMAINING AREA.

RECOMMENDED PC BOARD MOUNTING DIMENSIONS COMPONENT SIDE

CONFIDENTIAL

mat'l. code				tolerances unless otherwise specified		CUSTOMER COPY		FCI		www.fciconnect.com				
ltr	ecn no	dr	date	linear	.X±.3	projection			title SCA-2 & FIBER CHANNEL 80 POS. RECEPT. ASS'Y		product family SCA-2		code -	
F				angles	.XX±.13									
					.XXX±.051									
				dr	0° ±2°	MM	size		dwg no		sheet			
				engr	P. PARSONS 3/5/96	scale	A		71780		3 of			
				chr	J. DAVID 3/5/96									
				appd	GL L00 1/04/05									
					JOEY NG 1/04/05									
sheet index	revision sheet													

cage code 22526

ACAD

PDM: Rev:F

STATUS: Released

Printed: Mar 11, 2011

Tous droits strictement reserves. Reproduction ou communication a des tiers interdite sous quelque forme que ce soit sans autorisation ecrite du proprietaire. Propriete de c FCI. Droits de reproduction FCI.



All rights strictly reserved. Reproduction or issue to third parties in any form whatever is not permitted without written authority from the proprietor. Property of FCI. Copyright FCI.

PRODUCT NO.	"A" DIM	POLARIZATION PEG	PLATING	RECOMMEDED P.C. BOARD THICKNESS	PRODUCT NO.	PLATING
71780-001LF	2.79	YES	NOTE ⑧	1.57mm (0.062")	71780-101LF	NOTE ⑦
-002LF	2.79	NO			-102LF	
-003LF	3.18	YES		2.36mm (0.093")	-103LF	
-004LF	3.18	NO			-104LF	
-005LF	4.06	YES		3.18mm (0.125")	-105LF	
71780-006LF	4.06	NO			71780-106LF	

NOTE 7

NOTES :

- ⑦ CONTACT PLATING: 30u" (0.76um) GOLD PLATING OVER 50u" (1.27um) NICKLE UNDERPLATE IN CONTACT AREA. 100u" (2.54um) - 200u"(5.08um) TIN PLATING OVER 50u" (1.27um) -100u" (2.54um) NICKEL UNDERPLATE IN P.C. BOARD LEG AREA. 50u" (1.27um) NICKEL UNDERPLATE OVER REMAINING AREA.
- ⑧ CONTACT PLATING: 30u" (0.76um) GXT PLATING OVER 50u" (1.27um) NICKLE UNDERPLATE IN CONTACT AREA. 100u" (2.54um) - 200u"(5.08um) TIN PLATING OVER 50u" (1.27um) -100u" (2.54um) NICKEL UNDERPLATE IN P.C. BOARD LEG AREA. 50u" (1.27um) NICKEL UNDERPLATE OVER REMAINING AREA.
- ⑨ THE HOUSING WILL WITHSTAND EXPOSURE TO 260° C PEAK TEMPERATURE FOR 10 SECONDS IN A WAVE SOLDER APPLICATION WITH A 1.57MM THICK CIRCUIT BOARD.
- ⑩ THIS PRODUCT MEETS EUROPEAN UNION DIRECTIVES AND OTHER COUNTRY REGULATIONS AS DESCRIBED IN GS-22-008.

CONFIDENTIAL

mat'l. code				tolerances unless otherwise specified			CUSTOMER COPY		 www.fciconnect.com		
ltr	ecn no	dr	date	linear	.XX±.13			projection	title		
F					.XXX±.051				SCA-2 & FIBER CHANNEL		
					angles	0° ±2°			80 POS. RECEPT. ASS'Y		
				dr	P. PARSONS	3/5/96	MM		product family	SCA-2	code
				enfr	J. DAVID	3/5/96			size	dwg no	
				chr	GL L00	1/04/05			A	71780	sheet
				appd	JOEY NG	1/04/05	scale	2:1		4 of 4	
sheet index	revision sheet										

cage code 22526

ACAD