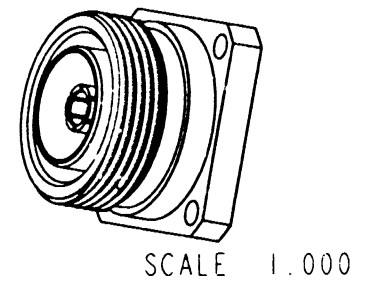
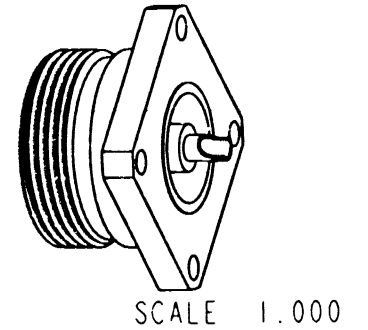
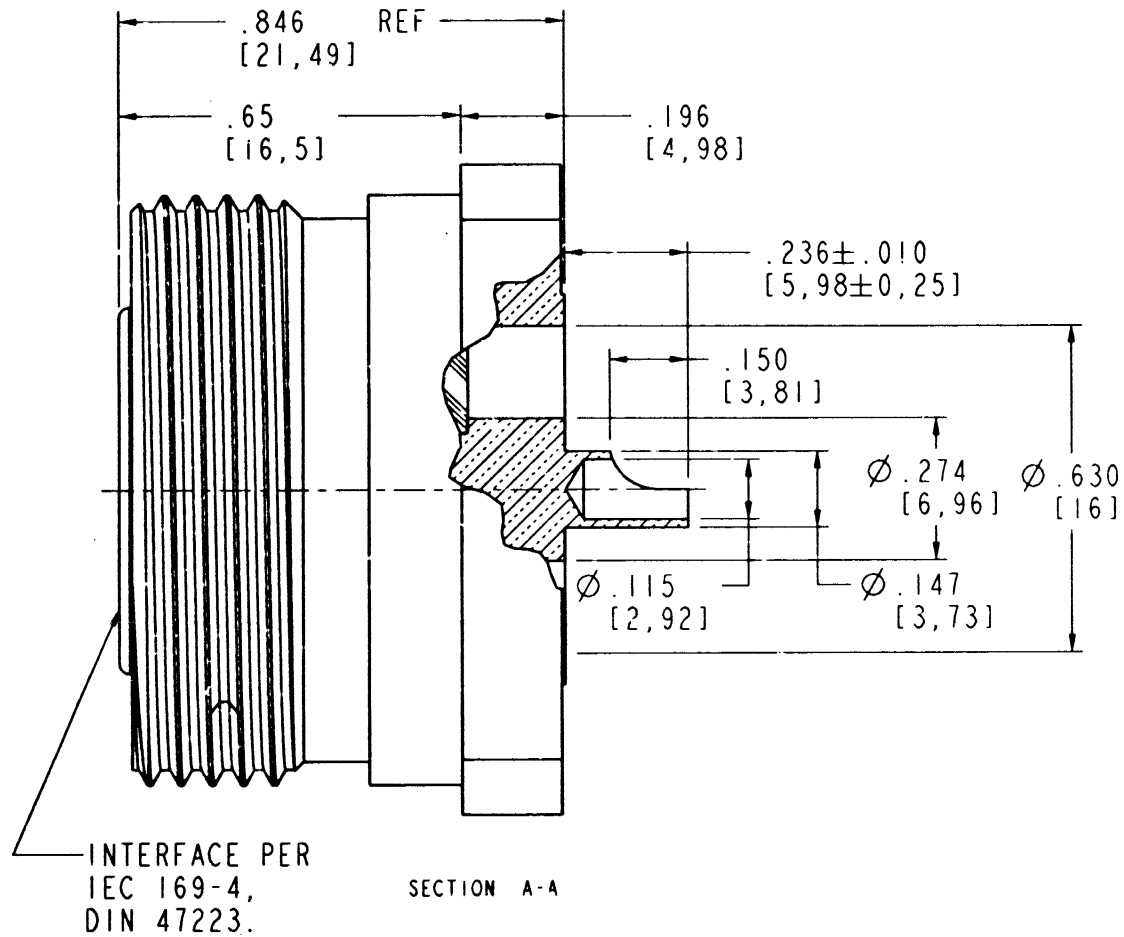
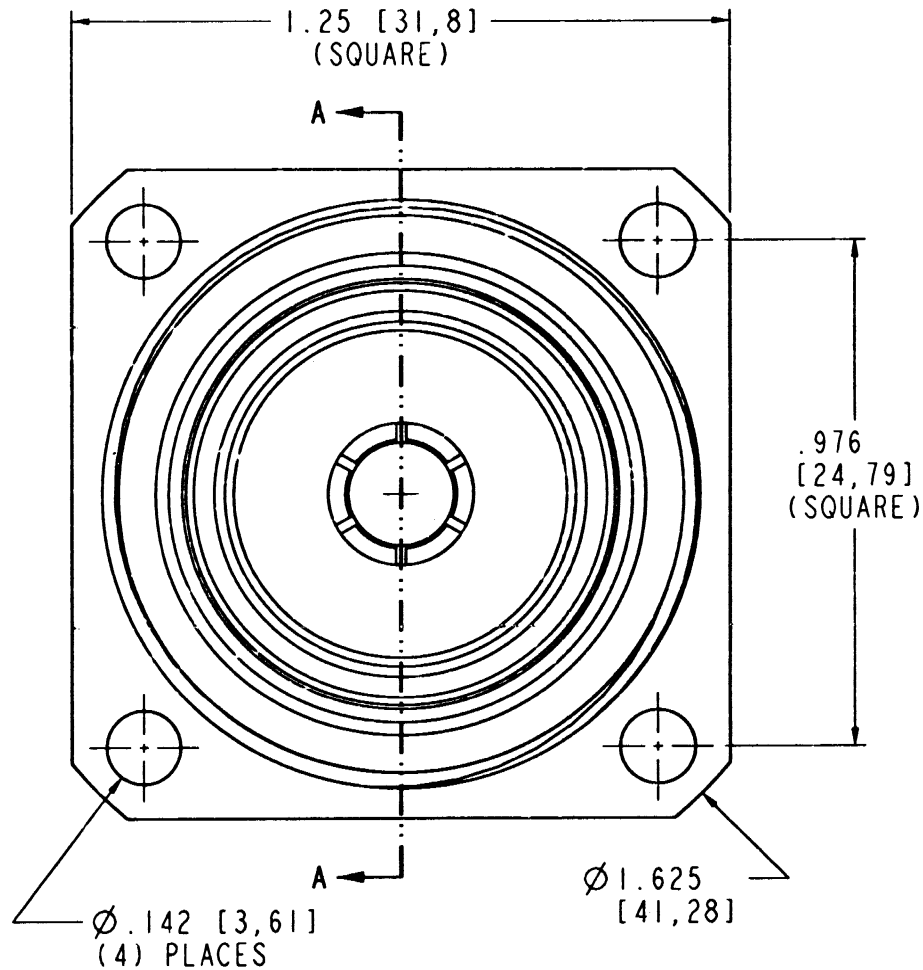


NOTES:

1. MATERIALS OF CONSTRUCTION
 - BODY - BRASS, WHITE BRONZE PLATING
 - CONTACT (ONE PIECE) - BeCu, SILVER PLATED
 - INSULATOR - PTFE
2. ELECTRICAL
 - A. VSWR (RETURN LOSS), MINIMUM
 - DC - 2GHz: 1.05 (32 dB)
 - B. THIRD ORDER INTERMODULATION DISTORTION, MAXIMUM
 - 120 dBm WITH 2 +43 dBm CARRIERS (-163 dBc)

716-24		REVISIONS			
DRAWING NO.	REV	DESCRIPTION	DATE	ECO	APPR
THIRD ANGLE PROJ.	A	OFFICIAL ENG. RELEASE TO MFG.	11/8/95	42300	ORB



716-24-0001	1	1	716 (F) RECEPTACLE	SEE S/A
PART NUMBER	QTY.	ITEM	DESCRIPTION	FINISH

UNLESS OTHERWISE SPECIFIED, DIMENSIONS ARE IN INCHES AND TOLERANCES ARE:
 2 PLACE DECIMAL 3 PLACE DECIMAL ANGLES
 ±.015 (0.381 mm) ±.005 (0.127 mm) ± 1°

NOTICE - These drawings, specifications, or other data (1) are, and remain the property of Amphenol Corp. (2) must be returned upon request; and (3) are confidential and not to be disclosed to any person other than those to whom they are given by Amphenol Corp. The furnishing of these drawings, specifications, or other data by Amphenol Corp., or to any other person to anyone for any purpose is not to be regarded by implication or otherwise in any manner licensing, granting rights or permitting such holder or any other person to manufacture, use or sell any product, process or design, patented or otherwise, that may in any way be related to or disclosed by said drawings, specifications, or other data.

MATERIAL

REFERENCE
 GEN# ASSYF22-716
 EAR 966519-3
 MODEL# 716-24

DRAWN OWEN BARTHELME DATE 02-Dec-97
 ENGINEER OWEN BARTHELME DATE 02-Dec-97
 APPROVED *[Signature]* DATE 11/1/94
 CAD FILE 1:\716\716-24

TITLE
 716 (F) PANEL MOUNT RECEPTACLE

CODE ID 74868 DWG SIZE B DRAWING NO 716-24

Amphenol
 Amphenol Corporation
 Communication and Network
 Products Division
 Danbury, CT U.S.A. 06810

SCALE: 3.0:1 SHEET 1 OF 1

REV A