

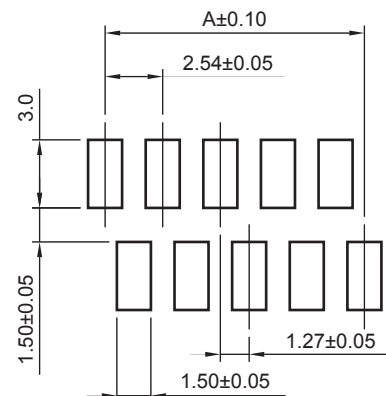
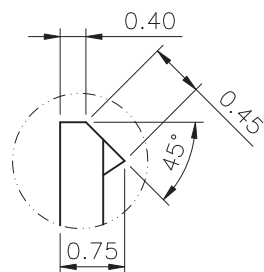
1

2

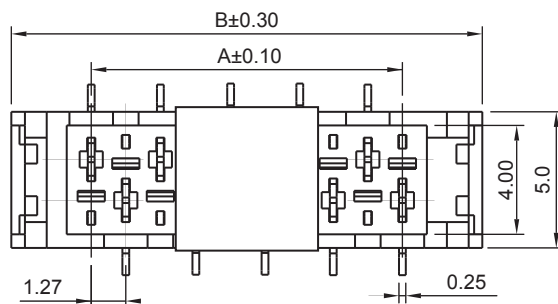
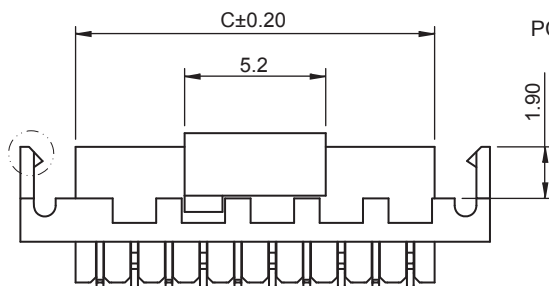
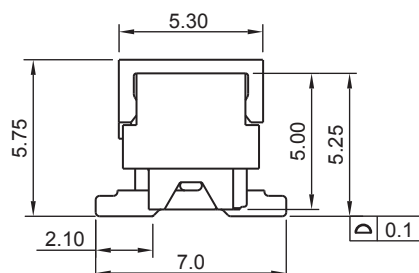
3

4

5



PCB LAYOUT - COMPONENT VIEW



## TECHNICAL CHARACTERISTICS

## MATERIAL

HOUSING MATERIAL: PA6T

FLAMABILITY RATING: UL94-V0

COLOR: RED

CONTACT MATERIAL: PHOSPHOR BRONZE

CONTACT TYPE: STAMPED

CONTACT PLATING: MATT TIN OVER NICKEL

QUALITY CLASS: 25 MATING CYCLES

PITCH: 2.54 MM PER ROW

## ENVIRONMENTAL

OPERATING TEMPERATURE: -40°C UP TO 105°C

COMPLIANCE: LEAD FREE AND ROHS

## ELECTRICAL

CURRENT RATING: 1.5 A PER PIN (PCB PIN)

WORKING VOLTAGE: 100 VAC

INSULATION RESISTANCE: &gt;1000 MOHM

DIELECTRIC WITHSTANDING VOLT.: 500 VAC/MN

CONTACT RESISTANCE: 10 mOHM MAX

## STANDARD

 CERTIFIED: E323964

## SOLDERING

JEDEC LEAD FREE REFLOW SOLDERING

## PACKAGING

TAPE &amp; REEL

## DIMENSION

A= 1.27 x (Nb PIN - 1)

B= DIM.A + 5.87

C= DIM.A + 1.80

RoHS Compliant

PROJECTION:



GENERAL TOLERANCE

.X = +/- 0.2

.XX = +/- 0.15



APPROVAL: GMo

UNIT: MM

SCALE:

SHEET: 1/3

DRAW: EAGER

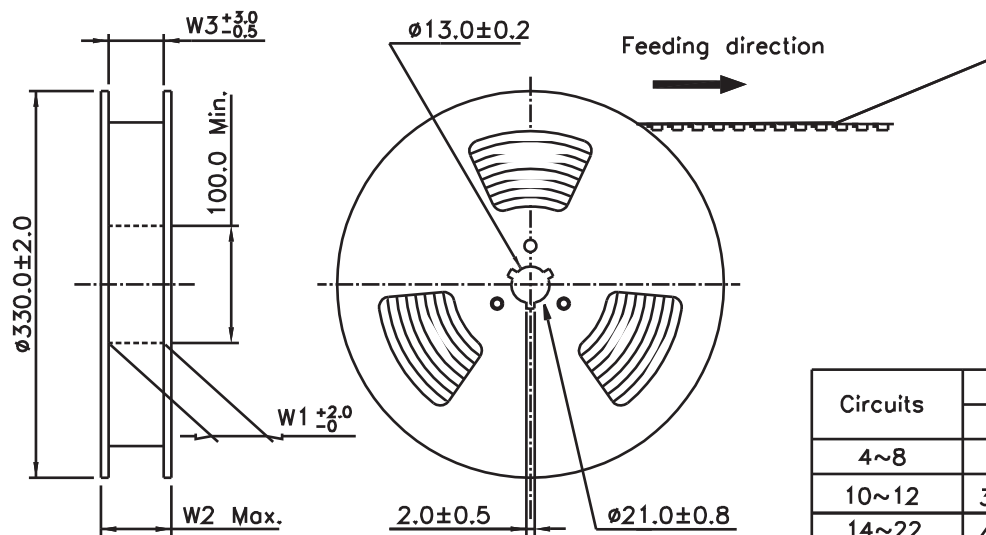
DESCRIPTION: MM FEMALE SMT CONNECTOR WITH LATCH AND POLARIZATION

WERI PART NO: 690 367 29 xx 76

SIZE

A4

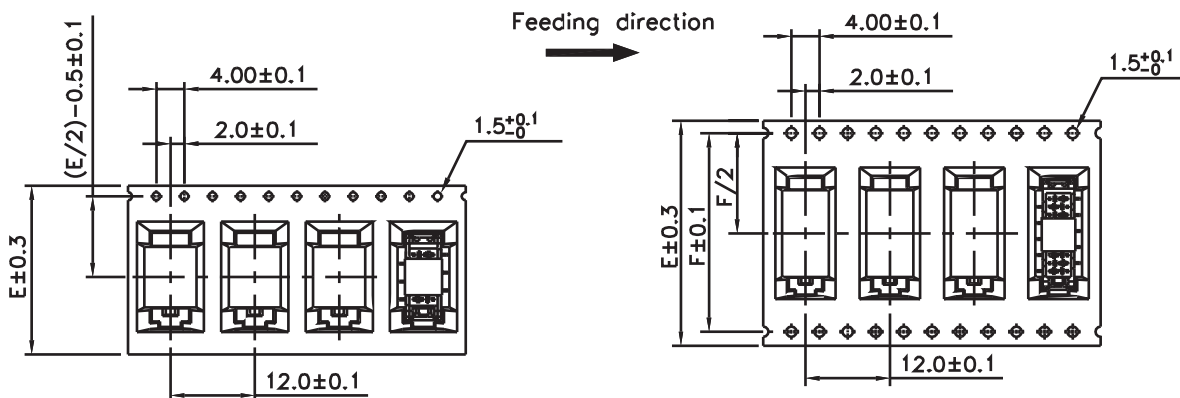
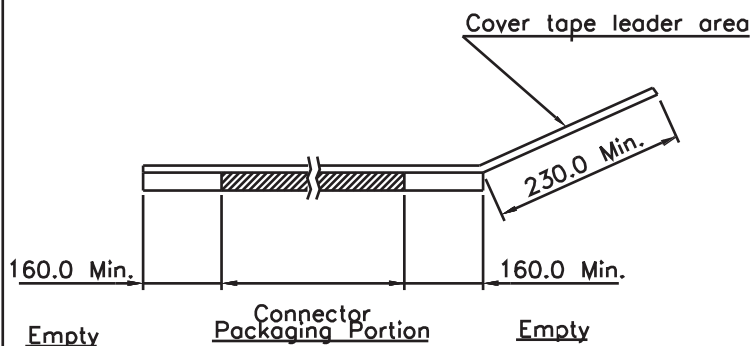
G	29-APR-16	ZOOM BEVEL	AK
E	17-FEB-10	NEW CAP	JP
D	17-NOV-09	DIMENSION	JP
C	10-AUG-09	LATCH SHAPE	CH
B	27-NOV-07	MODIFICATIONS	EC
A	03-NOV-06	PDF	JP
REV	DATE	FILE	BY



**NOTES:**

1. 10 sprocket hole pitch cumulative tolerance ±0.20mm.
2. Carrier camber not to exceed 1 mm in 100 mm.
3. Material :Transparent Anti-static Polysyrene.
4. All dimensions meet EIA-481-3 requirements.
5. Thickness : 0.40±0.05mm.
6. Packing length per 22" Reel : 30.6 Meters.
7. Component load per 13" Reel : 800 pcs.

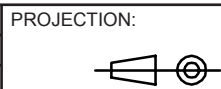
Circuits	Dimension					Packing (Reel/Caton)
	E	F	W1	W2	W3	
4~8	24.0(.945)	-	24.5(.965)	30.5(1.201)	24.5(.965)	9
10~12	32.0(1.260)	28.40(1.118)	32.5(1.280)	38.5(1.516)	32.5(1.280)	7
14~22	44.0(1.732)	40.40(1.596)	44.5(1.752)	50.5(1.988)	44.5(1.752)	5
24~26	56.0(2.205)	52.40(2.063)	56.5(2.224)	62.5(2.461)	56.5(2.224)	4



**For With Latch Type**  
**WIDTH : 24 mm Carrier**

**For With Latch Type**  
**WIDTH : 32.44.56 mm Carrier**

RoHS Compliant			
G			
F			
E			
D			
C			
B			
A			
REV	DATE	FILE	BY



APPROVAL: Gmo

GENERAL TOLERANCE  
.X = +/- 0.2  
.XX = +/- 0.15

UNIT: MM

SCALE:

SHEET: 2/3

DRAW: EAGER

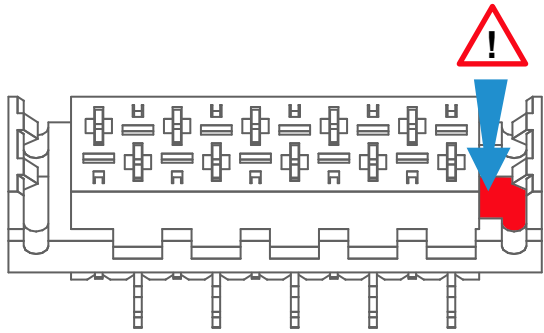


DESCRIPTION: MM FEMALE SMT CONNECTOR WITH LATCH AND POLARIZATION

WERI PART NO: 690 367 29 xx 76

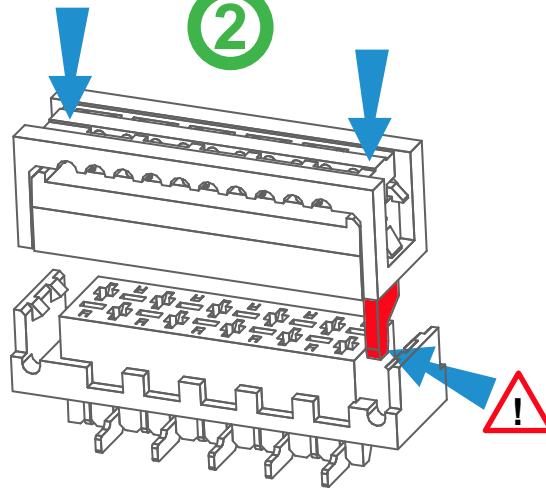
SIZE  
**A4**

1



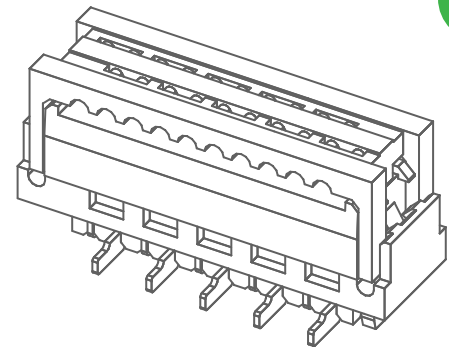
Insert through polarization

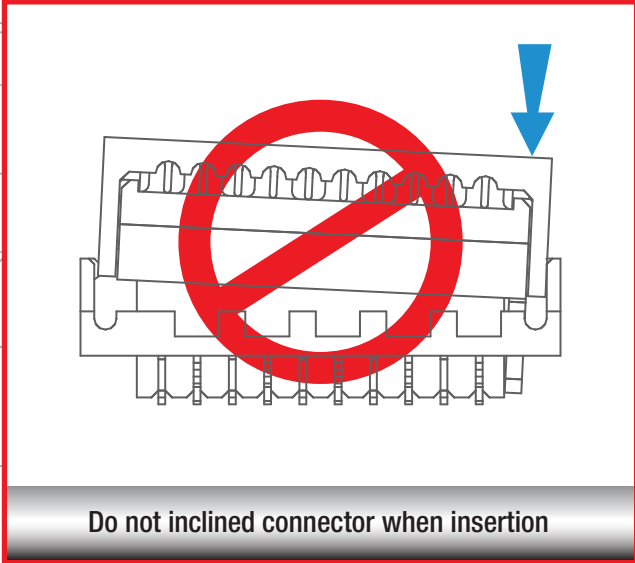
2



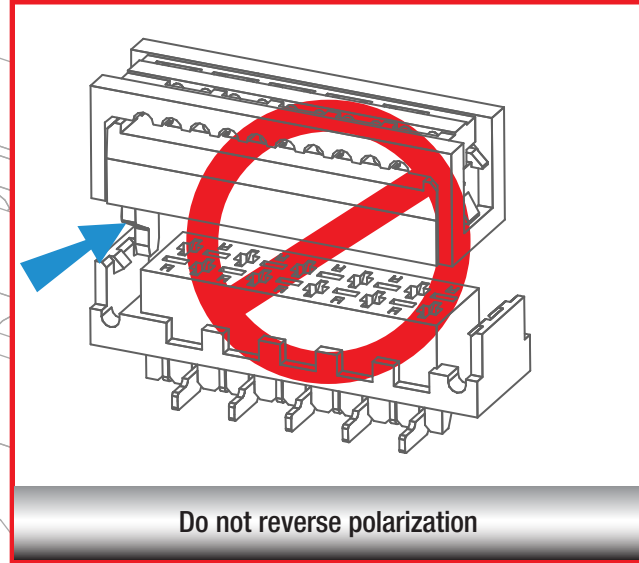
Press both ends of the connector at the same time

3

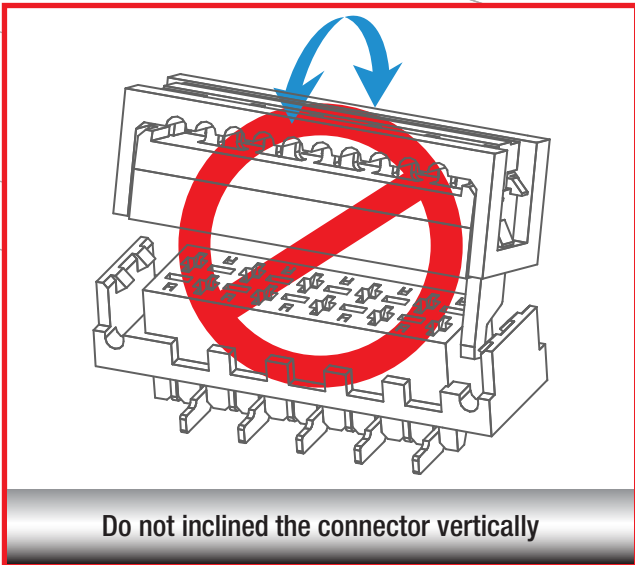




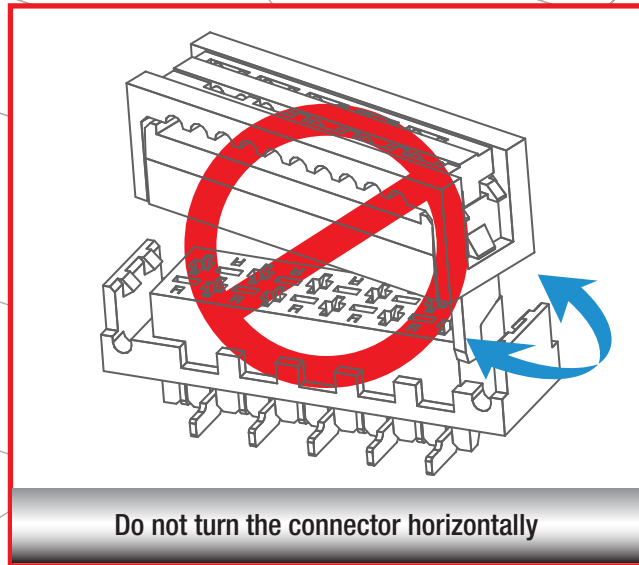
**Do not inclined connector when insertion**



**Do not reverse polarization**



**Do not inclined the connector vertically**



**Do not turn the connector horizontally**

1

2

3

4

5

## Cautions and Warnings:

This electronic component is designed and developed with the intention for use in general electronics equipments.

Before incorporating the components into any equipments in the field such as aerospace, aviation, nuclear control, submarine, transportation, (automotive control, train control, ship control), transportation signal, disaster prevention, medical, public information network etc. where higher safety and reliability are especially required or if there is possibility of direct damage or injury to human body, Würth Elektronik must be asked for a written approval.

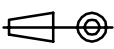

In addition, even electronic component in general electronic equipments, when used in electrical circuits that require high safety, reliability functions or performance, the sufficient reliability evaluation-check for the safety must be performed before by the user before usage.

A

B

C

RoHS Compliant

G				PROJECTION: 	GENERAL TOLERANCE .X = +/- 0.2 .XX = +/- 0.15		
F							
E							
D							
C				APPROVAL: JC	UNIT: MM	DESCRIPTION: DISCLAIMER	SIZE <b>A4</b>
B					SCALE:		
A	10-SEP-14	PDF	QL		SHEET: 3/3	WERI PART NO: DISCLAIMER	
REV	DATE	FILE	BY		DRAW: QL		

D