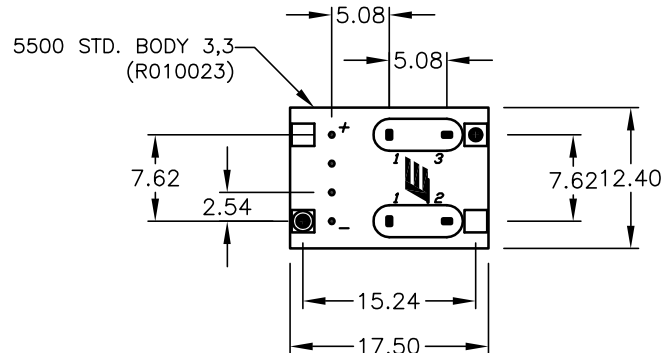
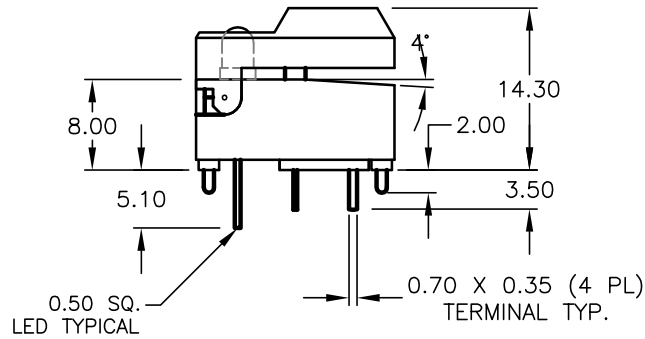
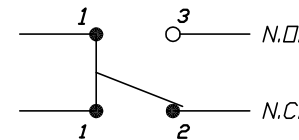


RECOMMENDED P.C.B. LAYOUT



LED SPECIFICATION	SYMBOL	YEL L.E.D		UNITS	
		MAX.	MIN.		TYP.
POWER DISSIPATION	P _D	100	--		mW
FORWARD VOLTAGE	V _F	2.8	1.8	2.1	V
REVERSE VOLTAGE	V _R	5			V
EMISSION WAVELENGTH	λ _P			590	nm
AVE. FORWARD CURRENT	I _{AF}	30	--		mA
REVERSE CURRENT	I _R	100	--		μA
LUMINOUS INTENSITY	I _v	5.0		12.0	mcd



NOTES:

1. ALL DIMENSIONS IN MM
2. GENERAL TOLERANCE: X.X=±0.4
X.XX=±0.25
3. TERM. NO. FOR REF. ONLY
4. RATING: 12mA @24V
5. FIXED CONTACT/MOVING CONTACT:
COPPER ALLOY W/GOLD PLATE
6. CONTACT BOUNCE: <5m SEC.
7. CONTACT RESISTANCE: <50milli-OHMS
8. TRAVEL: 2.5±0.2mm
9. OPERATING TEMP. RANGE: -20°C to +80°C

E-SWITCH®

A	13569	RELEASED FOR PRODUCTION	11/3/03	AR
REV.	ECN No.	DESCRIPTION	DATE	CHKD

TITLE				
5501-M-1-3 ,3				
SCALE	DATE	DR	DWG	REV
1.5:1	11/3/03	AR	XR0178P	A

THE INFORMATION CONTAINED IN THIS DOCUMENT IS PROPRIETARY TO E-SWITCH AND IS NOT TO BE COPIED OR TRANSFERRED